

TDP-225/ TDP-324

THERMAL TRANSFER / DIRECT THERMAL BAR CODE PRINTER

Parts List

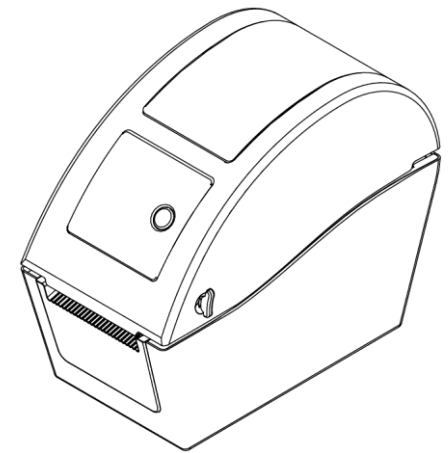
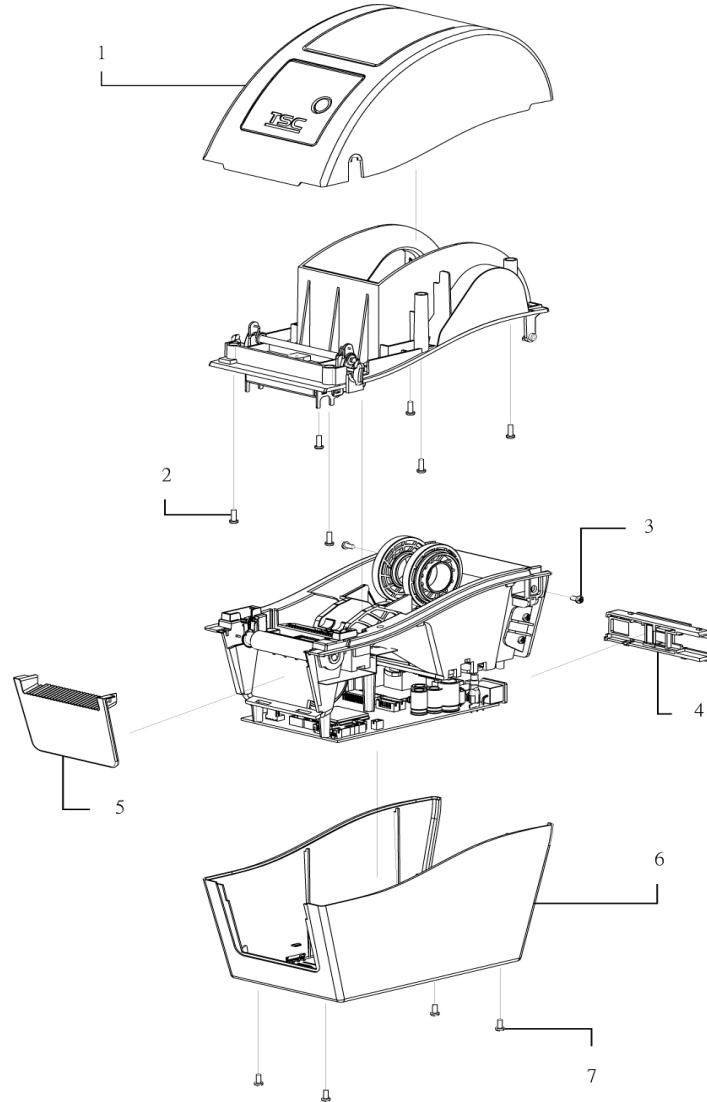


TABLE OF CONTENT

Part List	2
1 Main Printer Assemblies -1	2
2 Main Printer Assemblies -2	3
3 Top Cover Assembly	4
4 Lower Inner Cover Assembly	5
5 Main Board Assembly	6
6 Option and Accessories	7
Update History	8

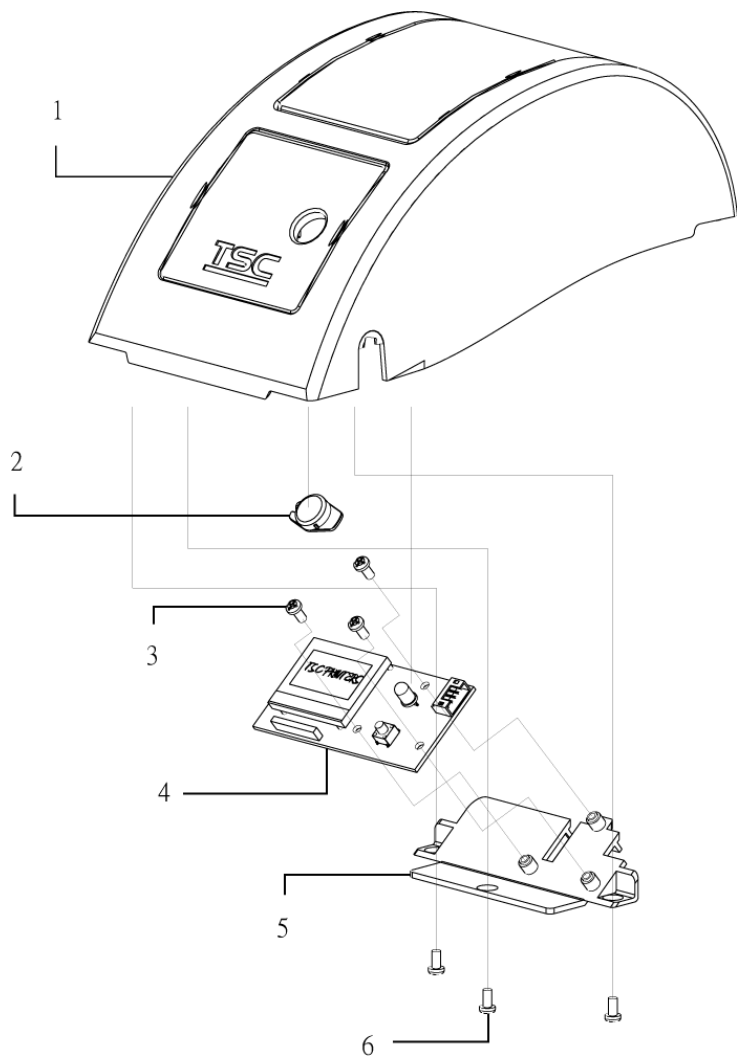
Part List

1 Main Printer Assemblies -1



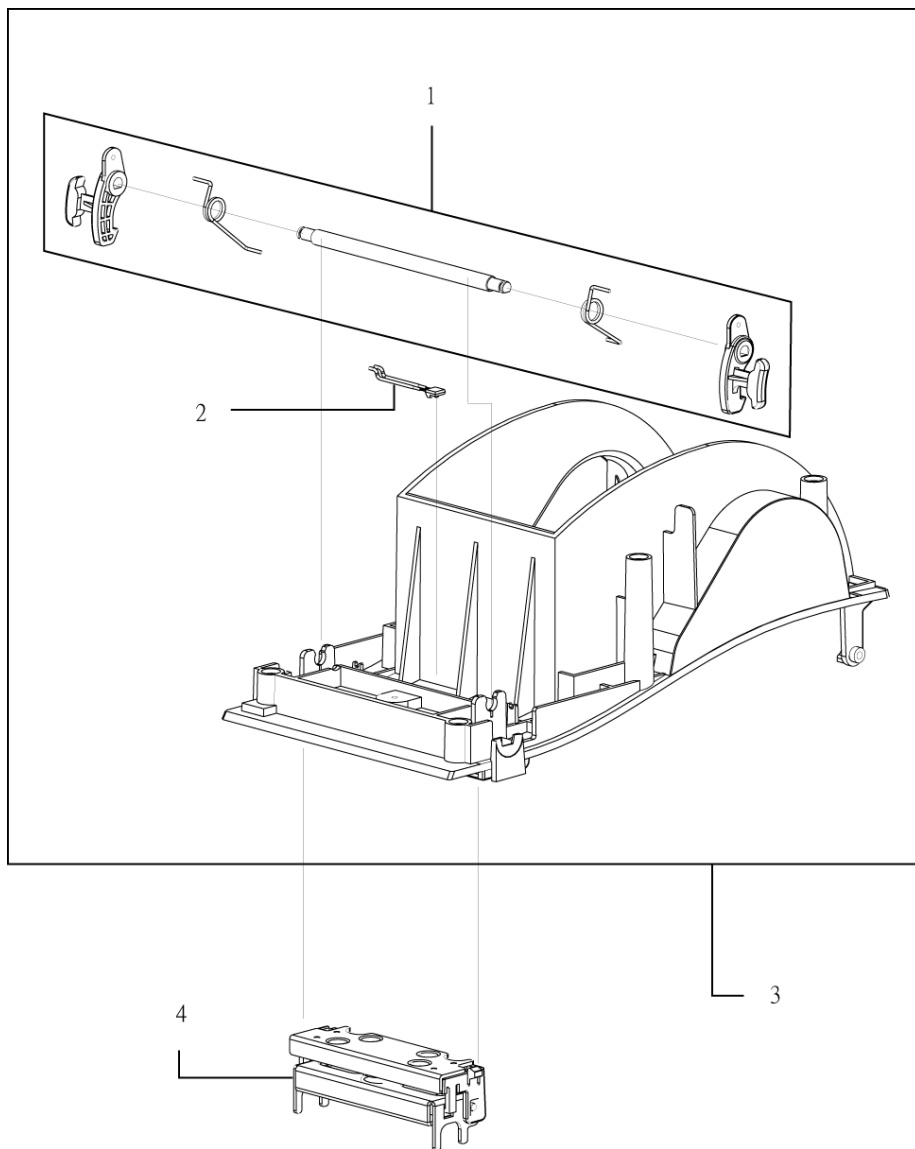
No.	Part No.	Description	Remark	Suggested Volume
1	98-0390002-00LF	Top cover assembly (Includes feed button PCB assembly) / Beige	1 set	
	98-0390002-03LF	Top cover assembly (Includes feed button PCB assembly) / Blue		
	98-0390002-06LF	Top cover assembly (Includes feed button PCB assembly with LCD module) / Beige	1 set (Option)	
	98-0390002-08LF	Top cover assembly (Includes feed button PCB assembly with LCD module) / Blue		
2	37-1403008-34LF	Screw, TP3*8, MOQ 50 pcs (For top cover & top inner cover)	6 pcs	
3	37-1403006-34LF	Screw, TP3*6, MOQ 50 pcs	2 pc	
4	30-0390015-10LF	Interface cover (Fit for RS-232 interface) / Beige	1 pc	
	30-0390015-11LF	Interface cover (Fit for RS-232 interface) / Blue		
	30-0390045-10LF	Interface cover (Fit for Ethernet interface) / Beige	1 pc (Option)	
	30-0390045-11LF	Interface cover (Fit for Ethernet interface) / Blue		
5	30-0390021-00LF	Lower front cover / Beige	1 pc	
	30-0390021-01LF	Lower front cover / Blue		
6	98-0390012-00LF	Lower cover assembly / Beige	1 set	
	98-0390012-01LF	Lower cover assembly / Blue		
7	37-1403008-34LF	Screw, TP3*8, MOQ 50 pcs (For lower cover & lower inner cover)	4 pcs	

2 Top Cover Assembly



No.	Part No.	Description	Remark	Suggested Volume
1	98-0390013-00LF	Top cover / Beige	1 pc	
	98-0390013-02LF	Top cover / Blue		
	98-0390013-01LF	Top cover (Fit for LCD module/ Beige)	1 pc (Option)	
	98-0390013-03LF	Top cover (Fit for LCD module/ Blue)		
2	30-0390009-00LF	Feed button, MOQ 5 pcs	1 pc	
3	37-1403006-34LF	Screw, TP3*6, MOQ 50 pcs	3 pcs	
4	98-0390022-10LF	Feed button PCB assembly	1 set	1%
	98-0390036-10LF	Feed button PCB assembly with LCD module	1 set (Option)	
5	30-0390032-00LF	Feed button PCB holder / Beige	1 pc	
6	37-1403006-34LF	Screw, TP3*6, MOQ 50 pcs	3 pcs	

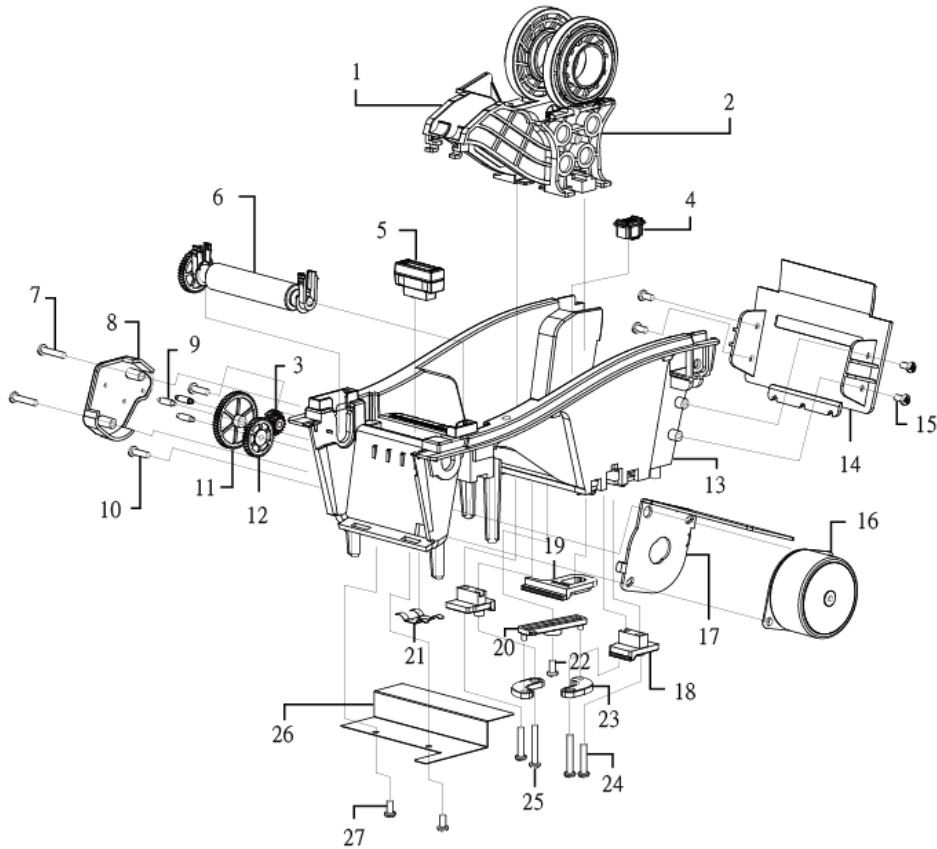
3 Top Inner Cover Assembly



No.	Part No.	Description	Remark	Suggested Volume
1	98-0390004-00LF	Top cover open lever assembly	1 set	
2	98-0390026-00LF	Gap sensor assembly (Receiver)	1 set	3%
3	98-0390003-00LF	Top inner cover assembly / Beige	1 set	
	98-0390003-01LF	Top inner cover assembly / Blue		
4	98-0390005-10LF	Print head module (203 dpi)	1 set	3%
	98-0390005-12LF	Print head module (300 dpi)	1 set	3%
N/S	98-0390204-01LF	Print head harness	1 set	

N/S : Not shown

4 Lower Inner Cover Assembly

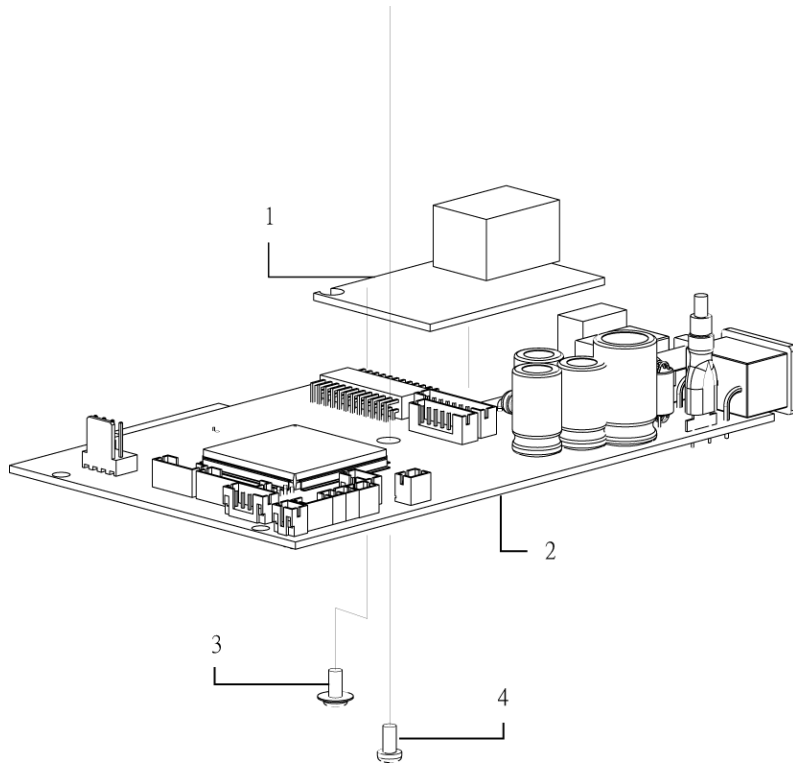


No.	Part No.	Description	Remark	Suggested Volume
1	98-0390045-00LF	Media holder ass'y (Left), MOQ 5 pcs	1 set	
2	98-0390046-00LF	Media holder ass'y (Right), MOQ 5 pcs	1 set	
3	30-0390040-00LF	Gear, 24T/16T, MOQ 5 pcs	300 dpi	
4	30-0390012-00LF	Media holder lock switch, MOQ 5 pcs	1 pc	
5	98-0390020-10LF	Media sensor assembly	1 set	3%

No.	Part No.	Description	Remark	Suggested Volume	
6	98-0390009-00LF	Platen roller assembly	1 set	2%	
7	37-1403015-32LF	Screw, TP 3*15, MOQ 50 pcs	2 pcs		
8	30-0390033-10LF	Gear cover	1 pc		
9	32-0390007-00LF	Gear shaft, MOQ 5 pcs	2 or 3 pcs		
10	37-1503008-84LF	Screw, M3*8, MOQ 50 pcs	2 pcs		
11	30-0390029-00LF	Gear, 56T, MOQ 5 pcs	1 pc		
12	30-0390027-00LF	Gear, 38T, MOQ 5 pcs	1 pc		
13	30-0390004-40LF	Lower inner cover / Beige	1 pc		
	30-0390004-41LF	Lower inner cover / Blue			
14	30-0390017-00LF	Rear cover / Beige	1 pc		
	30-0390017-01LF	Rear cover / Blue			
15	37-1403006-34LF	Screw, TP 3*6, MOQ 50 pcs	4 pcs		
16	65-0390001-00LF	Stepping motor (203 dpi)	1 pc	1%	
	65-0390002-00LF	Stepping motor (300 dpi)	1 pc	1%	
17	32-0390009-00LF	Motor heat sink (203 dpi)	1 pc		
	32-0390020-00LF	Motor heat sink (300 dpi)	1 pc		
18	30-0390024-00LF	Media holder base-1, MOQ 5 pcs	2 pcs		
19	30-0390013-00LF	Media holder lock switch base, MOQ 5 pcs	1 pc		
20	30-0390026-10LF	Media holder base-2, MOQ 5 pcs	1 pc		
21	32-0500005-00LF	Media sensor fixing plate, MOQ 5 pcs	1 pc		
22	37-1403006-34LF	Screw, TP 3*6, MOQ 50 pcs	1 pc		
23	30-0390022-00LF	Media holder base-3, MOQ 5 pcs	2 pcs		
24	37-1403015-32LF	Screw, TP 3*15, MOQ 50 pcs	2 pcs		
25	37-1403020-32LF	Screw, TP 3*20, MOQ 50 pcs	2 pcs		
26	36-0390004-00LF	Black Mylar (For media sensor slot), MOQ 5 pcs	1 pc		
27	37-1403005-32LF	Screw, TP3*5, MOQ 50 pcs	2 pcs		
5	N/S	98-0390017-00LF	Head open sensor assembly	1 pcs	

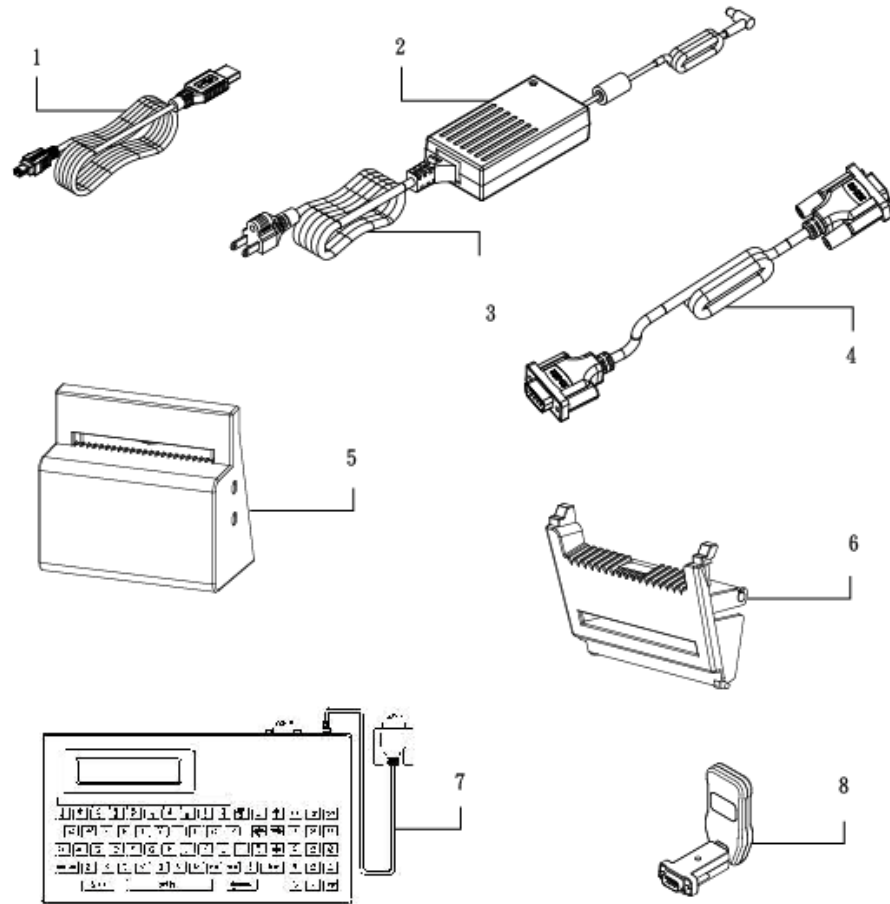
N/S : Not shown

5 Main Board Assembly



No.	Part No.	Description	Remark	Suggested Volume
1	98-0390034-10LF	RS-232 interface board	1 pc	1%
	98-0390027-00LF	RS-232 interface board assembly (Includes interface cover for RS-232) / Beige	1 set	
	98-0390027-01LF	RS-232 interface board assembly (Includes interface cover for RS-232) / Blue	1 set	
	98-0390032-00LF	Ethernet interface board assembly (Includes interface cover for Ethernet) / Beige	1 set (Option)	
	98-0390032-01LF	Ethernet interface board assembly (Includes interface cover for Ethernet) / Blue	1 set (Option)	
2	98-0390039-60LF	Main board assembly	1 set	3%
3	37-1403006-74LF	Screw, TP3x6, MOQ 50 pcs	1 pc	
4	37-1403006-34LF	Screw, TP3x6, MOQ 50 pcs	1 pc	

6 Option and Accessories



N/S : Not shown

No.	Part No.	Description	Remark	Suggested Volume
1	72-0010030-00LF	USB cable (1500mm)	Standard	
2	98-0390205-01LF	Power supply / EU	Standard	2%
3	72-0180100-00LF	Power cord/US	Standard	
	72-0180100-01LF	Power cord/EU 90D	Option	
	72-0180100-02LF	Power cord/UK	Option	
	72-0180100-03LF	Power cord/AU	Option	
	72-0180100-14LF	Power cord/JP	Option	
	72-0180100-05LF	Power cord/CH	Option	
	72-0010057-10LF	Power cord/CN	Option	
	72-0180100-0GLF	Power cord/KR	Option	
	72-0180100-0MLF	Power cord/TW	Option	
	72-0180100-0LLF	Power cord/TW (second source)	Option	
	72-0180100-0PLF	Power cord/RU	Option	
4	72-0050002-00LF	RS-232 cable	Option	
5	98-0390038-00LF	Cutter module / Beige	Option	
	98-0390038-01LF	Cutter module / Blue	Option	
6	98-0390031-00LF	Peel-off module / Beige	Option	
	98-0390031-01LF	Peel-off module / Blue	Option	
7	99-0230001-00LF	KU-007 Plus, programmable keyboard unit	Option	
	99-117A001-00LF	KP-200 Plus, stand-alone keyboard unit	Option	
8	99-125A041-00LF	External Bluetooth module (for RS-232 interface)	Option	
N/S	98-0T80022-00LF	Cleaning pen (MOQ 12pcs/CTN)	Option	

Update History

Date	Content	Editor
2009/9/11	Revise feed button PCB assembly with LCD module P/N from 98-0390036-00LF to 98-0390036-10LF	Camille
2009/10/15	Revise Ethernet interface board assembly P/N from 98-0390035-00LF to 98-0390032-00LF (Add interface for Ethernet)	Camille
2009/10/20	Revise gap sensor assembly (Receiver) P/N from 98-0290025-00LF to 98-0290026-00LF	Camille
2009/10/21	Add blue color model P/N	Camille
2009/11/24	Revise feed button PCB assembly P/N from 98-0390022-00LF to 98-0390022-10LF	Camille
2009/12/21	* Revise media sensor assembly P/N from 98-0390020-00LF to 98-0390020-10LF * Add main board assembly + USB host part number	Camille
2010/1/14	Revise section 4 item 27 screw P/N from 37-1403006-34LF (TP3*6) to 37-1403005-32LF (TP3*5)	Camille
2010/1/22	* Add RS-232 interface board assembly (Includes interface cover for RS-232/ Beige) P/N: 98-0390027-00LF * Add RS-232 interface board assembly (Includes interface cover for RS-232/ Blue) P/N: 98-0390027-01LF * Add Ethernet interface board assembly (Includes Interface cover for Ethernet/ Blue) P/N: 98-0390032-01LF	Camille
2010/2/9	Revise interface cover P/N: From 30-0390015-00LF/-01LF to 30-0390015-10LF/-11LF From 30-0390045-00LF/-01LF to 30-0390045-10LF/-11LF	Camille
2010/3/11	Remove the main board assembly + USB host part number (Should be used with LCD module)	Camille
2010/4/15	Add the minimum order quantity for some parts	Camille
2010/5/6	* Revise power cord(US) P/N from 72-0050001-00LF to 72-0180100-00LF * Revise power cord(EU 90D) P/N from 72-0050007-10LF to 72-0180100-01LF * Remove power cord(EU 180D) P/N 2-0050007-00LF * Revise power cord(UK) P/N from 72-0050010-10LF to 72-0180100-02LF * Revise power cord(AU) P/N from 72-0050011-10LF to 72-0180100-03LF * Revise power cord(JP) P/N from 72-0180003-00LF to 72-0180100-04LF * Revise power cord(CH) P/N from 72-0050009-00LF to 72-0180100-05LF * Revise power cord(CN) P/N from 72-0010057-00LF to 72-0010057-10LF	Camille
2010/8/27	* Revise media holder (L) P/N from 30-0390018-00LF to 30-0390018-10LF * Revise media holder ® P/N from 30-0390019-00LF to 30-0390019-10LF	Camille
2011/1/25	Modify TSC address	Camille
2011/4/1	Modify power supply P/N from 62-0390001-00LF to 62-0390050-10LF	Camille

2012/2/8	*Modify power supply P/N from 62-0390050-10LF to 62-0390050-11LF *Remove the Bluetooth module P/N	Camille
2012/8/8	*Add print head harness P/N 98-0390014-00LF *Modify RS-232 cable P/N from 72-0050002-01LF to 00LF	Camille
2012/12/5	*Add head open sensor assembly P/N 98-0390017-00LF	Tina
2012/12/19	*Replace bluetooth module by 99-125A041-00LF *Modify main board P/N from 98-0390039-00LF to 98-0390039-10LF	Tina
2013/2/20	*Modify lower inner cover P/N from 30-0390004-00LF/-01LF to 30-0390004-10LF/-11LF *Modify media holder base-2 P/N from 30-0390026-00LF to 30-0390026-10LF	Camille
2013/5/7	Modify print head harness P/N from 98-0390014-00LF to 98-0390204-00LF	Camille
2013/11/21	Modify media holder P/N	Camille
2014/4/10	Modify lower inner cover P/N from 30-0390004-10LF/11LF to 30-0390004-20LF/21LF	Camille
2014/5/28	*Add TDP-324 model PNs * Modify lower inner cover P/N from 30-0390004-20LF/21LF to 30-0390004-30LF/31LF	Camille
2014/7/11	* Modify RS-232 interface board P/N from 98-0390034-00LF to 98-0390034-10LF * Modify main board assembly P/N from 98-0390039-10LF to 98-0390039-20LF	Camille
2015/8/5	* Modify power cord/JP P/N from 72-0180100-04LF to 72-0180100-14LF * Add power cord/KR P/N 72-018100-0GLF	Camille
2015/9/16	Modify main board assembly P/N from 98-0390039-20LF to 98-0390039-30LF	Camille
2015/10/14	Modify lower inner cover P/N from 30-0390004-30LF/31LF to 30-0390004-40LF/41LF	Camille
2016/1/25	Modify power supply P/N from 62-0390050-11LF to 62-0390050-20LF	Camille
2016/4/22	Modify main board assembly P/N from 98-0390039-30LF to 98-0390039-40LF	Camille
2016/12/14	Modify main board assembly P/N from 98-0390039-40LF to 98-0390039-50LF	Camille
2017/9/1	Add Cleaning pen P/N	Kate
2017/11/8	Add Power cord/TW P/N Add Power cord/TW (second source) P/N	Kate
2017/12/22	Modify Power supply (Kettle) P/N from 62-0390050-20LF to 62-0390050-30LF	Kate
2018/3/7	Modify Cleaning pen (MOQ 12PCS/CTN) P/N from 36-0000100-00LF to 98-0T80022-00LF	Kate
2018/4/20	Modify RS-232 interface board P/N from 98-0390034-10LF to 98-0390024-00LF	Kate
2018/5/7	Modify RS-232 interface board P/N from 98-0390024-00LF to 98-0390034-10LF	Kate
2018/7/6	Add Power cord/RU P/N	Kate
2018/9/18	Modify Print head module (203 dpi) P/N from 98-0390005-00LF to 98-0390005-10LF Modify Print head module (300 dpi) P/N from 98-0390005-02LF to 98-0390005-12LF	Kate
2018/10/5	Modify Gear cover P/N from 30-0390033-00LF to 30-0390033-10LF	Kate
2018/12/18	Modify Main board assembly P/N from 98-0390039-50LF to 98-0390039-60LF	Kate
2019/4/10	Modify Print head module (203 dpi) P/N from 98-0390005-10LF to 98-0390054-00LF Modify Print head module (300 dpi) P/N from 98-0390005-12LF to 98-0390054-02LF	Kate
2019/5/28	Modify Print head module (203 dpi) P/N from 98-0390054-00LF to 98-0390005-10LF	Kate

	Modify Print head module (300 dpi) P/N from 98-0390054-02LF to 98-0390005-12LF	
2020/4/23	Modify Power supply P/N from 62-0390050-30LF to 62-0390050-70LF	Camille
2020/7/3	Modify Print head harness P/N from 98-0390204-00LF to 98-0390204-01LF	Linda
2021/1/14	Modify Power supply P/N from 62-0390050-70LF to 98-0390205-01LF	Linda



TSC Auto ID Technology Co., Ltd.

Corporate Headquarters

9F., No.95, Minquan Rd., Xindian Dist.,
New Taipei City 23141, Taiwan (R.O.C.)

TEL: +886-2-2218-6789

FAX: +886-2-2218-5678

Web site: www.tscprinters.com

E-mail: printer_sales@tscprinters.com

tech_support@tscprinters.com

Li Ze Plant

No.35, Sec. 2, Ligong 1st Rd., Wujie Township,
Yilan County 26841, Taiwan (R.O.C.)

TEL: +886-3-990-6677

FAX: +886-3-990-5577