

# DA210 Series

■ Direct Thermal  
Desktop Barcode Printer



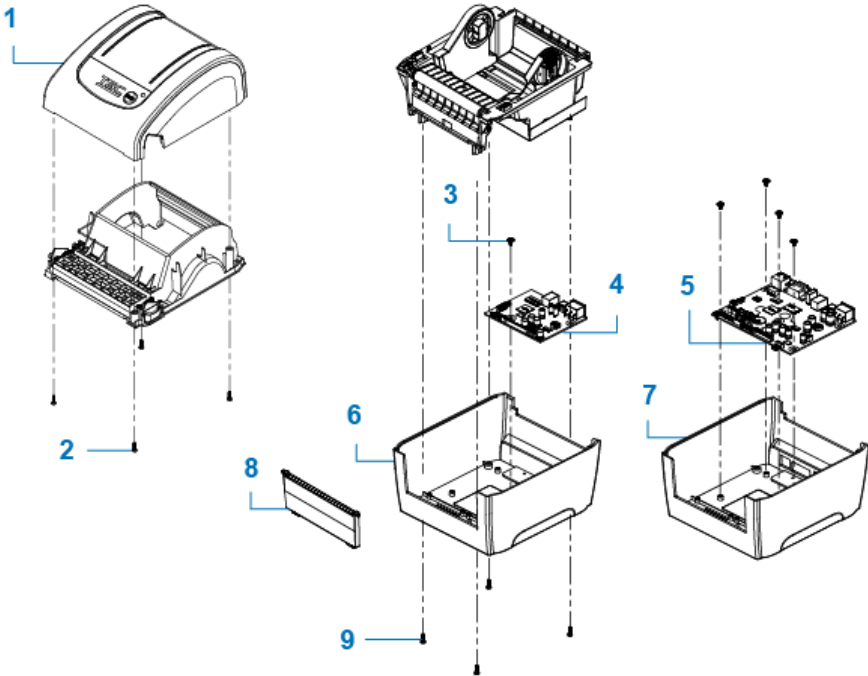
Series Lists:  
DA210 / DA310  
DA220 / DA320

## Parts List

# Table of Contents

1. Main Printer Assemblies .....	1
2. Top Cover Assemblies .....	2
3. Lower Inner Cover Assemblies .....	3
4. Option and Accessories .....	4
Revision History .....	6

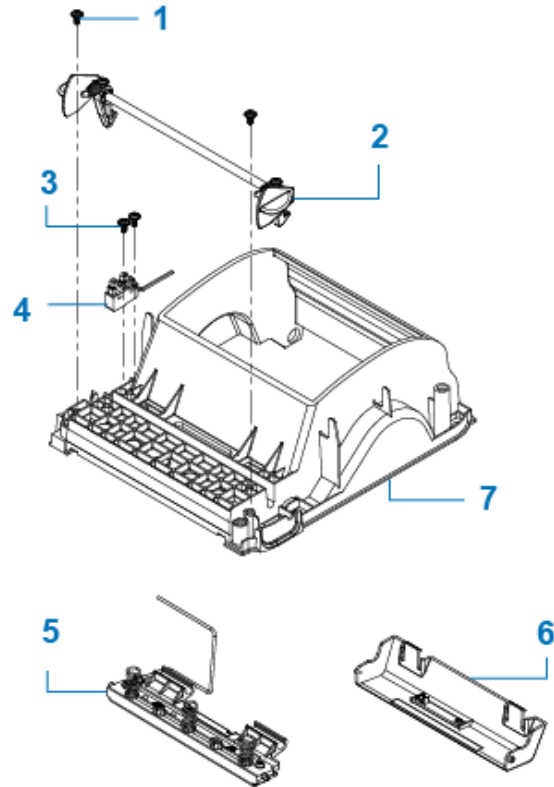
# 1. Main Printer Assemblies



NO.	PART NO.	DESCRIPTION	SUGGEST ATTACH RATE
1	SP-DA210-0001	TOP COVER ASSY+KEY PAD ASSY (1SET/BAG)	1%
2*	-	SCREW, TP3X10	
3*	-	SCREW, TP3X6	
4	SP-DA210-0002	MAIN BOARD ASSY, DA210 (1SET/BOX)	5%
5	SP-DA210-0003	MAIN BOARD ASSY, FULL PORTS, DA220 (1SET/BOX)	5%
	SP-DA210-0004	MAIN BOARD ASSY, USB+IE, DA220 (1SET/BOX)	5%
6	SP-DA210-0005	LOWER COVER ASSY, DA210 (1SET/BAG)	1%
7	SP-DA210-0006	LOWER COVER ASSY, FOR FULL PORTS MAIN BOARD, DA220 (1SET/BAG)	1%
	SP-DA210-0007	LOWER COVER ASSY, FOR USB+IE PORTS MAIN BOARD, DA220 (1SET/BAG)	
8	SP-DA210-0008	FRONT COVER (5PCS/BAG)	
9*	-	SCREW, TP3X10	

\* Available only in Hardware Field Kit (P/N: SP-DA210-0026)

## 2. Top Cover Assemblies

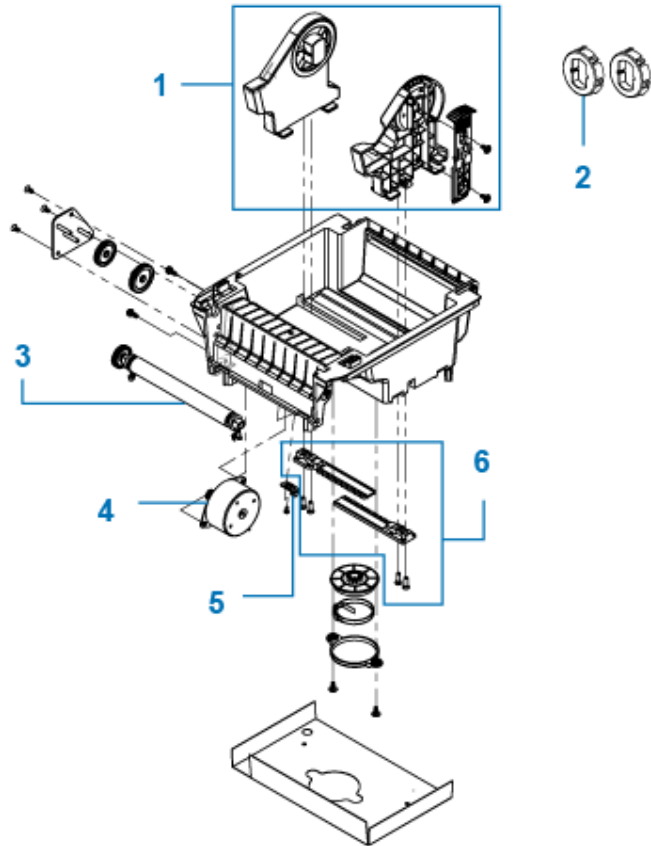


NO.	PART NO.	DESCRIPTION	SUGGEST ATTACH RATE
1*	-	SCREW, TP3X7	
2	SP-DA210-0009	TOP COVER OPEN LEVER ASSY (1SET/BAG)	1%
3*	-	SCREW, TP3X6	
4	SP-DA210-0010	PRINthead OPEN SENSOR, DA210 (1SET/BOX)	3%
	SP-DA210-0011	PRINthead OPEN SENSOR, DA220 (1SET/BOX)	3%
5	PH-DA210-0003	PRINthead ASSY, DA210/DA220 (1SET/BOX)	5%
	PH-DA210-0004	PRINthead ASSY, DA310/DA320 (1SET/BOX)	5%
	PH-DA210-0001	PRINthead ASSY, DA210/DA220 (ALTERNATIVE) (1SET/BOX)	5%
	PH-DA210-0002	PRINthead ASSY, DA310/DA320 (ALTERNATIVE) (1SET/BOX)	5%
N/S	SP-DA210-0012	PRINthead HARNESS (1PC/BAG)	1%
6	SP-DA210-0013	GAP SENSOR ASSY WITH COVER, RECEIVER (1SET/BAG)	3%
7	SP-DA210-0014	TOP INNER COVER ASSY (1SET/BAG)	

\* Available only in Hardware Field Kit (P/N: SP-DA210-0026)

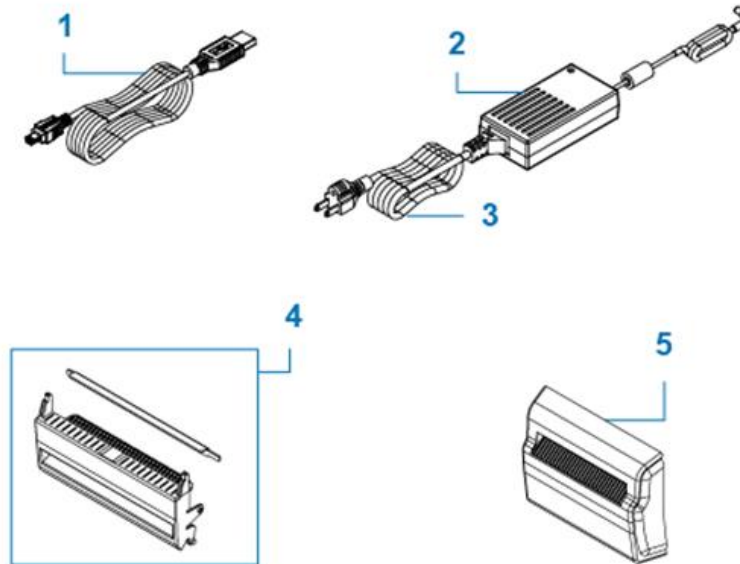
N/S: Not shown in the image.

### 3. Lower Inner Cover Assemblies

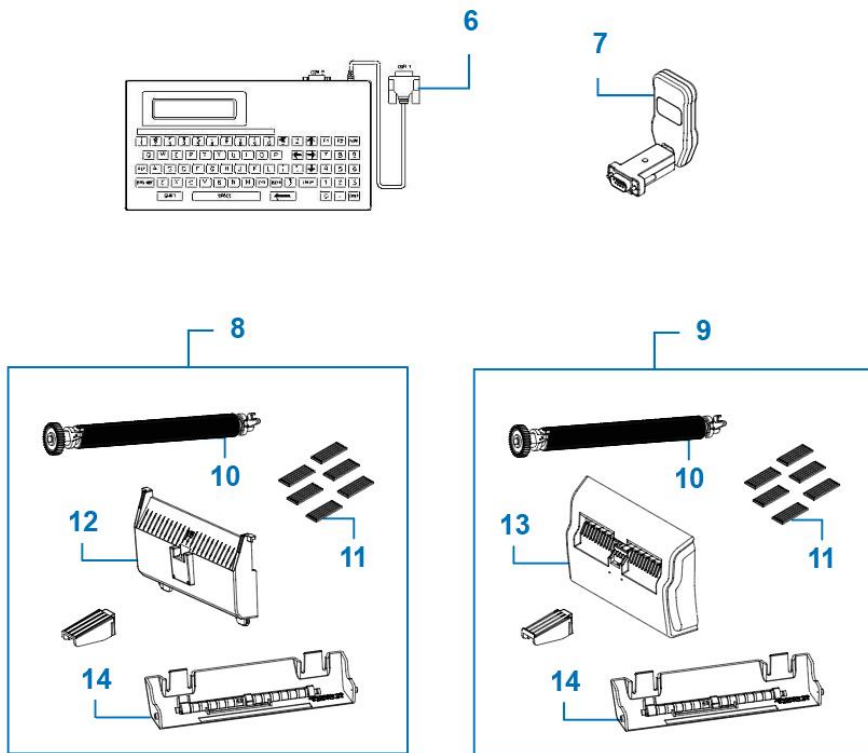


NO.	PART NO.	DESCRIPTION	SUGGEST ATTACH RATE
1	SP-DA210-0015	MEDIA HOLDER ASSY (1SET/BAG)	1%
2	OP-COM-0006	1.5-INCH MEDIA ADAPTOR (10PCS/BAG)	
3	SP-DA210-0016	PLATEN ROLLER ASSY (1SET/BOX)	2%
4	SP-DA210-0017	STEPPING MOTOR ASSY (1PC/BOX)	3%
5	SP-DA210-0018	BLACK MARK SENSOR ASSY (1SET/BOX)	3%
6	SP-DA210-0019	MEDIA HOLDER BASE ASSY (3SETS/BAG)	1%

## 4. Option and Accessories



NO.	PART NO.	DESCRIPTION	SUGGEST ATTACH RATE
1	SP-COM-0002	USB CABLE, 1.5M (1PC/BAG)	
2	SP-COM-0003	POWER SUPPLY, IEC C14, 60W (1PC/BAG)	
3	SP-COM-1001	POWER CORD, IEC C13, US (1PC/BAG)	
	SP-COM-2001	POWER CORD, IEC C13, EU (90 DEGREE) (1PC/BAG)	
	SP-COM-3001	POWER CORD, IEC C13, UK (1PC/BAG)	
	SP-COM-4001	POWER CORD, IEC C13, AU (1PC/BAG)	
	SP-COM-5001	POWER CORD, IEC C13, JP (1PC/BAG)	
	SP-COM-6001	POWER CORD, IEC C13, CH (1PC/BAG)	
	SP-COM-9001	POWER CORD, IEC C13, BR (1PC/BAG)	
	SP-COM-A001	POWER CORD, IEC C13, CN (1PC/BAG)	
	SP-COM-B001	POWER CORD, IEC C13, KR (1PC/BAG)	
	SP-COM-C001	POWER CORD, IEC C13, IN (1PC/BAG)	
	SP-COM-D001	POWER CORD, IEC C13, TH (1PC/BAG)	
	SP-COM-H001	POWER CORD, IEC C13, TW (1PC/BAG)	
	SP-COM-M001	POWER CORD, IEC C13, MAL_UK (1PC/BAG)	
4	PEL-DA210-0001	PEEL-OFF MODULE, DA220 (1SET/BOX)	1%
5	CUT-DA210-0001	CUTTER MODULE, FULL CUT, DA220 (1SET/BOX)	1%
	CUT-DA210-0002	CUTTER MODULE, PARTIAL CUT, DA220 (1SET/BOX)	1%
	CUT-DA210-0003	CUTTER MODULE, FULL/PARTIAL CUT, DA220 (1SET/BOX)	1%



NO.	PART NO.	DESCRIPTION	SUGGEST ATTACH RATE
6	OP-COM-0003	KP-200 PLUS, STAND-ALONE KEYBOARD UNIT (1SET/BOX)	
7	BT-COM-0001	EXTERNAL BLUETOOTH MODULE, FOR RS-232 PORT (1SET/BOX)	
8	TEAR-DA210-0001	LINERLESS TEAR KIT, DA220 (1SET/BOX)	
9	CUT-DA210-0004	LINERLESS CUTTER KIT, DA220 (1SET/BOX)	
10	SP-DA210-0020	PLATEN ROLLER ASSY, FOR LINERLESS, DA220 (1SET/BOX)	
11	SP-DA210-0021	ANTI-STICKY RUBBER, DA220 (6PCS/BAG)	
12	SP-DA210-0027	LINERLESS TEAR MODULE, DA220 (1SET/BOX)	
13	SP-DA210-0028	LINERLESS CUTTER MODULE, DA220 (1SET/BOX)	
14	SP-DA210-0022	GAP SENSOR ASSY WITH COVER, RECEIVER, FOR LINERLESS MODELS, DA220 (1SET/BAG)	
N/S	OP-COM-0004	EXTERNAL ROLL MOUNT ASSY (1SET/BOX)	
N/S	OP-COM-0005	EXTERNAL ROLL MOUNT ASSY WITH 3-INCH CORE LABEL SPINDLE (1SET/BOX)	
N/S	SP-DA210-0023	INTERNAL BLUETOOTH MODULE (1SET/BOX)	2%
N/S	SP-DA210-0024	INTERNAL BLUETOOTH MODULE (FOR MFI BLUETOOTH MODEL RMA) (1SET/BOX)	2%
N/S	SP-DA210-0025	802.11 A/B/G/N WI-FI MODULE, DA220 (1SET/BOX)	2%
N/S	SP-COM-0001	CLEANING PEN (12PCS/BOX)	
N/S	SP-DA210-0026	FIELD KIT, HARDWARE (1SET/BAG)	

N/S: Not shown in the image.

## Revision History

Date	Content	Editor
2022/12/01	Update the parts numbers	Camille
2023/5/9	Update the "CTN" to "BOX" for description	Camille



**TSC** **PRINTRONIX**<sup>®</sup>  
**AUTO ID**