

Desktop Barcode Printer

TH220 Series

Thermal Transfer

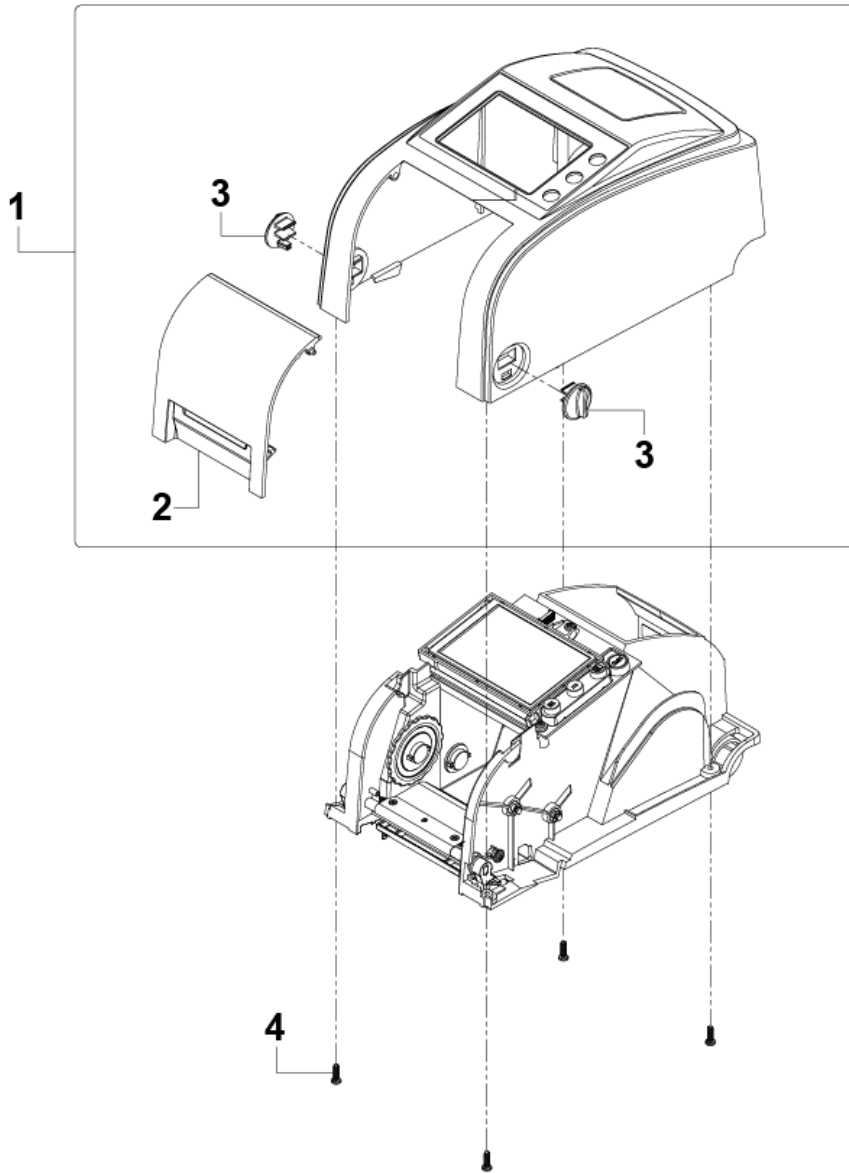


Parts List

Contents

- 1 Top Cover Assembly 1
- 2 Top Inner Cover Assembly 2
- 3 Lower Inner Cover Assembly 3
- 4 Screws for Lower Inner Cover Assembly..... 4
- 5 Lower Cover Assembly 5
- 6 Options and Accessories..... 6
- Revision History 8

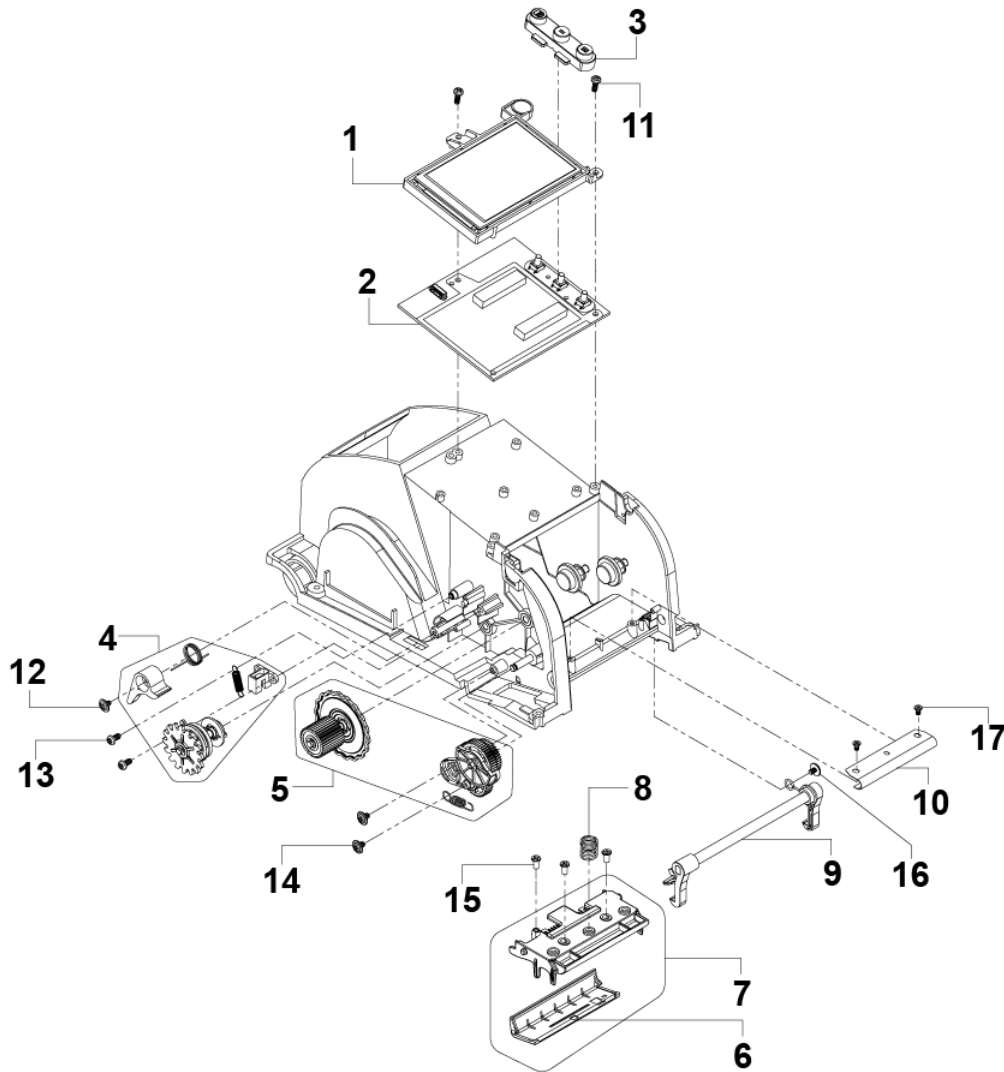
1 Top Cover Assembly



No.	Part No.	Description	Suggested Attach Rate
1	SP-TH220-0001	TOP COVER ASSY (1SET/BAG)	1%
	SP-TH220HC-0001	TOP COVER ASSY, TH220HC (1SET/BAG)	1%
2	SP-TH220-0002	RIBBON ACCESS COVER (1PC/BAG)	1%
	SP-TH220HC-0002	RIBBON ACCESS COVER, TH220HC (1PC/BAG)	1%
3	SP-TH220-0003	TOP COVER OPEN LEVER (5SETS/BAG)	1%
	SP-TH220HC-0003	TOP COVER OPEN LEVER, TH220HC (5SETS/BAG)	1%
4*	37-1403010-34LF	SELF-TAPPING SCREW, TP3xL10/ROUND, NI	

*Available only in Hardware Field Kit (P/N: SP-TH220-0023)

2 Top Inner Cover Assembly

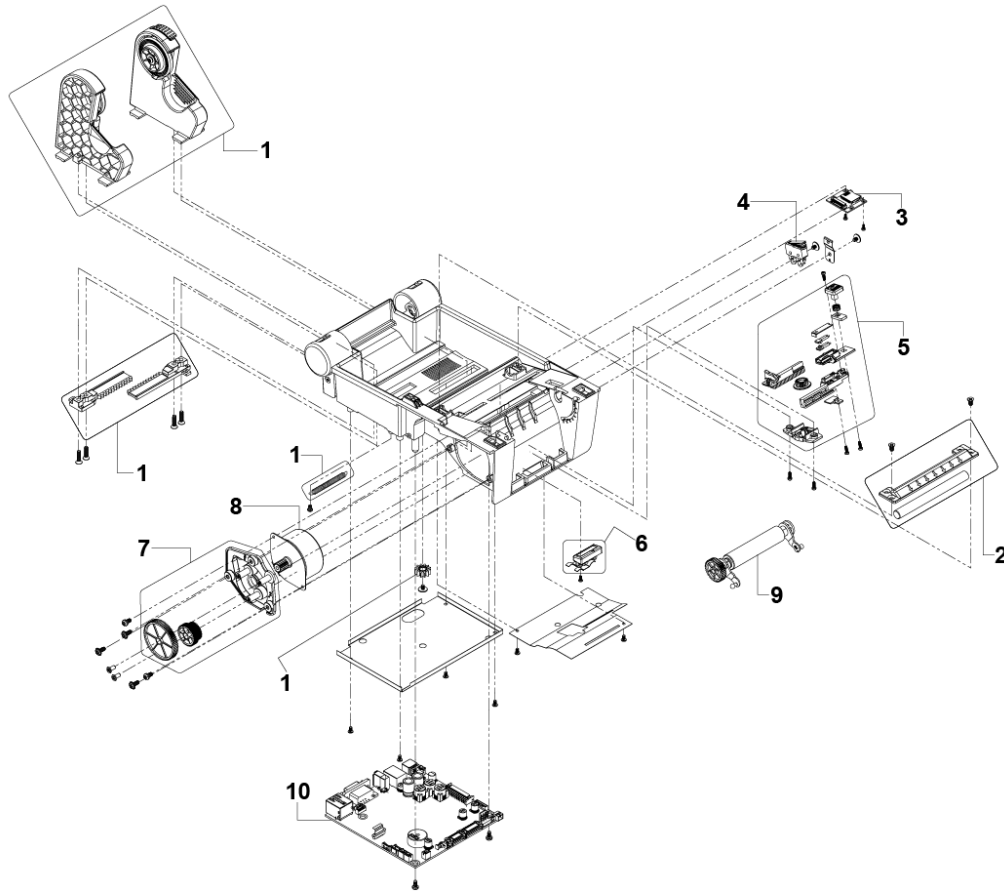


No.	Part No.	Description	Suggested Attach Rate
1	SP-TH240-0005	LCD MODULE ASSY, TH240/DH240/TH220/DH220 (1SET/BOX)	1%
2	SP-TH240-0006	LCD PCBA ASSY, TH240/DH240/TH220/DH220 (1SET/BOX)	1%
3	SP-TH240-0007	FUNCTION KEY, TH240/DH240/TH220/DH220 (3PCS/BAG)	1%
4	SP-TH220-0004	RIBBON END SENSOR KIT (1SET/BAG)	1%
5	SP-TH220-0005	RIBBON GEAR SET (1SET/BAG)	1%
6	SP-TH220-0006	PRINthead COVER (5PCS/BAG)	1%
7	PH-TH220-0001	PRNTHD ASSY, TH220 (1SET/BOX)	3%
	PH-TH220-0002	PRNTHD ASSY, TH320 (1SET/BOX)	3%
8	SP-TH220-0007	PRINthead SPRING, TH220/DH220 (5PCS/BAG)	1%
9	SP-TH220-0008	OPEN LEVER ASSY (3SETS/BAG)	1%
10	SP-TH220-0009	RIBBON BRACKET (1PC/BAG)	1%
11*	37-1403008-34LF	SELF-TAPPING SCREW, TP3xL8/ROUND, NI	
12*	37-1403004-74LF	SELF-TAPPING WASHER SCREW-TP3xL4xψ7	
13*	37-1403006-34LF	SELF-TAPPING SCREW, TP3xL6/ROUND, NI	
14*	37-1403004-74LF	SELF-TAPPING WASHER SCREW-TP3xL4xψ7	
15*	37-1503006-G4LF	MACHINE SCREW-M3xL6	
16*	37-1403004-74LF	SELF-TAPPING WASHER SCREW-TP3xL4xψ7	
17*	37-1403004-74LF	SELF-TAPPING WASHER SCREW-TP3xL4xψ7	
N/S	SP-TH220-0010	PRINthead CABLE (1PC/BAG)	1%
N/S	SP-TH220-0011	LCD FFC CABLE, TH220/DH220 (1PC/BAG)	1%
N/S	SP-TH220-0012	PANEL CABLE, TH220/DH220 (1PC/BAG)	1%

N/S: Not shown in the image.

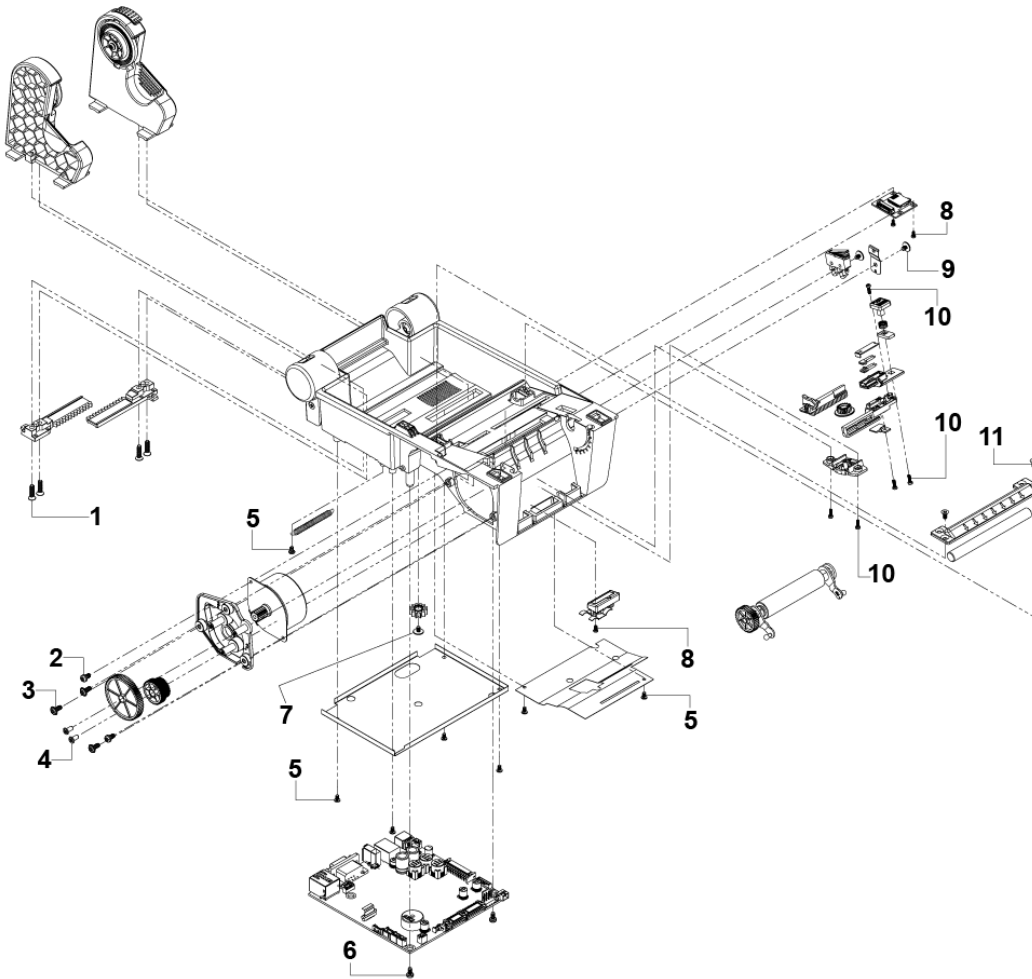
* Available only in Hardware Field Kit (P/N: SP-TH220-0023)

3 Lower Inner Cover Assembly



No.	Part No.	Description	Suggested Attach Rate
1	SP-TH220-0013	MEDIA HOLDER ASSY (1SET/BAG)	3%
2	SP-TH220-0014	MEDIA GUIDE BAR ASSY (1SET/BAG)	1%
3	SP-TH240-0021	MICRO SD CARD SOCKET ASSY, TH240/DH240/TH220/DH220 (1SET/BAG)	1%
4	SP-DH240-0008	PRINTHEAD OPEN SENSOR ASSY, DH240/TH220/DH220 (1SET/BAG)	1%
5	SP-TH220-0015	MEDIA GUIDE ASSY (1SET/BAG)	1%
6	SP-TH240-0024	BLACK MARK SENSOR ASSY, TH240/DH240/TH220/DH220 (1SET/BAG)	1%
7	SP-TH220-0016	GEAR ASSY (1SET/BAG)	1%
8	SP-TH220-0017	STEPPING MOTOR, TH220/DH220 (1SET/BOX)	1%
9	SP-TH220-0018	PLATEN ROLLER ASSY, TH220/DH220 (1SET/BAG)	3%
10	SP-TH220-0019	MAIN BOARD ASSY (1SET/BOX)	3%

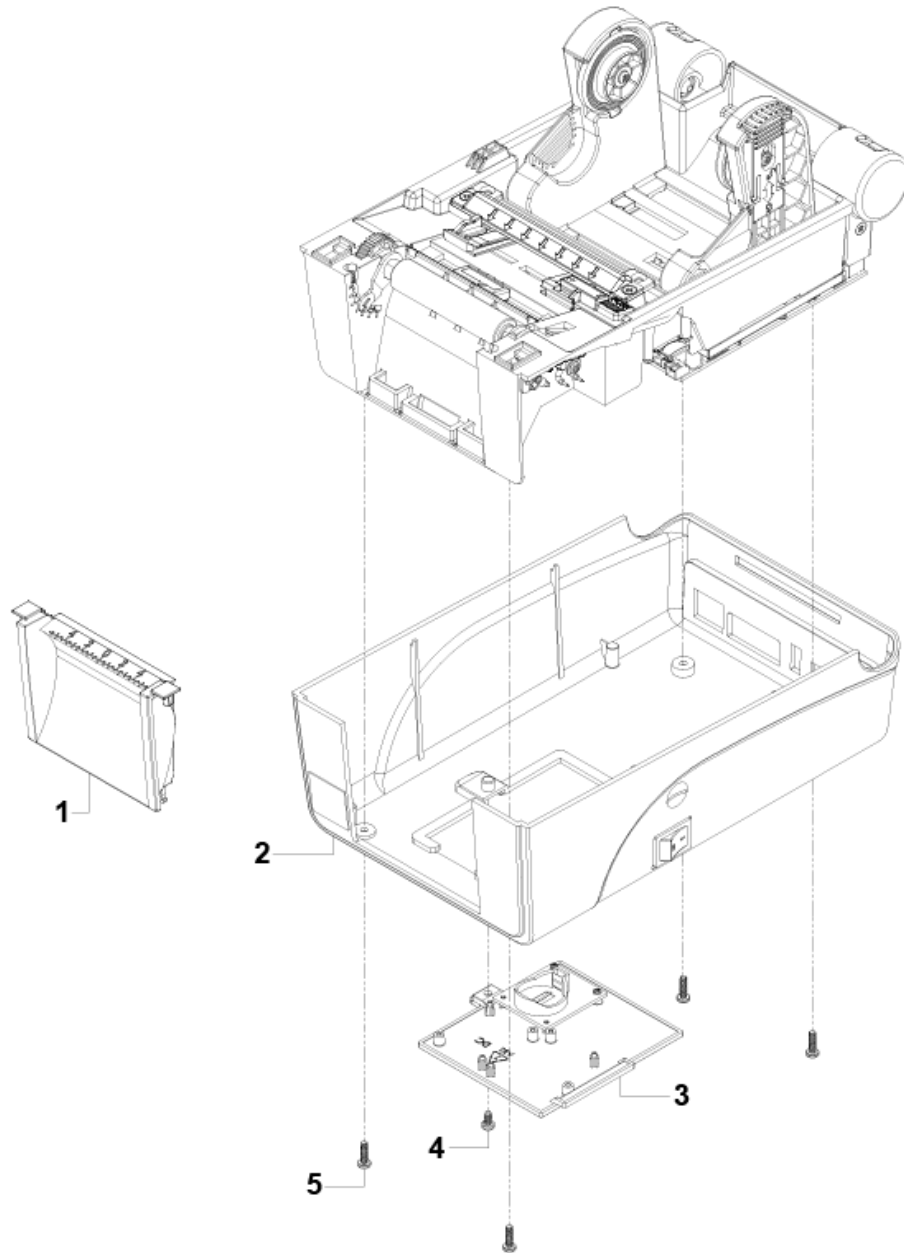
4 Screws for Lower Inner Cover Assembly



No.	Part No.	Description	Suggested Attach Rate
1*	37-1403012-22LF	SELF-TAPPING SCREW-TP3xL12	
2*	37-1503006-84LF	SPRING WASHER SCREW-M3xL6	
3*	37-1503006-G4LF	SELF-TAPPING WASHER SCREW-TP3xL7xψ8	
4*	37-1503006-G4LF	MACHINE SCREW-M3xL6	
5*	37-1202604-G4LF	TAPPING WASHER SCREW-TP2.6xL4	
6*	37-1403006-74LF	SELF-TAPPING WASHER SCREW-TP3xL6xψ7	
7*	37-1403004-74LF	SELF-TAPPING WASHER SCREW-TP3xL4xψ7	
8*	37-1402004-34LF	SELF-TAPPING SCREW-TP2xL4	
9*	37-1403004-74LF	SELF-TAPPING WASHER SCREW-TP3xL6xψ7	
10*	37-1202006-34LF	TAPPING WASHER SCREW-TP2xL6	
11*	37-1203006-22LF	TAPPING SCREW-TP3x6	

* Available only in Hardware Field Kit (P/N: SP-TH220-0023)

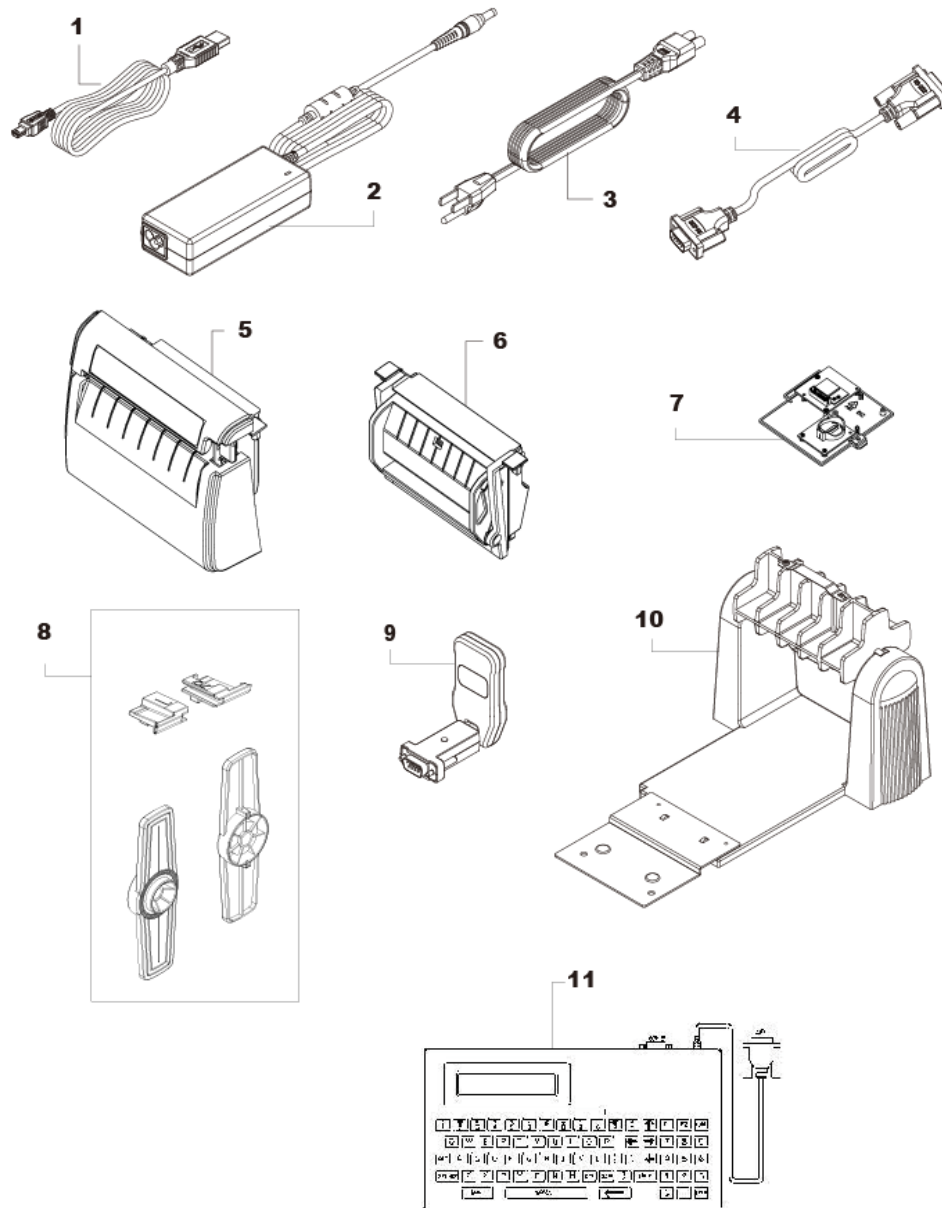
5 Lower Cover Assembly



No.	Part No.	Description	Suggested Attach Rate
1	SP-TH220-0020	LOWER FRONT COVER, (1PC/BAG)	1%
	SP-TH220HC-0004	LOWER FRONT COVER, TH220HC (1PC/BAG)	1%
2	SP-TH220-0021	LOWER COVER ASSY (1SET/BAG)	1%
	SP-TH220HC-0005	LOWER COVER ASSY, TH220HC (1SET/BAG)	1%
3	SP-TH220-0022	RTC MODULE, WITHOUT BATTERY (1PC/BOX)	1%
	SP-TH220HC-0006	RTC MODULE, WITHOUT BATTERY, TH220HC (1PC/BOX)	1%
4*	37-1403006-34LF	SELF-TAPPING SCREW, TP3xL6/ROUND, NI	
5*	37-1403010-34LF	SELF-TAPPING SCREW, TP3xL10/ROUND, NI	

* Available only in Hardware Field Kit (P/N: SP-TH220-0023)

6 Options and Accessories



No.	Part No.	Description	Suggested Attach Rate
1	SP-COM-0002	USB CABLE, 1.5M (1PC/BAG)	1%
2	SP-COM-0023	POWER SUPPLY, IEC C14, 60W	3%
	SP-COM-0024	IEC60601-1 POWER SUPPLY, IEC C14, 60W	3%
3	SP-COM-1001	POWER CORD, IEC C13, US (1PC/BAG)	1%
	SP-COM-2001	POWER CORD, IEC C13, EU (90 DEGREE) (1PC/BAG)	1%
	SP-COM-3001	POWER CORD, IEC C13, UK (1PC/BAG)	1%
	SP-COM-4001	POWER CORD, IEC C13, AU (1PC/BAG)	1%
	SP-COM-5001	POWER CORD, IEC C13, JP (1PC/BAG)	1%
	SP-COM-A001	POWER CORD, IEC C13, CN (1PC/BAG)	1%
	SP-COM-B001	POWER CORD, IEC C13, KR (1PC/BAG)	1%
	SP-COM-C001	POWER CORD, IEC C13, IN (1PC/BAG)	1%
	SP-COM-D001	POWER CORD, IEC C13, TH (1PC/BAG)	1%
	SP-COM-H001	POWER CORD, IEC C13, TW (1PC/BAG)	1%
	SP-COM-M001	POWER CORD, IEC C13, MAL_UK (1PC/BAG)	1%
4	SP-COM-0017	RS-232 CABLE	1%
5	CUT-TH220-0001	CUTTER MODULE, FULL/PARTIAL CUT, TH220/DH220/TH220HC/DH220HC (1SET/BOX)	1%
	CUT-TH220-0002	CUTTER MODULE, CARELABEL CUTTER (1SET/BOX)	1%
N/S	SP-TH240-0035	CUTTER BOARD, TH240/DH240/TH220/DH220 (1PC/BAG)	1%
6	PEL-TH220-0001	PEEL-OFF MODULE, TH220/DH220/TH220HC/DH220HC (1SET/BOX)	1%

No.	Part No.	Description	Suggested Attach Rate
7	WF-TH220-1001	WI-FI+BT COMBO MODULE KIT, WITHOUT BATTERY, US (1SET/BOX)	1%
	WF-TH220-2001	WI-FI+BT COMBO MODULE KIT, WITHOUT BATTERY, EU (EMEA) (1SET/BOX)	1%
	WF-TH220-4001	WI-FI+BT COMBO MODULE KIT, WITHOUT BATTERY, AU (1SET/BOX)	1%
	WF-TH220-A001	WI-FI+BT COMBO MODULE KIT, WITHOUT BATTERY, CN (1SET/BOX)	1%
	BT-TH220-0001	BLUETOOTH MODULE KIT, WITHOUT BATTERY (1SET/BOX)	1%
	WF-TH220HC-1001	WI-FI+BT COMBO MODULE KIT, WITHOUT BATTERY, TH220HC, US (1SET/BOX)	1%
	WF-TH220HC-2001	WI-FI+BT COMBO MODULE KIT, WITHOUT BATTERY, TH220HC, EU (EMEA) (1SET/BOX)	1%
	WF-TH220HC-4001	WI-FI+BT COMBO MODULE KIT, WITHOUT BATTERY, TH220HC, AU (1SET/BOX)	1%
	WF-TH220HC-A001	WI-FI+BT COMBO MODULE KIT, WITHOUT BATTERY, TH220HC, CN (1SET/BOX)	1%
	BT-TH220HC-0001	BLUETOOTH MODULE KIT, WITHOUT BATTERY, TH220HC (1SET/BOX)	1%
8	OP-TH220-0001	10MM NARROW MEDIA ADAPTOR KIT (1SET/BAG)	1%
9	BT-COM-0001	EXTERNAL BLUETOOTH MODULE, FOR RS-232 PORT (1SET/BOX)	1%
10	OP-COM-0002	EXTERNAL ROLL MOUNT ASSEMBLY (WITH 3" CORE LABEL SPINDLE)	1%
11	OP-COM-0003	KP-200 PLUS, STAND-ALONE KEYBOARD UNIT	1%
N/S	SP-COM-0001	CLEANING PEN (MOQ 12PCS/CTN)	1%
N/S	SP-TH220-0023	FIELD KIT, HARDWARE (1SET/BAG)	1%

N/S: Not shown in the image.

Revision History

Date	Description	Editor
2023/11/01	Official release	Peter Yao



www.tscprinters.com