

Industrial Barcode Printer

MX241P Series

Thermal Transfer ▪ Direct Thermal

Series Models

MX241P/ MX341P/ MX641P



Parts List

Copyright

©2023 TSC Auto ID Technology Co., Ltd.

The copyright in this manual, the software and firmware in the printer described are owned by TSC Auto ID Technology Co., Ltd. All rights reserved.

CG Triumvirate is a trademark of Agfa Corporation. CG Triumvirate Bold Condensed font is under license from the Monotype Corporation. Windows is a registered trademark of Microsoft Corporation.

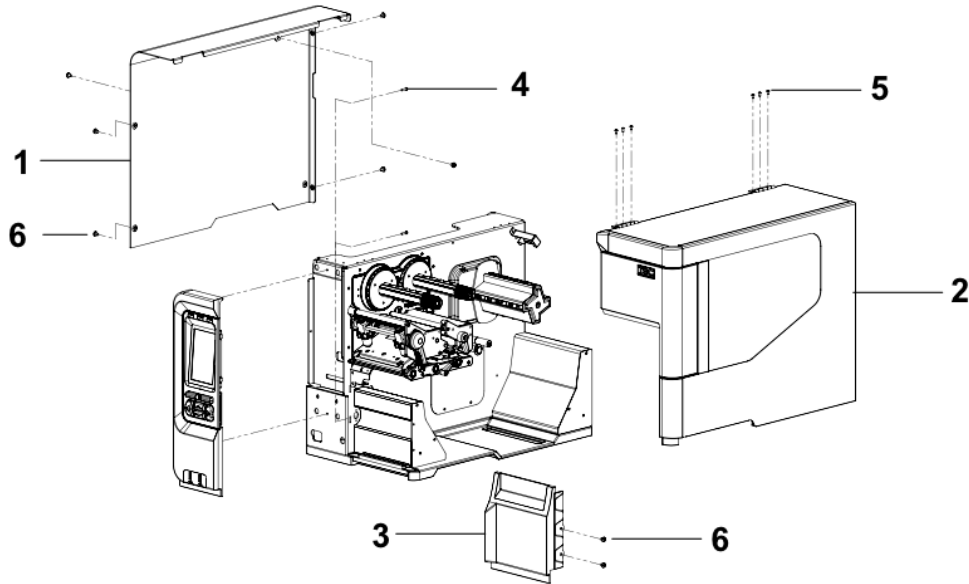
All other trademarks are the property of their respective owners. Information in this document is subject to change without notice and does not represent a commitment on the part of TSC Auto ID Technology Co. No part of this manual may be reproduced or transmitted in any form or by any means, for any purpose other than the purchaser's personal use, without the expressed written permission of TSC Auto ID Technology Co.

CONTENT

Part List	3
1. Printer Cover Assemblies	3
2. LCD Panel ASSY	4
3. Left Side Assemblies	5
4. Right Side Assemblies-1	6
5. Right Side Assemblies-2	7
6. Accessories	8
7. Options	9
Update History	11

Part List

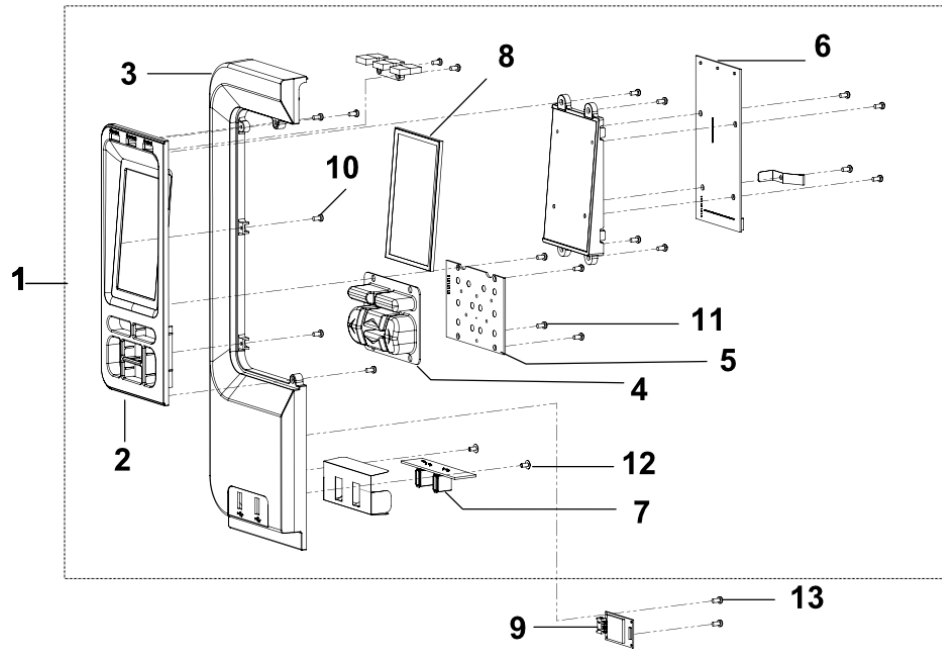
1. Printer Cover Assemblies



NO.	PART NO.	DESCRIPTION	SUGGEST ATTACH RATE
1	SP-MX241P-0001	ELECTRONIC COVER	
2	SP-MX241P-0002	MEDIA COVER ASSY	
3	SP-MX241P-0003	LOWER FRONT COVER ASSY	1%
4*	--	SELF-TAPPING SCREW, TP3*10	
5*	--	MACHINE SCREW, M3*5	
6*	--	MACHINE SCREW, M4*8	

*NOTE: Available only in Hardware Field Kit (P/N: SP-MX241P-0046)

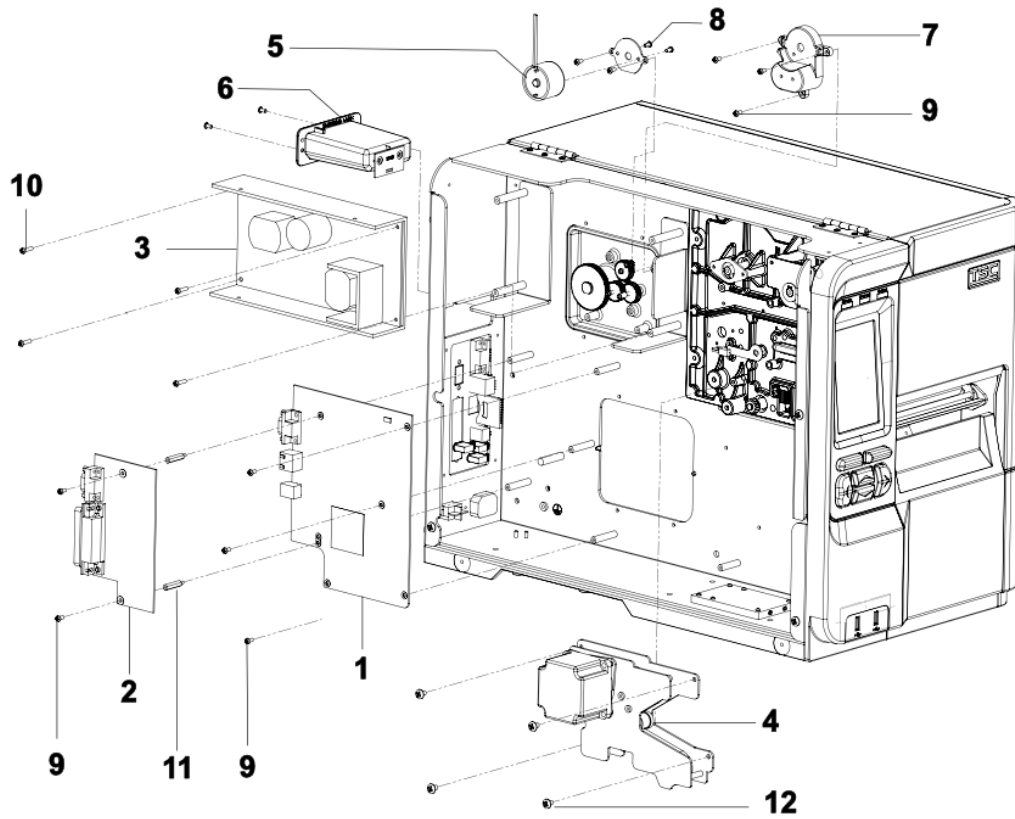
2. LCD Panel ASSY



NO.	PART NO.	DESCRIPTION	SUGGEST ATTACH RATE
1	SP-MX241P-0004	LCD PANEL ASSY	1%
2	SP-MX241P-0005	LCD COVER	
3	SP-MX241P-0006	LCD PANEL COVER	
4	SP-MX241P-0007	KEYPAD	
5	SP-MX241P-0008	KEYPAD PCB ASSY	1%
6	SP-MX241P-0009	LCD PANEL BOARD ASSY	3%
7	SP-MX241P-0010	USB HOST PCB ASSY	
8	SP-MX241P-0011	4.3" LCD	
9	SP-MX241P-0013	MFI BT MODULE	
10*	--	SELF-TAPPING SCREW, TP2.6*6	
11*	--	SELF-TAPPING SCREW, TP3*6	
12*	--	SELF-TAPPING WASHER SCREW, TP3*6	
13*	--	SELF-TAPPING SCREW, TP2*5	

*NOTE: Available only in Hardware Field Kit (P/N: SP-MX241P-0046)

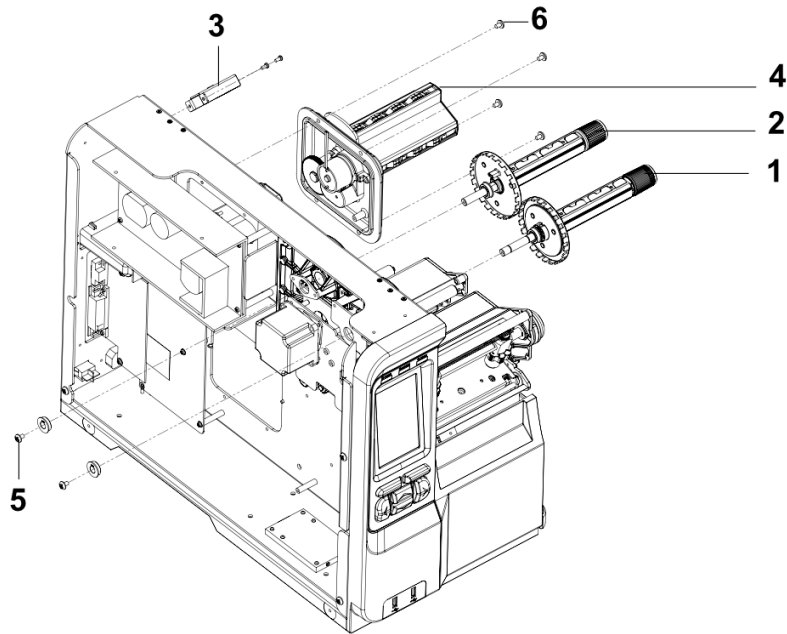
3. Left Side Assemblies



NO.	PART NO.	DESCRIPTION	SUGGEST ATTACH RATE
1	SP-MX241P-0012	MAIN BOARD ASSEMBLY, MX241P	3%
2	OP-MX241P-0002	GPIO INTERFACE ASSY (INCLUDING PARALLEL PORT)	1%
3	SP-MX241P-0014	POWER SUPPLY	1%
4	SP-MX241P-0015	STEPPING MOTOR ASSY (INCLUDING BELT, GEARS, STEPPING MOTOR)	2%
5	SP-MX241P-0016	LABEL SPINDLE DC MOTOR	2%
6	SP-MX241P-0017	WIFI+BT MODULE HOUSING	
7	SP-MX241P-0018	GEAR COVER (FOR LABEL SPINDLE)	
8*	--	MACHINE SCREW, M2.6*4	
9*	--	MACHINE SCREW, M3*6	
10*	--	MACHINE SPRING WASHER SCREW, M3*12	
11*	--	COPPER PILLAR M3*20	
12*	--	MACHINE SCREW, M4*8	

*NOTE: Available only in Hardware Field Kit (P/N: SP-MX241P-0046)

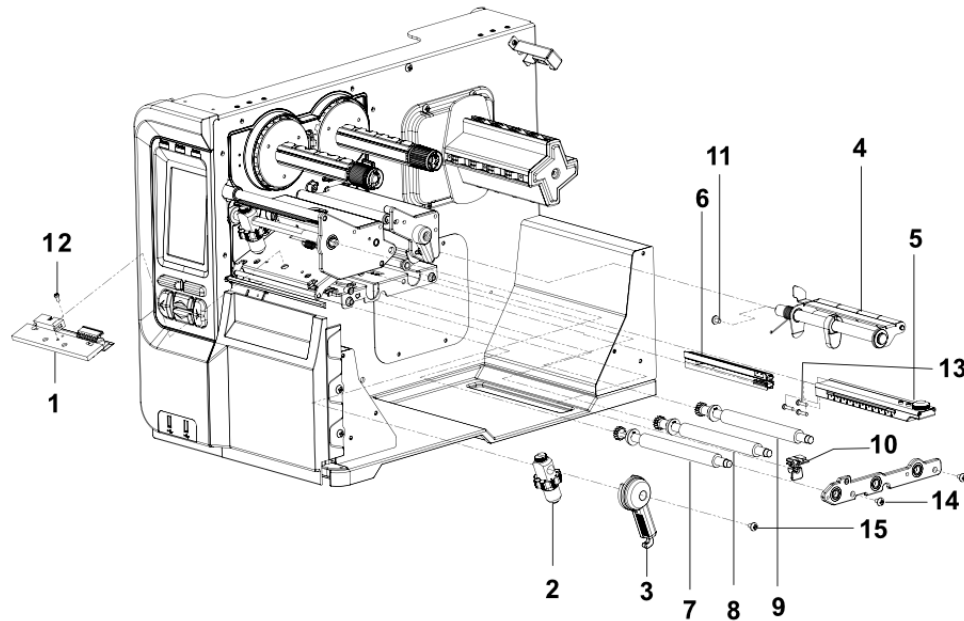
4. Right Side Assemblies-1



NO.	PART NO.	DESCRIPTION	SUGGEST ATTACH RATE
1	SP-MX241P-0019	RIBBON REWIND SPINDLE ASSY	1%
2	SP-MX241P-0020	RIBBON SUPPLY SPINDLE ASSY	1%
3	SP-MX241P-0021	MEDIA CAPACITY SENSOR	
4	SP-MX241P-0022	LABEL SPINDLE ASSY	1%
5*	--	MACHINE SCREW, M4*8	
6*	--	MACHINE SCREW, HEXAGON, M4*8	

*NOTE: Available only in Hardware Field Kit (P/N: SP-MX241P-0046)

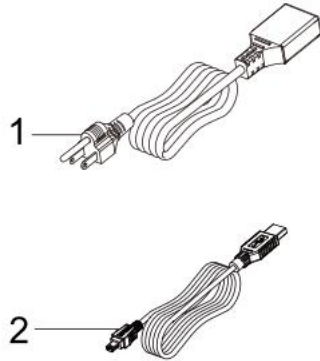
5. Right Side Assemblies-2



NO.	PART NO.	DESCRIPTION	SUGGEST ATTACH RATE
1	PH-MX241P-0001	PRNTHD ASSY, MX241P	3%
	PH-MX241P-0002	PRNTHD ASSY, MX341P	3%
	PH-MX241P-0003	PRNTHD ASSY, MX641P	3%
	PH-MX241P-0004	PRNTHD ASSY, MX241P (ALTERNATIVE)	3%
	PH-MX241P-0005	PRNTHD ASSY, MX341P (ALTERNATIVE)	3%
	PH-MX241P-0006	PRNTHD ASSY, MX641P (ALTERNATIVE)	3%
N/S	SP-MX241P-0026	TPH HARNESS	
2	SP-MX241P-0027	PRESSURE MECHANISM ASSY	1%
3	SP-MX241P-0028	PRINT HEAD RELEASE LEVER ASSY	
4	SP-MX241P-0029	MEDIA DAMPER ASSY	
5	SP-MX241P-0030	MEDIA SENSOR ASSY	
6	SP-MX241P-0031	MEDIA TYPE SENSOR ASSY	
7	SP-MX241P-0032	PAPER FEED PLATEN ROLLER ASSY	
8	SP-MX241P-0033	PEEL-OFF ROLLER ASSY	
9	SP-MX241P-0034	REAR PRESSING PAPER ROLLER	1%
10	SP-MX241P-0035	PAPER GUIDE (RIGHT/ RED)	
11*	--	MACHINE SPRING WASHER SCREW, M4*12	
12*	--	MACHINE SCREW, M3*6	
13*	--	MACHINE SCREW, M3*14	
14*	--	MACHINE SCREW, HEXAGON, M4*8	
15*	--	MACHINE SPRING WASHER SCREW, M4*8	

***NOTE:** Available only in Hardware Field Kit (P/N: SP-MX241P-0046)

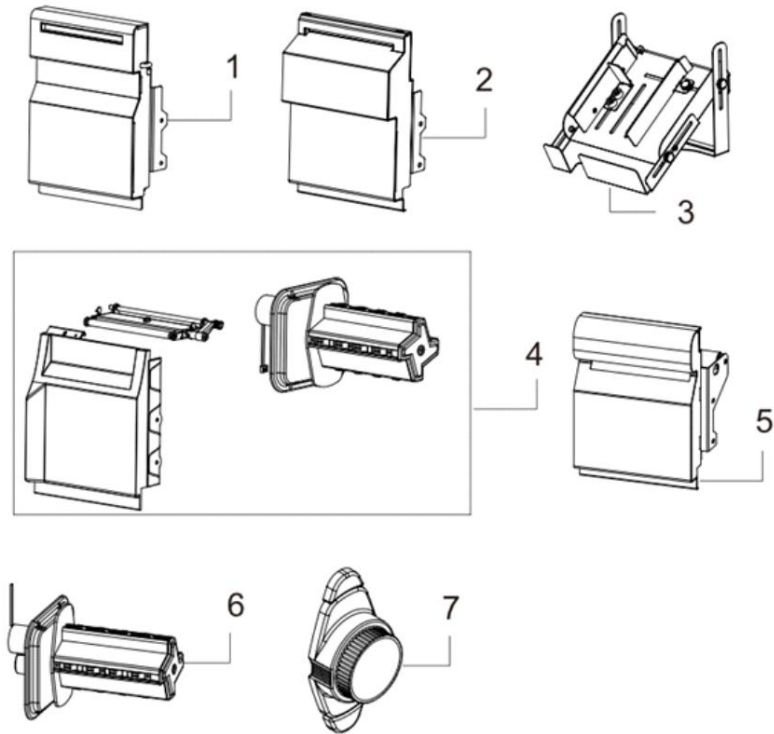
6. Accessories



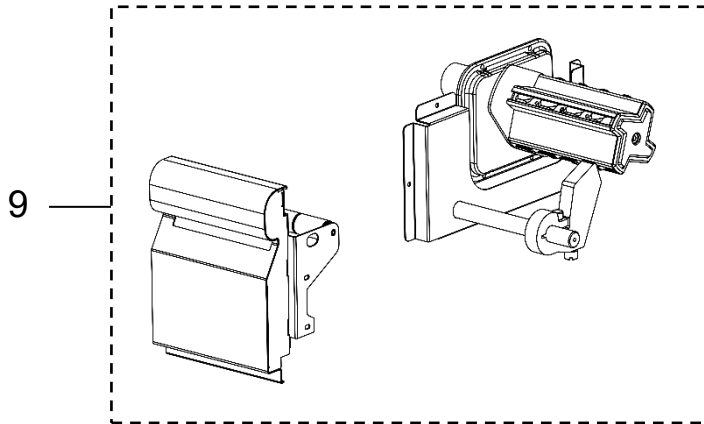
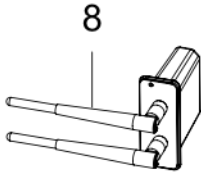
NO.	PART NO.	DESCRIPTION	SUGGEST ATTACH RATE
1	SP-COM-1001	POWER CORD, US	
	SP-COM-2001	POWER CORD, EU 90 DEGREE	
	SP-COM-3001	POWER CORD, UK	
	SP-COM-4001	POWER CORD, AU	
	SP-COM-5001	POWER CORD, JP	
	SP-COM-6001	POWER CORD, CH	
	SP-COM-A001	POWER CORD, CN	
	SP-COM-B001	POWER CORD, BR	
	SP-COM-C001	POWER CORD, KC	
	SP-COM-H001	POWER CORD, TW	
	SP-COM-M001	POWER CORD, MAL_UK	
2	SP-COM-0002	USB CABLE	
N/S	SP-COM-0003	CLEANING PEN (MOQ 12PCS/CTN)	
N/S	SP-MX241P-0036	TOP CUSHION PACKING	
N/S	SP-MX241P-0037	RIBBON SPINDLE CUSHION PACKING	
N/S	SP-MX241P-0038	LOWER BASE CUSHION PACKING	
N/S	SP-MX241P-0039	PACKING POLYBAG	
N/S	SP-MX241P-0040	PACKING CARTON _OUTER	
N/S	SP-MX241P-0041	FRONT CUSHION PACKING	
N/S	SP-MX241P-0046	FIELD KIT, HARDWARE, MX241P	

N/S: Not shown in the image.

7. Options



NO.	PART NO.	DESCRIPTION	SUGGEST ATTACH RATE
1	CUT-MX241P-0001	REGULAR GUILLOTINE CUTTER KIT	1%
2	CUT-MX241P-0003	HEAVY DUTY GUILLOTINE CUTTER KIT	1%
3	OP-COM-0001	UNIVERSAL CUTTER TRAY	
4	PEL-MX241P-0001	PEEL-OFF KIT	1%
5	SP-MX241P-0042	INTERNAL REWINDING FRONT COVER ASSY (SPARE PARTS)	
6	SP-MX241P-0043	INTERNAL REWINDING SPINDLE ASSY (SPARE PARTS)	1%
7	SP-MX241P-0044	MEDIA FIXING TAB (SPARE PARTS)	1%



NO.	PART NO.	DESCRIPTION	SUGGEST ATTACH RATE
8	WF-COM-1002	SLOT-IN Wi-Fi + BT COMBO MODULE (US)	1%
	WF-COM-2002	SLOT-IN Wi-Fi + BT COMBO MODULE (EU)	
	WF-COM-4002	SLOT-IN Wi-Fi + BT COMBO MODULE (AU)	
	WF-COM-5002	SLOT-IN Wi-Fi + BT COMBO MODULE (JP)	
	WF-COM-A002	SLOT-IN Wi-Fi + BT COMBO MODULE (CN)	
9	REW-MX241P-0001	INTERNAL REWIND KIT [Full roll 8" O.D.(EU)]	

Update History

Date	Content	Editor
2021/03/09	Add REW-MX241P-0001 INTERNAL REWIND KIT (Full roll 8" O.D.), in Option list	Linda
2021/03/22	Modify REW-MX241P-0001, INTERNAL REWIND KIT (Full roll 8" O.D.) to INTERNAL REWIND KIT [Full roll 8" O.D.(EU)]	Linda
2021/09/02	Modify: {SP-MX241P-0023, PRNTHD, 200} to { PH-MX241P-0001, PRNTHD ASSY, MX241P} {SP-MX241P-0024, PRNTHD, 300} to { PH-MX241P-0002, PRNTHD ASSY, MX341P} {SP-MX241P-0025, PRNTHD, 600} to { PH-MX241P-0003, PRNTHD ASSY, MX641P}	Linda
2022/2/28	Add: PH-MX241P-0004 PRNTHD ASSY, MX241P (ALTERNATIVE) PH-MX241P-0005 PRNTHD ASSY, MX341P (ALTERNATIVE) PH-MX241P-0006 PRNTHD ASSY, MX641P (ALTERNATIVE)	Linda
2023/12/6	Modify DESCRIPTION and SUGGEST ATTACH RATE	Camille



www.tscprinters.com