

ML240

■ Thermal Transfer / Direct Thermal
Industrial Printer

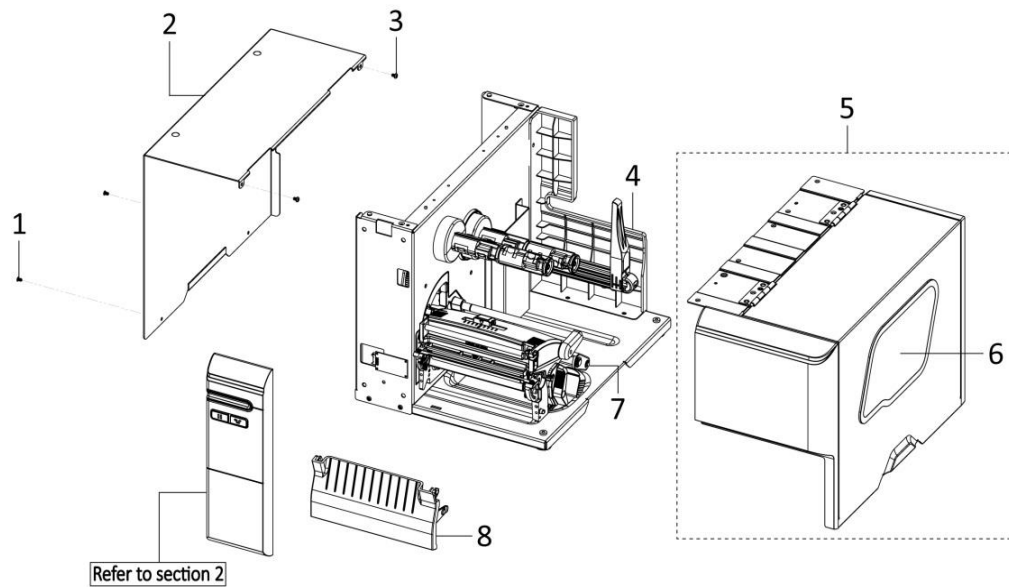


Parts List

Table of Contents

1. Printer Cover Assembly	1
2. LCD Panel & Keypad Assembly	2
3. Print Engine Top Mechanism Assembly	3
4. Print Engine Lower Mechanism Assembly.....	4
5. Electronics Maintenance Kit & Drive System.....	5
6. Optional Items & Accessories	6
Revision History.....	8

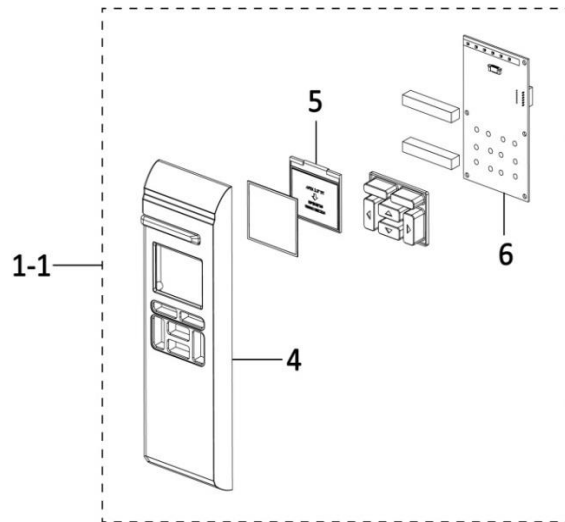
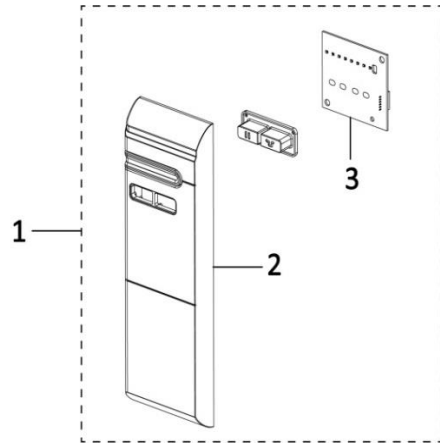
1. Printer Cover Assembly



No.	Part No.	Description	Suggested Attach Rate
1*	--	SCREW, M3X5, FOR ELECTRONICS COVER	
2	SP-ML240-0001	ELECTRONICS COVER (1SET/BOX)	
3*	--	SCREW, M3X4	
4	SP-ML240-0002	LOWER MEDIA COVER (1SET/BOX)	
5	SP-ML240-0003	TOP RIGHT SIDE COVER ASSY, ML240 (1SET/BOX)	
	SP-ML240-0004	TOP RIGHT SIDE COVER ASSY, ML240P (1SET/BOX)	
6	SP-ML240-0005	MEDIA WINDOW (1SET/BOX)	
7	SP-ML240-0006	MEDIA DAMPER ASSY (1SET/BOX)	
8	SP-ML240-0007	LOWER FRONT PANEL (1SET/BOX)	

* Available only in Hardware Field Kit (P/N: SP-ML240-0041)

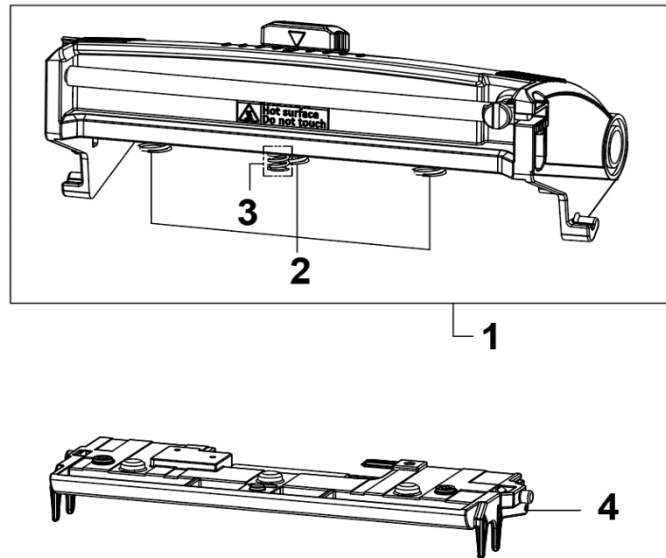
2. LCD Panel & Keypad Assembly



No.	Part No.	Description	Suggested Attach Rate
1	SP-ML240-0008	LED PANEL ASSY, ML240 (1SET/BOX)	
1-1	SP-ML240-0009	LCD PANEL ASSY, ML240P (1SET/BOX)	
2	SP-ML240-0010	LED FRONT PANEL COVER ASSY, ML240 (1SET/BOX)	
3	SP-ML240-0011	LED PANEL BOARD ASSY, ML240 (1SET/BOX)	
4	SP-ML240-0012	LCD FRONT PANEL COVER ASSY, ML240P (1SET/BOX)	
5	SP-ML240-0013	2.3-INCH LCD, ML240P (1SET/BOX)	
6	SP-ML240-0014	LCD PANEL BOARD ASSY, ML240P (1SET/BOX)	
N/S	SP-ML240-0015	LED CABLE (1SET/BOX)	

N/S: Not shown in the image.

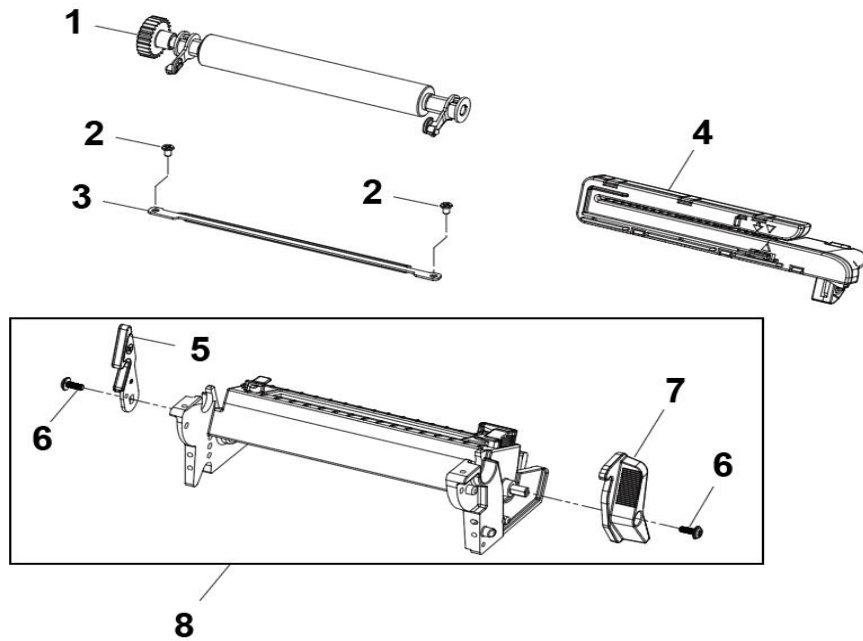
3. Print Engine Top Mechanism Assembly



No.	Part No.	Description	Suggested Attach Rate
1	SP-ML240-0016	UPPER BASE MODULE (1SET/BOX)	
2	SP-ML240-0018	PRINthead SPRING (10PCS/BOX)	
3	SP-ML240-0017	PRINthead FIX PLATE SPRING (10PCS/BOX)	
4	PH-ML240-0003	PRINthead ASSY, ML240 (1SET/BOX)	5%
	PH-ML240-0001	PRINthead ASSY, ML240 (ALTERNATIVE) (1SET/BOX)	5%
	PH-ML240-0004	PRINthead ASSY, ML340 (1SET/BOX)	5%
	PH-ML240-0002	PRINthead ASSY, ML340 (ALTERNATIVE) (1SET/BOX)	5%
N/S	SP-ML240-0019	PRINthead HARNESS CABLE (1PC/BOX)	

N/S: Not shown in the image.

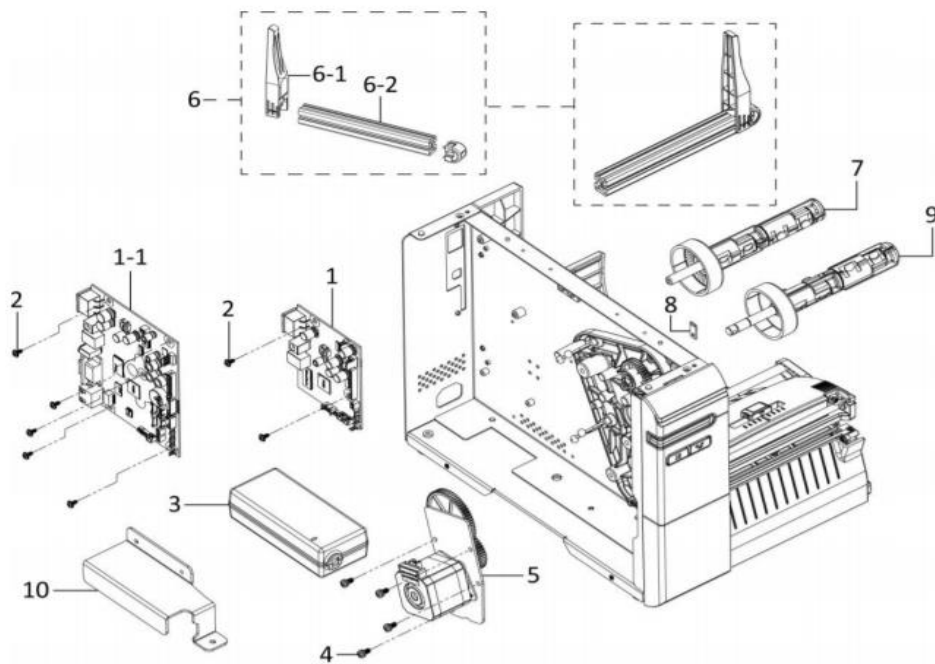
4. Print Engine Lower Mechanism Assembly



No.	Part No.	Description	Suggested Attach Rate
1	SP-ML240-0020	PLATEN ROLLER ASSY (1PC/BOX)	3%
2*	--	SCREW, M3X4, FOR TEAR BAR	
3	SP-ML240-0021	TEAR BAR (5PCS/BOX)	
4	SP-ML240-0025	MEDIA SENSOR ASSY (1PC/BOX)	5%
5	SP-ML240-0023	HANDLE, INNER HOOK (10PCS/BOX)	
6*	--	SCREW, M3X5	
7	SP-ML240-0024	HANDLE, OUTER HOOK (10PCS/BOX)	
8	SP-ML240-0022	PRINT ENGINE LOWER MECHANISM ASSY (1SET/BOX)	2%

* Available only in Hardware Field Kit (P/N: SP-ML240-0041)

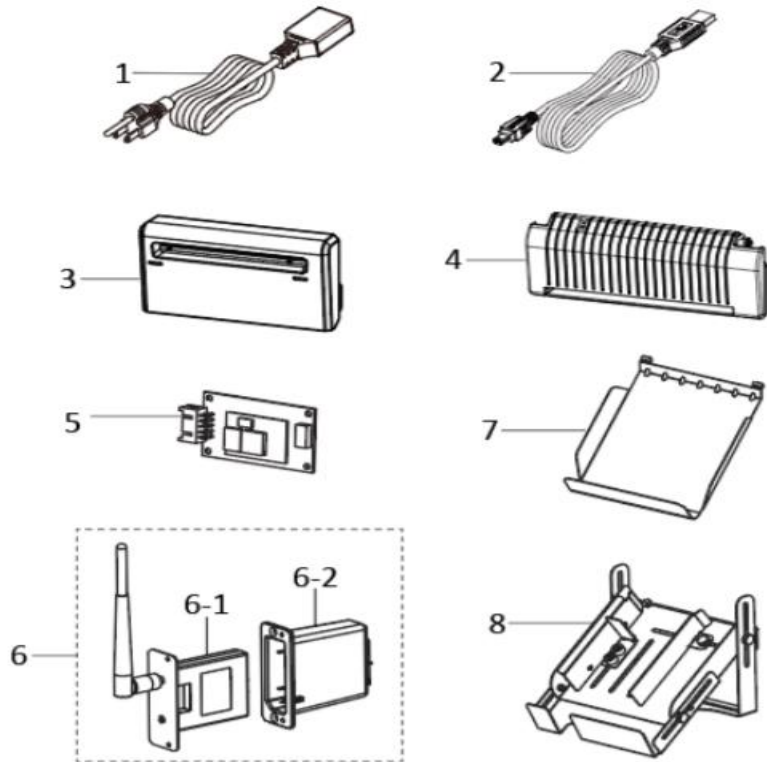
5. Electronics Maintenance Kit & Drive System



No.	Part No.	Description	Suggested Attach Rate
1	SP-ML240-0026	MAIN BOARD ASSY, ML240 (1PC/BOX)	
1-1	SP-ML240-0027	MAIN BOARD ASSY, ML240P (1PC/BOX)	
2*	--	SCREW, M3X6, FOR MAIN BOARD ASSY	
3	SP-ML240-0028	POWER SUPPLY UNIT (1PC/BOX)	
4*	--	SCREW, M4X8L, FOR STEPPING MOTOR ASSY	
5	SP-ML240-0029	STEPPING MOTOR ASSY (1SET/BOX)	
6	SP-ML240-0030	LABEL SUPPLY SPINDLE ASSY (1SET/BOX)	
6-1	SP-ML240-0031	LABEL ROLL GUARD (10SET/BOX)	
6-2	SP-ML240-0032	LABEL SUPPLY SPINDLE (1SET/BOX)	
7	SP-ML240-0033	RIBBON SUPPLY SPINDLE ASSY (1SET/BOX)	
8	SP-ML240-0034	RIBBON ENCODER SENSOR ASSY (1SET/BOX)	
9	SP-ML240-0035	RIBBON REWIND SPINDLE ASSY (1SET/BOX)	
10	SP-ML240-0036	POWER BRACKET, FOR POWER SUPPLY (1SET/BOX)	

* Available only in Hardware Field Kit (P/N: SP-ML240-0041)

6. Optional Items & Accessories



No.	Part No.	Description	Suggested Attach Rate
1	SP-COM-1001	POWER CORD, IEC C13, US (1PC/BAG)	
	SP-COM-2001	POWER CORD, IEC C13, EU (90 DEGREE) (1PC/BAG)	
	SP-COM-9001	POWER CORD, IEC C13, BR (1PC/BAG)	
	SP-COM-3001	POWER CORD, IEC C13, UK (1PC/BAG)	
	SP-COM-6001	POWER CORD, IEC C13, CH (1PC/BAG)	
	SP-COM-4001	POWER CORD, IEC C13, AU (1PC/BAG)	
	SP-COM-5001	POWER CORD, IEC C13, JP (1PC/BAG)	
	SP-COM-B005	POWER CORD, IEC C13, KR (1PC/BAG)	
	SP-COM-H001	POWER CORD, IEC C13, TW (1PC/BAG)	
	SP-COM-A001	POWER CORD, IEC C13, CN (1PC/BAG)	
	SP-COM-D001	POWER CORD, IEC C13, TH (1PC/BAG)	
2	SP-COM-0002	USB CABLE, 1.5M (1PC/BAG)	
3	CUT-ML240-0001	REGULAR GUILLOTINE CUTTER MODULE, ML240P (1SET/BOX)	
4	PEL-ML240-0001	PEEL-OFF MODULE, ML240P (1SET/BOX)	
5	SP-MB240-0047	INTERNAL BLUETOOTH 4.2 MODULE (1SET/BOX)	

No.	Part No.	Description	Suggested Attach Rate
6	WF-COM-0003	SLOT-IN WI-FI KIT (1SET/BOX)	
6-1	WF-COM-0004	SLOT-IN WI-FI MODULE (1SET/BOX)	
6-2	SP-COM-0007	SLOT-IN WI-FI HOUSING WITH TRANSFER BOARD (1SET/BOX)	
7	OP-COM-0017	CUTTER TRAY (1SET/BOX)	
8	OP-COM-0001	UNIVERSAL CUTTER CATCH TRAY (1SET/BOX)	
N/S	SP-COM-0001	CLEANING PEN (12PCS/BOX)	
N/S	SP-ML240-0037	PACKING CARTON (1PC/SET)	1%
N/S	SP-ML240-0038	FRONT CUSHION PACKING (1PC/BOX)	1%
N/S	SP-ML240-0039	REAR CUSHION PACKING (1PC/BOX)	1%
N/S	SP-ML240-0040	UPPER MECHANISM CUSHION PACKING (1PC/BOX)	
N/S	SP-ML240-0041	FIELD KIT, HARDWARE (1SET/BOX)	
N/S	SP-ML240-0042	RE-SHIP KIT (1SET/BOX)	

N/S: Not shown in the image.

Revision History

Date	Content	Editor
2023/01/12	First release	Peter Yao
2023/01/30	Updated the Hardware Field Kit part number as SP-ML240-0041 on page 1, 4, and 5.	Peter Yao
2023/05/09	Changed the terminology “CTN” to “BOX” for all instances in this list.	Peter Yao

TSC **PRINTRONIX**[®]
AUTO ID