

Industrial Barcode Printer

MH241 Series

Thermal Transfer ▪ Direct Thermal

Series Models

MH241/MH341/MH641/
MH241T/MH341T/MH641T/
MH241P/MH341P/MH641P



Parts List

Copyright

©2023 TSC Auto ID Technology Co., Ltd.

The copyright in this manual, the software and firmware in the printer described are owned by TSC Auto ID Technology Co., Ltd. All rights reserved.

CG Triumvirate is a trademark of Agfa Corporation. CG Triumvirate Bold Condensed font is under license from the Monotype Corporation. Windows is a registered trademark of Microsoft Corporation.

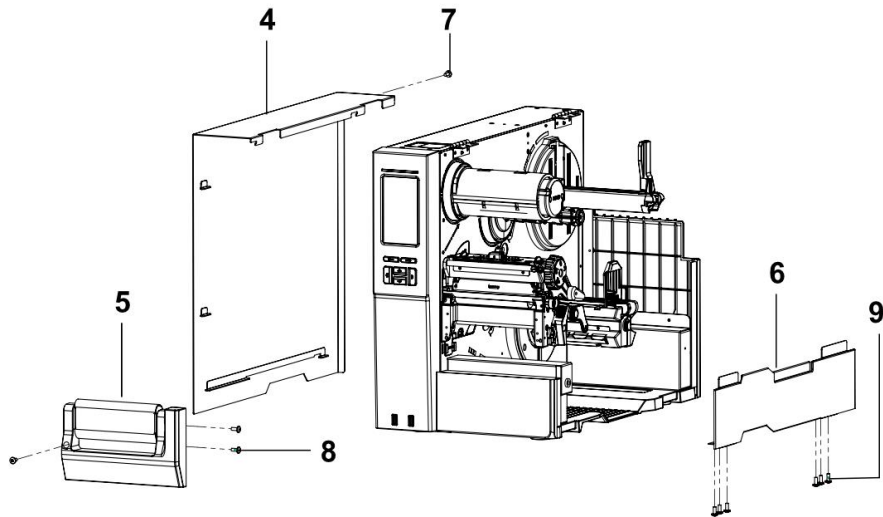
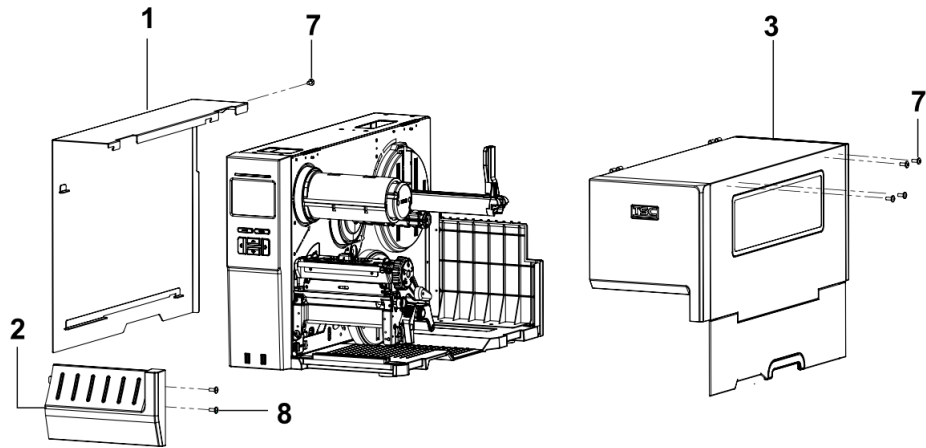
All other trademarks are the property of their respective owners. Information in this document is subject to change without notice and does not represent a commitment on the part of TSC Auto ID Technology Co. No part of this manual may be reproduced or transmitted in any form or by any means, for any purpose other than the purchaser's personal use, without the expressed written permission of TSC Auto ID Technology Co.

CONTENT

| | |
|--|----|
| Part List | 3 |
| 1. Printer Cover Assemblies | 3 |
| 2. LCD Panel & Keypad Assemblies | 4 |
| 3. Electronics Side Assemblies | 6 |
| 4. Media Side Assemblies-1..... | 7 |
| 5. Media Side Assemblies-2..... | 8 |
| 6. Accessories | 9 |
| 7. Options..... | 10 |
| Update History | 12 |

Part List

1. Printer Cover Assemblies

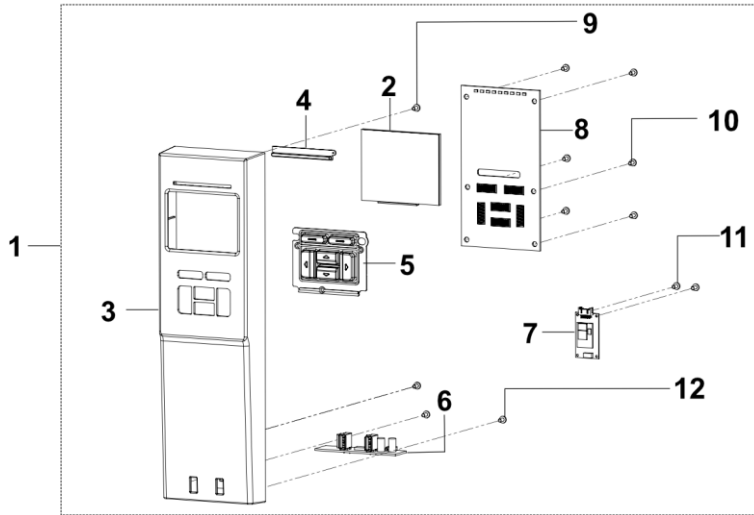


| NO. | PART NO. | DESCRIPTION | SUGGEST ATTACH RATE |
|-----|---------------|--|---------------------|
| 1 | SP-MH241-0001 | ELECTRONIC COVER (MH241/MH241T SERIES) | |
| 2 | SP-MH241-0002 | LOWER FRONT COVER (MH241/MH241T) | |
| 3 | SP-MH241-0003 | MEDIA COVER ASSY | 1% |
| 4 | SP-MH241-0004 | ELECTRONIC COVER (MH241P SERIES) | |
| 5 | SP-MH241-0005 | LOWER FRONT COVER (MH241P SERIES) | |
| 6 | SP-MH241-0006 | ELECTRONIC LOWER COVER (MH241P SERIES) | |
| 7* | -- | MACHINE SPRING WASHER SCREW, M3*6 | |
| 8* | -- | MACHINE SCREW, M3*6 | |
| 9* | -- | MACHINE SCREW, M3*5 | |

* NOTE: Available only in Hardware Field Kit (P/N: SP-MH241-0052)

2. LCD Panel & Keypad Assemblies

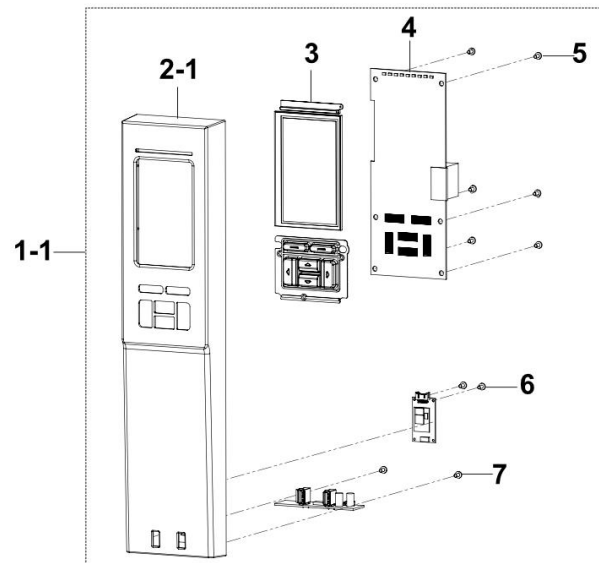
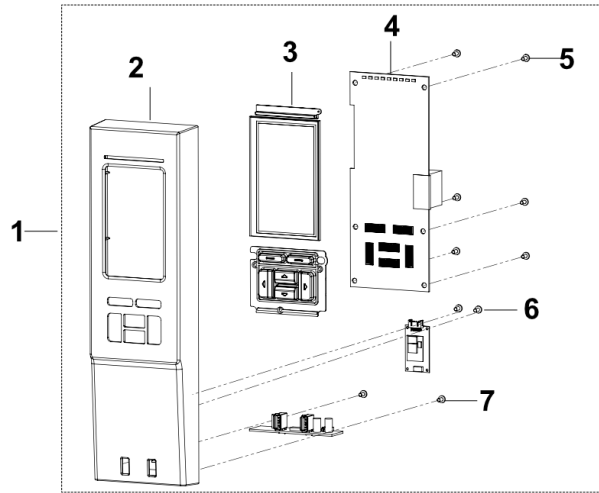
2.1 For MH241 Series



| NO. | PART NO. | DESCRIPTION | SUGGEST ATTACH RATE |
|-----|---------------|--|---------------------|
| 1 | SP-MH241-0007 | LCD PANEL COVER ASSY (MH241 SERIES) | 1% |
| 2 | SP-MH241-0008 | 3.5" LCD (MH241 Series) | 1% |
| 3 | SP-MH241-0009 | LEFT FRONT PANEL COVER ASSY (MH241 SERIES) | 1% |
| 4 | SP-MH241-0010 | LED LIGHT GUIDE | |
| 5 | SP-MH241-0011 | KEYPAD | |
| 6 | SP-MH241-0012 | USB HOST PCB ASSY | 1% |
| 7 | SP-MH241-0013 | MFI BT MODULE (FACTORY OPTION) | 1% |
| 8 | SP-MH241-0014 | LCD PANEL BOARD ASSY (MH241 SERIES) | 1% |
| 9* | -- | SELF-TAPPING SCREW, TP3*10 | |
| 10* | -- | SELF-TAPPING WASHER SCREW, TP3*5 | |
| 11* | -- | SELF-TAPPING SCREW, TP2*5 | |
| 12* | -- | SELF-TAPPING WASHER SCREW, TP3*6 | |

* NOTE: Available only in Hardware Field Kit (P/N: SP-MH241-0052)

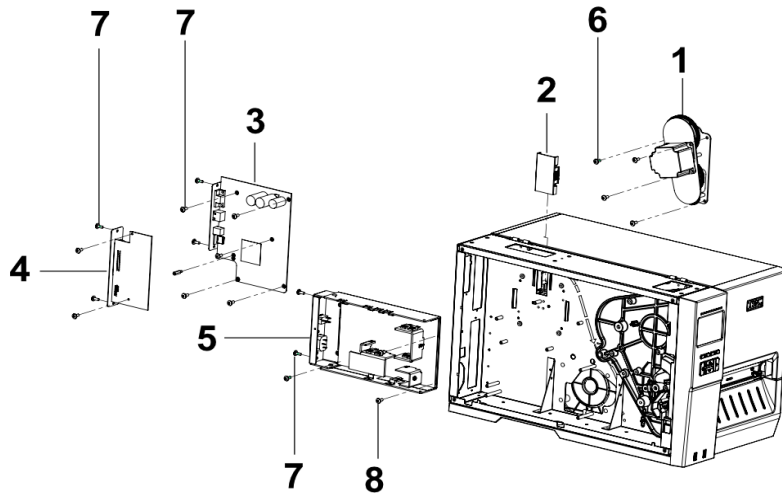
2.2 For MH241T/ MH241P Series



| NO. | PART NO. | DESCRIPTION | SUGGEST ATTACH RATE |
|-----|---------------|---|---------------------|
| 1 | SP-MH241-0015 | LCD PANEL COVER ASSY (MH241T SERIES) | 1% |
| 1-1 | SP-MH241-0016 | LCD PANEL COVER ASSY (MH241P SERIES) | 1% |
| 2 | SP-MH241-0017 | LEFT FRONT PANEL COVER ASSY (MH241T SERIES) | 1% |
| 2-1 | SP-MH241-0018 | LEFT FRONT PANEL COVER ASSY (MH241P SERIES) | 1% |
| 3 | SP-MH241-0019 | 4.3" LCD (MH241T/MH241P SERIES) | 1% |
| 4 | SP-MH241-0020 | LCD PANEL BOARD ASSY (MH241T/MH241P SERIES) | 1% |
| 5* | -- | SELF-TAPPING WASHER SCREW, TP3*5 | |
| 6* | -- | SELF-TAPPING SCREW, TP2*5 | |
| 7* | -- | SELF-TAPPING WASHER SCREW, TP3*6 | |

* NOTE: Available only in Hardware Field Kit (P/N: SP-MH241-0052)

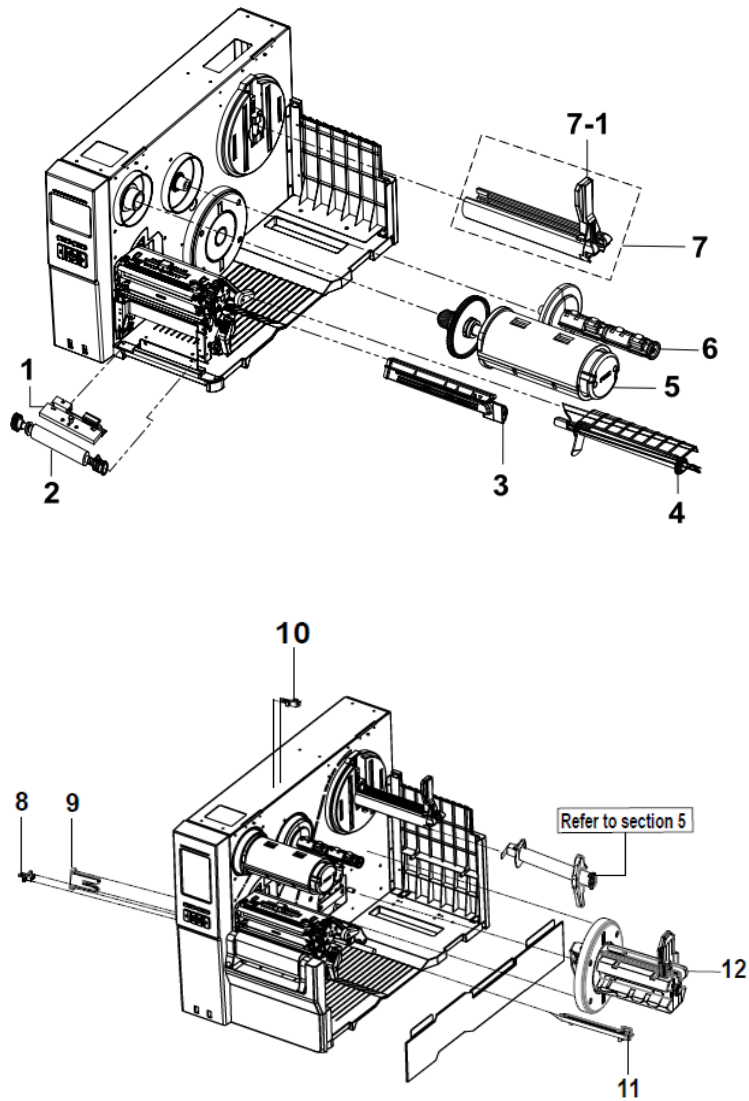
3. Electronics Side Assemblies



| NO. | PART NO. | DESCRIPTION | SUGGEST ATTACH RATE |
|-----|---------------|--|---------------------|
| 1 | SP-MH241-0021 | STEPPING MOTOR ASSY | 1% |
| 2 | SP-MH241-0022 | MEDIA NEAR END SENSOR ASSY | 3% |
| 3 | SP-MH241-0023 | MAIN BOARD ASSY | 5% |
| 4 | SP-MH241-0024 | GPIO interface assembly (DB15F, including parallel port, Factory option) | |
| 5 | SP-MH241-0025 | POWER SUPPLY | 3% |
| 6* | -- | MACHINE SPRING WASHER SCREW, M4*8 | |
| 7* | -- | MACHINE SCREW, M3*6 | |
| 8* | -- | MACHINE WASHER SCREW, M3*12 | |

* NOTE: Available only in Hardware Field Kit (P/N: SP-MH241-0052)

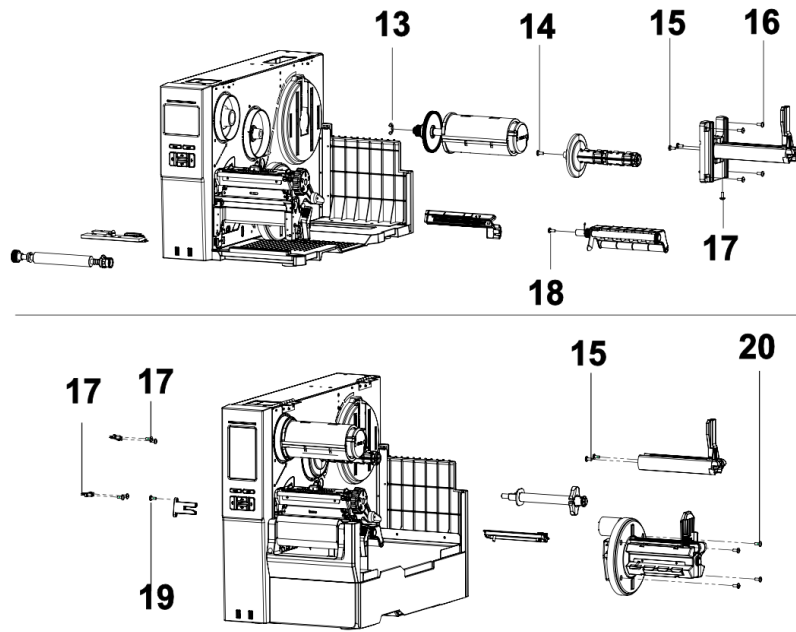
4. Media Side Assemblies-1



| NO. | PART NO. | DESCRIPTION | SUGGEST ATTACH RATE |
|-----|---------------|---|---------------------|
| 1 | PH-MH241-0001 | PRNTHD ASSY, MH241 | 5% |
| | PH-MH241-0002 | PRNTHD ASSY, MH341 | 5% |
| | PH-MH241-0003 | PRNTHD ASSY, MH641 | 5% |
| 2 | SP-MH241-0029 | PLATEN ROLLER ASSY | 3% |
| 3 | SP-MH241-0030 | MEDIA SENSOR MODULE ASSY | 3% |
| 4 | SP-MH241-0031 | MEDIA DAMPER ASSY | |
| 5 | SP-MH241-0032 | RIBBON REWIND SPINDLE ASSY | 2% |
| 6 | SP-MH241-0033 | RIBBON SUPPLY SPINDLE ASSY | 2% |
| 7 | SP-MH241-0034 | LABEL SUPPLY SPINDLE ASSY(MH241/MH241T) | 2% |
| | SP-MH241-0035 | LABEL SUPPLY SPINDLE ASSY (MH241P) | 2% |
| 7-1 | SP-MH241-0056 | LABEL ROLL GUARD, MH241 | |
| 8 | SP-MH241-0036 | TPH OPEN SENSOR ASSY | 3% |
| 9 | SP-MH241-0037 | RIBBON END SENSOR ASSY | 3% |
| 10 | SP-MH241-0038 | RIBBON ENCODER SENSOR ASSY | 3% |
| 11 | SP-MH241-0039 | LABEL GUIDE MODULE | 2% |
| 12 | SP-MH241-0040 | INTERNAL REWINDER ASSY (MH241P SERIES) | 1% |
| N/S | SP-MH241-0063 | MH241 PRINT HEAD HARNESS CABLE | 1% |

N/S: Not shown in the image.

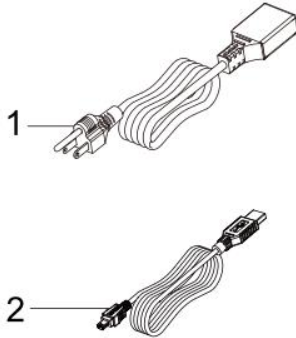
5. Media Side Assemblies-2



| NO. | PART NO. | DESCRIPTION | SUGGEST ATTACH RATE |
|-----|----------|------------------------------------|---------------------|
| 13* | -- | E-RING ID10*OD20*T1.0 | |
| 14* | -- | MACHINE SCREW, M6*12 | |
| 15* | -- | MACHINE WASHER SCREW, M4*10 | |
| 16* | -- | MACHINE SCREW, M4*15 | |
| 17* | -- | MACHINE SCREW, M3*6 | |
| 18* | -- | MACHINE SPRING WASHER SCREW, M4*10 | |
| 19* | -- | MACHINE SCREW, M3*8 | |
| 20* | -- | MACHINE SCREW, M4*8 | |

* NOTE: Available only in Hardware Field Kit (P/N: SP-MH241-0052)

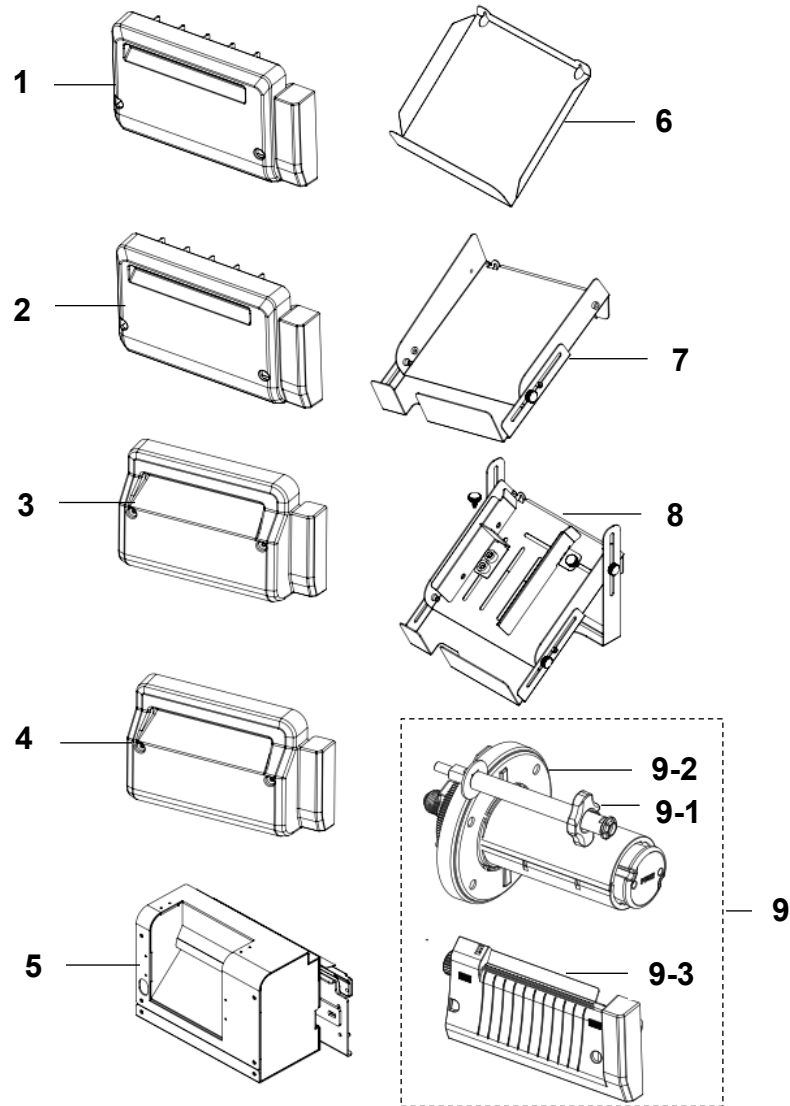
6. Accessories



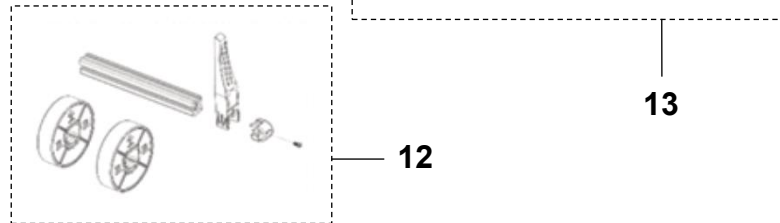
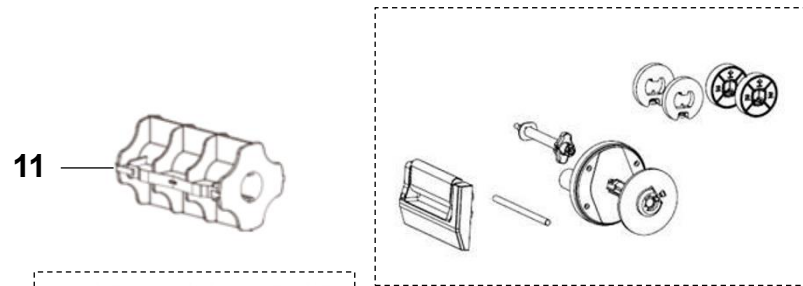
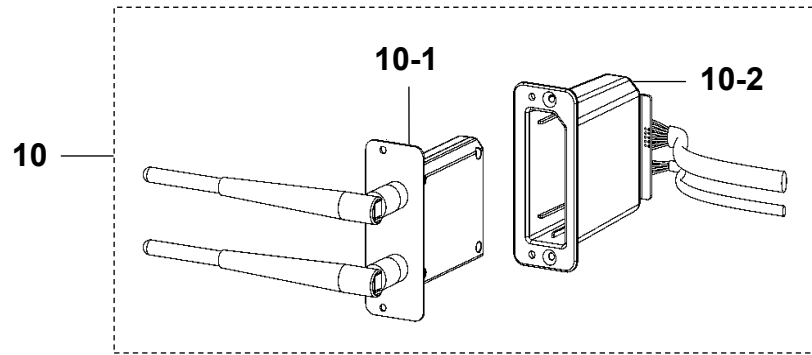
| NO. | PART NO. | DESCRIPTION | SUGGEST ATTACH RATE |
|-----|---------------|--------------------------------|---------------------|
| 1 | SP-COM-1001 | POWER CORD, US | |
| | SP-COM-2001 | POWER CORD, EU 90 DEGREE | |
| | SP-COM-3001 | POWER CORD, UK | |
| | SP-COM-4001 | POWER CORD, AU | |
| | SP-COM-5001 | POWER CORD, JP | |
| | SP-COM-6001 | POWER CORD, CH | |
| | SP-COM-A001 | POWER CORD, CN | |
| | SP-COM-B001 | POWER CORD, BR | |
| | SP-COM-C001 | POWER CORD, KC | |
| | SP-COM-H001 | POWER CORD, TW | |
| | SP-COM-M001 | POWER CORD, MAL_UK | |
| 2 | SP-COM-0002 | USB CABLE | |
| N/S | SP-COM-0001 | CLEANING PEN (MOQ 12PCS/CTN) | |
| N/S | SP-MH241-0041 | PACKING CARTON_MH240 | |
| N/S | SP-MH241-0042 | FRONT CUSHION PACKING | |
| N/S | SP-MH241-0043 | REAR CUSHION PACKING | |
| N/S | SP-MH241-0044 | TOP CUSHION PACKING | |
| N/S | SP-MH241-0045 | RIBBON SPINDLE CUSHION PACKING | |
| N/S | SP-MH241-0046 | TPH CUSHION PACKING | |
| N/S | SP-MH241-0047 | PACKING POLYBAG | |
| N/S | SP-MH241-0052 | FIELD KIT, HARDWARE, MH241 | |

N/S: Not shown in the image.

7. Options



| NO. | PART NO. | DESCRIPTION | SUGGEST ATTACH RATE |
|-----|----------------|---|---------------------|
| 1 | CUT-MH241-0001 | REGULAR CUTTER (GUILLOTINE) | 1% |
| 2 | CUT-MH241-0002 | HEAVY DUTY CUTTER (ROTARY) | 1% |
| 3 | CUT-MH241-0004 | HEAVY DUTY CUTTER (GUILLOTINE) | |
| | SP-MH241-0053 | HEAVY DUTY CUTTER (GUILLOTINE) BLADE MODULE, MH241 | |
| 4 | CUT-MH241-0005 | CARE LABEL CUTTER (GUILLOTINE) | |
| 5 | CUT-MH241-0003 | HIGH SPEED CARE LABEL CUTTER (ROTARY) | |
| 6 | OP-MH241-0001 | BASIC CUTTER TRAY (FOR HEAVY DUTY AND CARE LABEL CUTTER ONLY) | |
| 7 | OP-MH241-0002 | ADVANCED CUTTER TRAY (FOR HEAVY DUTY AND CARE LABEL CUTTER ONLY) | |
| 8 | OP-COM-0001 | UNIVERSAL CUTTER TRAY | |
| 9 | PEL-MH241-0001 | PEEL-OFF KIT (MH241/MH241T ONLY) | |
| 9-1 | SP-MH241-0048 | MEDIA GUIDE FOR PEEL-OFF MODULE ASSY (SPARE PARTS) | |
| 9-3 | SP-MH241-0049 | INTERNAL REWINDER SPINDLE FOR PEEL-OFF MODULE ASSY (MH241/MH241T SERIES, DEALER OPTION) | |



| NO. | PART NO. | DESCRIPTION | SUGGEST ATTACH RATE |
|------|----------------|---|---------------------|
| 10 | WF-COM-1001 | SLOT-IN WI-FI + BT COMBO UPGRADE KIT (US) | 1% |
| | WF-COM-2001 | SLOT-IN WI-FI + BT COMBO UPGRADE KIT (EU) | 1% |
| | WF-COM-4001 | SLOT-IN WI-FI + BT COMBO UPGRADE KIT (AU) | 1% |
| | WF-COM-5001 | SLOT-IN WI-FI + BT COMBO UPGRADE KIT (JP) | 1% |
| | WF-COM-A001 | SLOT-IN WI-FI + BT COMBO UPGRADE KIT (CN) | 1% |
| 10-1 | WF-COM-1002 | SLOT-IN Wi-Fi + BT COMBO MODULE (US) | 1% |
| | WF-COM-2002 | SLOT-IN Wi-Fi + BT COMBO MODULE (EU) | 1% |
| | WF-COM-4002 | SLOT-IN Wi-Fi + BT COMBO MODULE (AU) | 1% |
| | WF-COM-5002 | SLOT-IN Wi-Fi + BT COMBO MODULE (JP) | 1% |
| | WF-COM-A002 | SLOT-IN Wi-Fi + BT COMBO MODULE (CN) | 1% |
| 10-2 | SP-MH241-0051 | SLOT-IN Wi-Fi + BT HOUSING | 1% |
| 11 | OP-MH241-0004 | 3" LABEL CORE REWINDER ADOPTER ASSY | |
| 12 | OP-MH241-0005 | LABEL SUPPLY SPINDLE (1" I.D. ROLL, MH241/MH241T only) | |
| 13 | REW-MH241-0001 | 5" O.D. INTERNAL REWINDING KIT (DEALER OPTION, MH241/ MH241T SERIES WITH 1" I.D. CORE SPINDLE ONLY) | |

Update History

| Date | Content | Editor |
|------------|---|---------|
| 2021/6/4 | Correct the number order for the Option part (12,13) | Linda |
| 2021/6/4 | Modiy the image of Rewinder module on Option Chapt. | Linda |
| 2021/7/2 | Add SP-MH241-0053, MH241 HEAVY DUTY CUTTER BLADE MODULE (SPARE PART) to the part list | Linda |
| 2021/9/2 | Modify: SP-MH241-0026,203 DPI TPH ASSY to PH-MH241-0001 , 203 DPI TPH ASSY SP-MH241-0027,300 DPI TPH ASSY to PH-MH241-0002, 300 DPI TPH ASSY SP-MH241-0028,600 DPI TPH ASSY to PH-MH241-0003, 600 DPI TPH ASSY | Linda |
| 2021/9/13 | Add SP-MH241-0053,HEAVY DUTY CUTTER (GUILLOTINE) BLADE MODULE, MH241 Add SP-MH241-0055, LABEL ROLL GUARD, MH241 | Linda |
| 2021/10/13 | Modify the picture on Right Side Assemblies Chapter | Linda |
| 2022/2/8 | Add: PH-MH241-0004, PRNTHD ASSY, MH241 (ALTERNATIVE) PH-MH241-0005, PRNTHD ASSY, MH341 (ALTERNATIVE) PH-MH241-0006, PRNTHD ASSY, MH641 (ALTERNATIVE) PH-MH241-0004, PRNTHD ASSY, MH241 (ALTERNATIVE) | Linda |
| 2024/1/24 | Modify the description for SP-MH241-0005 Modify the the LABEL ROLL GUARD, MH241 P/N to SP-MH241-0056 | Camille |
| 2024/2/22 | Modify the description for TPHs Remove the ALTERNATIVE TPHs Add PRINT HEAD HARNESS CABLE P/N Remove the SP-MH241-0053 (HEAVY DUTY CUTTER BLADE MODULE) Modify the description for OP-MH241-0005 | Camille |
| | | |
| | | |



www.tscprinters.com