

Industrial Barcode Printer

# MB240 Series

*Thermal Transfer • Direct Thermal*

## Series Models

MB240/MB340

MB240T/MB340T



Parts List

# Copyright

©2023 TSC Auto ID Technology Co., Ltd.

The copyright in this manual, the software and firmware in the printer described are owned by TSC Auto ID Technology Co., Ltd. All rights reserved.

CG Triumvirate is a trademark of Agfa Corporation. CG Triumvirate Bold Condensed font is under license from the Monotype Corporation. Windows is a registered trademark of Microsoft Corporation.

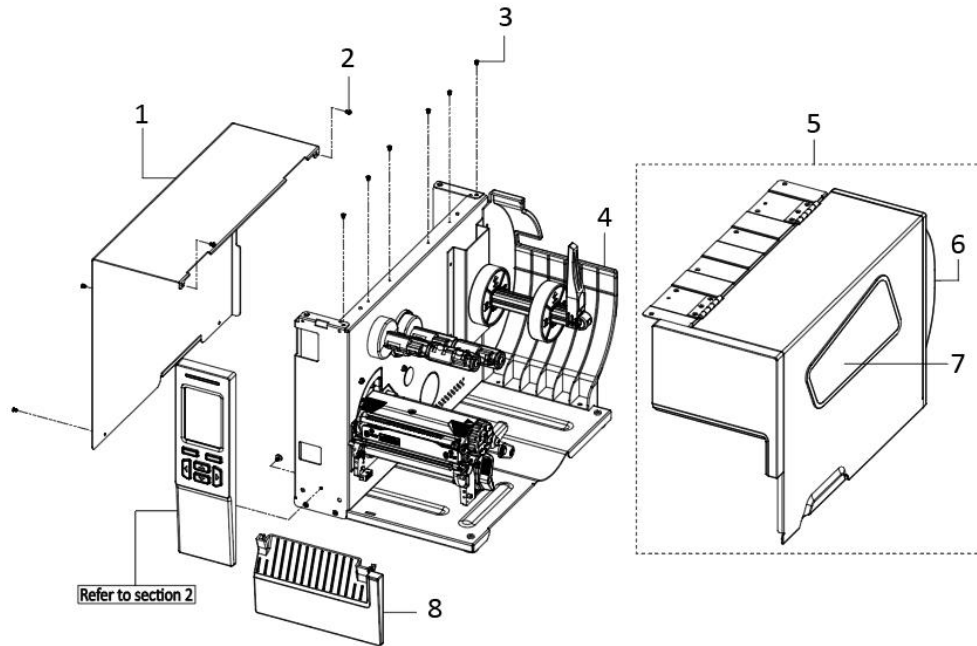
All other trademarks are the property of their respective owners. Information in this document is subject to change without notice and does not represent a commitment on the part of TSC Auto ID Technology Co. No part of this manual may be reproduced or transmitted in any form or by any means, for any purpose other than the purchaser's personal use, without the expressed written permission of TSC Auto ID Technology Co.



# Contents

1. Printer Cover Assemblies .....	2
2. LCD panel & Keypad Assembly .....	3
3. Print Engine Top Mechanism Assembly .....	4
4. Print Engine Lower Mechanism Assembly .....	5
5. Electronics Maintenance Kit & Drive system .....	6
6. Option & Accessories.....	7
7. MB Print Module.....	9
Revision History .....	10

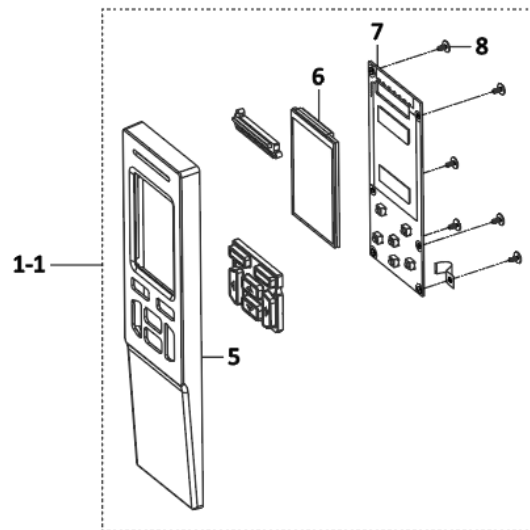
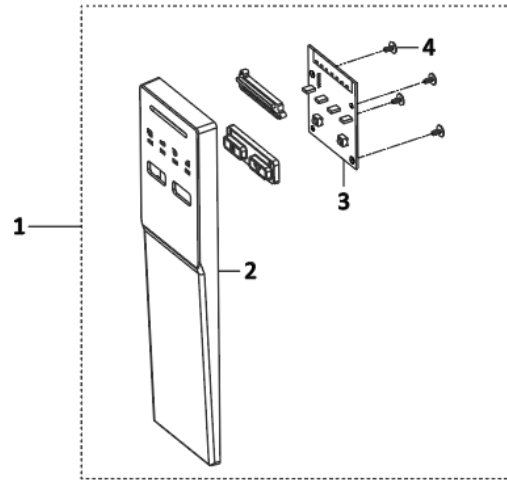
# 1. Printer Cover Assemblies



NO.	PART NO.	DESCRIPTION	SUGGEST ATTACH RATE
1	SP-MB240-0004	ELECTRONICS COVER (1SET/BOX)	1%
2*	--	SCREW, M3X4	
3*	--	SCREW, M3X5	
4	SP-MB240-0005	LOWER MEDIA COVER (1SET/BOX)	1%
5	SP-MB240-0006	TOP RIGHT SIDE COVER ASSY (1SET/BOX)	1%
6	SP-MB240-0007	UPPER REAR MEDIA COVER (1SET/BOX)	1%
7	SP-MB240-0008	MEDIA WINDOW (1SET/BOX)	1%
8	SP-MB240-0010	LOWER FRONT PANEL (1SET/BOX)	1%

\* Available only in Hardware Field Kit (P/N: SP-MB240-0058)

## 2. LCD panel & Keypad Assembly

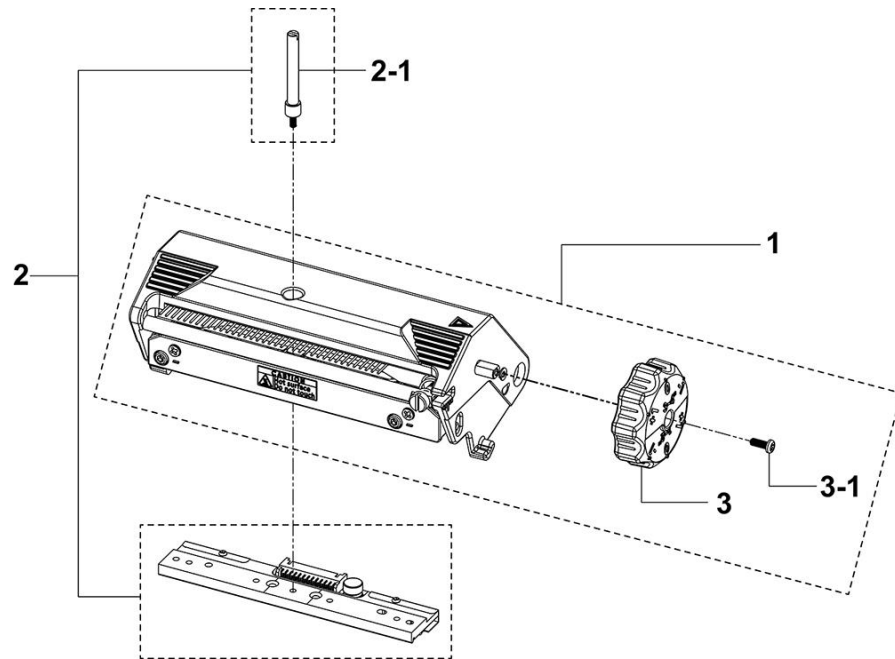


NO.	PART NO.	DESCRIPTION	SUGGEST ATTACH RATE
1	SP-MB240-0011	LED PANEL ASSY, MB240 (1SET/BOX)	1%
1-1	SP-MB240-0012	LCD PANEL ASSY, MB240T (1SET/BOX)	1%
2	SP-MB240-0013	LED FRONT PANEL COVER, MB240 (1SET/BOX)	1%
3	SP-MB240-0014	LED PANEL BOARD ASSY, MB240 (1SET/BOX)	1%
4*	--	SCREW, TP3X6	
5	SP-MB240-0015	LCD FRONT PANEL COVER, MB240T (1SET/BOX)	1%
6	SP-MB240-0016	3.5-INCH LCD, MB240T (1SET/BOX)	1%
7	SP-MB240-0017	LCD PANEL BOARD ASSY, MB240T (1SET/BOX)	1%
8*	--	SCREW, TP3X6	
N/S	SP-MB240-0018	LCD FFC CABLE, MB240T (1SET/BOX)	1%
N/S	SP-MB240-0019	LED CABLE, MB240 (1SET/BOX)	1%

\* Available only in Hardware Field Kit (P/N: SP-MB240-0058)

N/S: Not shown in the image.

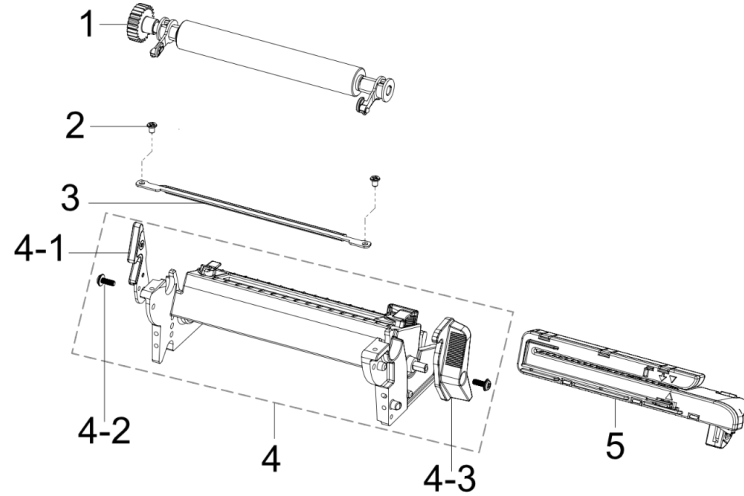
### 3. Print Engine Top Mechanism Assembly



NO.	PART NO.	DESCRIPTION	SUGGEST ATTACH RATE
1	SP-MB240-0069	UPPER BASE MODULE (1SET/BOX)	
2	PH-MB240-0001	PRINthead ASSY, MB240 (1SET/BOX)	5%
	PH-MB240-0003	PRINthead ASSY, MB240 (ALTERNATIVE) (1SET/BOX)	5%
	PH-MB240-0002	PRINthead ASSY, MB340 (1SET/BOX)	5%
	PH-MB240-0004	PRINthead ASSY, MB340 (ALTERNATIVE) (1SET/BOX)	5%
N/S	SP-MB240-0022	PRINthead HARNESS CABLE (1SET/BOX)	1%
2-1	SP-MB240-0021	PRINthead LOCKING SCREW (2PCS/BOX)	1%
3	SP-MB240-0044	PRINthead PRESSURE ADJUST KNOB (3SET/BOX)	1%
3-1*	--	SCREW, M3X8L	

\* Available only in Hardware Field Kit (P/N: SP-MB240-0058)

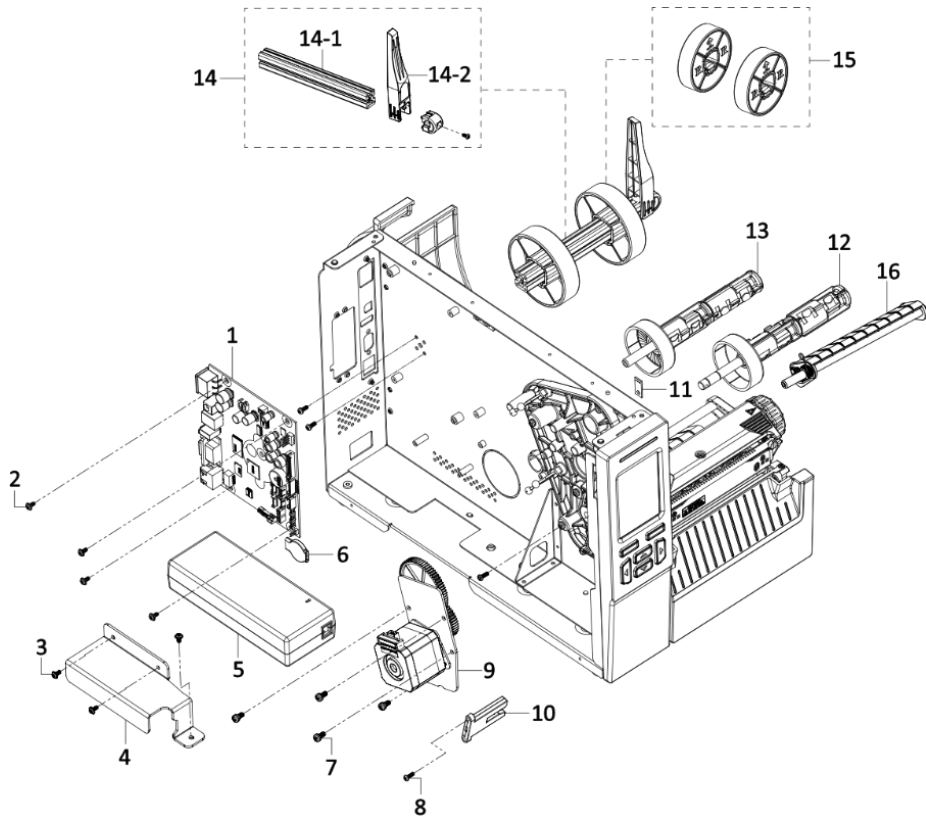
## 4. Print Engine Lower Mechanism Assembly



NO.	PART NO.	DESCRIPTION	SUGGEST ATTACH RATE
1	SP-MB240-0023	PLATEN ROLLER ASSY (1SET/BOX)	3%
2*	--	SCREW, M3X4	
3	SP-MB240-0024	TEAR BAR (5PCS/BOX)	1%
4	SP-MB240-0025	PRINT ENGINE LOWER MECHANISM ASSY (1SET/BOX)	2%
4-1	SP-MB240-0027	HANDLE, INNER HOOK (3SET/BOX)	2%
4-2*	--	SCREW, M3X5	
4-3	SP-MB240-0026	HANDLE, OUTER HOOK (3SET/BOX)	2%
5	SP-MB240-0028	MEDIA SENSOR ASSY (1SET/BOX)	5%
	SP-MB240-0071	MEDIA SENSOR ASSY_LINERLESS (1SET/BOX)	5%

\* Available only in Hardware Field Kit (P/N: SP-MB240-0058)

## 5. Electronics Maintenance Kit & Drive system



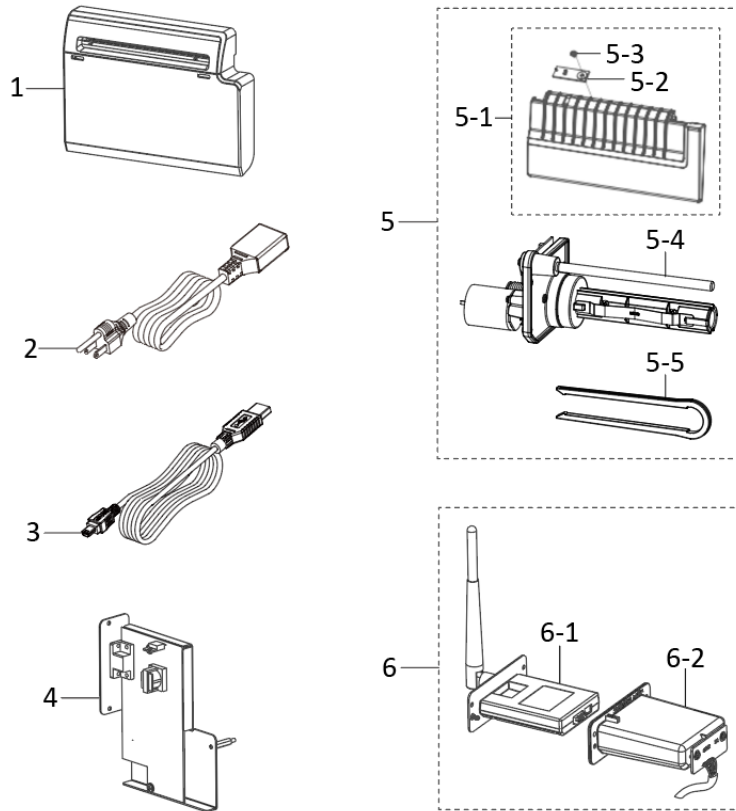
NO.	PART NO.	DESCRIPTION	SUGGEST ATTACH RATE
1	SP-MB240-0029	MAIN BOARD ASSY (1SET/BOX)	5%
2*	--	SCREW, M3X6, FOR MAIN BOARD ASSY	
3*	--	SCREW, M3X6	
4	SP-MB240-0030	POWER BRACKET, FOR POWER SUPPLY (1SET/BOX)	1%
5	SP-MB240-0031	POWER SUPPLY UNIT (1SET/BOX)	3%
6	SP-COM-0009	CR2032 BATTERY FOR RTC SPARE PART (4 PSC/BOX)	
7*	--	SCREW, M4X8L, FOR STEPPING MOTOR ASSY	
8*	--	SCREW, M3X8	
9	SP-MB240-0033	STEPPING MOTOR ASSY (1SET/BOX)	1%
10	SP-MB240-0034	RIBBON END SENSOR ASSY (1SET/BOX)	3%
11	SP-MB240-0035	RIBBON ENCODER SENSOR ASSY (1SET/BOX)	3%
12	SP-MB240-0036	RIBBON REWIND SPINDLE ASSY (1SET/BOX)	3%
13	SP-MB240-0037	RIBBON SUPPLY SPINDLE ASSY (1SET/BOX)	3%
14	SP-MB240-0038	LABEL SUPPLY SPINDLE ASSY (1SET/BOX)	3%
14-1	SP-MB240-0039	LABEL SUPPLY SPINDLE (1SET/BOX)	1%
14-2	SP-MB240-0040	LABEL ROLL GUARD (110/)	1%
15	SP-COM-0018	3-INCH CORE ADAPTER (4SET/BOX)	1%
16	SP-MB240-0009	MEDIA DAMPER ASSY (1SET/BOX)	1%
N/S	SP-MB240-0042	HOUSING+WIRE, 2.0MM 8 PIN+ 2.0MM, 5 PIN TO MX3.0 CONNECTOR (1SET/BOX)	1%

\* Available only in Hardware Field Kit (P/N: SP-MB240-0058)

N/S: Not shown in the image.

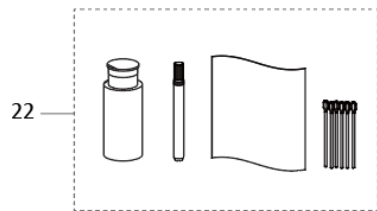
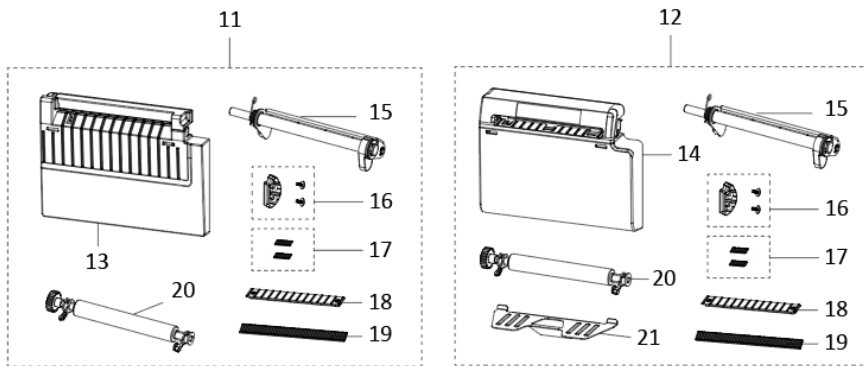
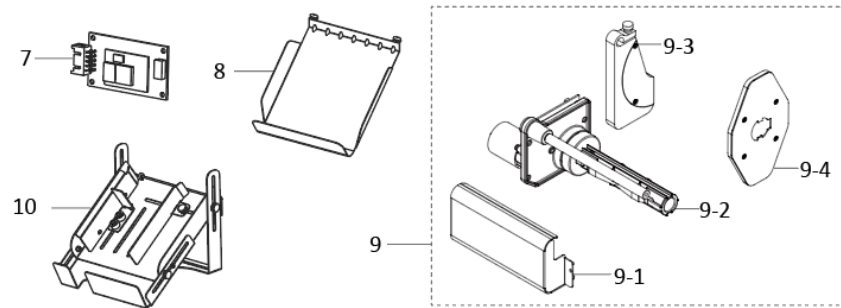


## 6. Option & Accessories



NO.	PART NO.	DESCRIPTION	SUGGEST ATTACH RATE
1	CUT-MB240-0001	REGULAR GUILLOTINE CUTTER MODULE (1SET/BOX)	1%
2	SP-COM-1001	POWER CORD, IEC C13, US (1PC/BAG)	
	SP-COM-2001	POWER CORD, IEC C13, EU (90 DEGREE) (1PC/BAG)	
	SP-COM-3001	POWER CORD, IEC C13, UK (1PC/BAG)	
	SP-COM-4001	POWER CORD, IEC C13, AU (1PC/BAG)	
	SP-COM-5001	POWER CORD, IEC C13, JP (1PC/BAG)	
	SP-COM-6001	POWER CORD, IEC C13, CH (1PC/BAG)	
	SP-COM-9001	POWER CORD, IEC C13, BR (1PC/BAG)	
	SP-COM-A001	POWER CORD, IEC C13, CN (1PC/BAG)	
	SP-COM-B001	POWER CORD, IEC C13, KR (1PC/BAG)	
	SP-COM-H001	POWER CORD, IEC C13, TW (1PC/BAG)	
	SP-COM-H004	POWER CORD, IEC C13, TW (2ND SOURCE) (1PC/BAG)	
SP-COM-D001	POWER CORD, IEC C13, TH (1PC/BAG)		
3	SP-COM-0002	USB CABLE, 1.5M (1PC/BAG)	
4	OP-MB240-0001	GPIO INTERFACE ASSY, DB15F (1SET/BOX)	
5	PEL-MB240-0002	PEEL-OFF KIT (1SET/BOX)	1%
5-1	SP-MB240-0001	PEEL-OFF MODULE (1SET/BOX)	1%
5-2	SP-MB240-0045	PEEL SENSOR PCB ASSY (1PC/BOX)	
5-3*	--	SCREW, M3X4	
5-4	SP-MB240-0002	LINER REWINDING SPINDLE ASSY (1SET/BOX)	1%
5-5	SP-MB240-0046	LINER SECURING CLIP (1SET/BOX)	
6	WF-COM-0003	SLOT-IN WI-FI KIT (1SET/BOX)	
6-1	WF-COM-0004	SLOT-IN WI-FI MODULE (1SET/BOX)	
6-2	SP-COM-0007	SLOT-IN WI-FI HOUSING WITH TRANSFER BOARD (1SET/BOX)	

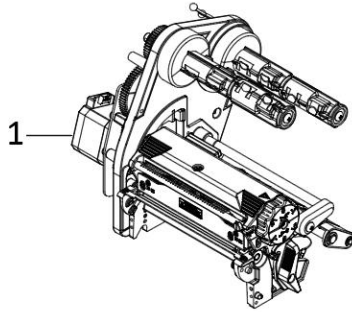
\* Available only in Hardware Field Kit (P/N: SP-MB240-0058)



NO.	PART NO.	DESCRIPTION	SUGGEST ATTACH RATE
7	SP-MB240-0047	INTERNAL BLUETOOTH 4.2 MODULE (1SET/BOX)	
8	OP-COM-0017	CUTTER TRAY (1SET/BOX)	
9	REW-MB240-0001	INTERNAL REWINDING KIT (1SET/BOX)	
9-1	SP-MB240-0049	INTERNAL REWINDING PANEL (1SET/BOX)	
9-2	SP-MB240-0003	MEDIA REWINDING SPINDLE ASSY (1SET/BOX)	
9-3	SP-MB240-0051	EXTERNAL LABEL ROLL GUARD FOR INTERNAL REWINDING SPINDLE ASSY (1SET/BOX)	
9-4	SP-MB240-0050	INTERNAL LABEL ROLL GUARD FOR INTERNAL REWINDING SPINDLE ASSY (1SET/BOX)	
10	OP-COM-0001	UNIVERSAL CUTTER CATCH TRAY (1SET/BOX)	
11	TEAR-MB240-0001	LINERLESS TEAR-OFF KIT (1SET/BOX)	1%
12	CUT-MB240-0002	LINERLESS CUTTER KIT (1SET/BOX)	1%
13	SP-MB240-0068	LINERLESS TEAR MODULE (1SET/BOX)	
14	SP-MB240-0066	LINERLESS CUTTER MODULE (1SET/BOX)	
15	SP-MB240-0061	MEDIA DAMPER ASSY (1PC/BOX)	
16	SP-MB240-0072	SENSOR BAR HANDLE (GREEN) & SCREWS (3SET/BOX)	
17	SP-MB240-0073	SENSOR BAR LINERLESS PAD (8PCS/BOX)	
18	SP-MB240-0063	RUBBER COVER (5PCS/BOX)	
19	SP-MB240-0064	LINERLESS PAD (5PCS/BOX)	
20	SP-MB240-0065	LINERLESS PLATEN ROLLER ASSY (1SET/BOX)	
21	SP-MB240-0067	LINERLESS CUTTER TRAY (1SET/BOX)	
22	SP-COM-0025	LINERLESS PRINTER CLEANING KIT (1SET/BOX)	
N/S	SP-COM-0001	CLEANING PEN (12PCS/BOX)	
N/S	SP-MB240-0053	PACKING CARTON (1PC/SET)	
N/S	SP-MB240-0054	FRONT CUSHION PACKING (4PCS/BOX)	
N/S	SP-MB240-0055	REAR CUSHION PACKING (4PCS/BOX)	
N/S	SP-MB240-0056	UPPER MECHANISM CUSHION PACKING (1PC/BOX)	
N/S	SP-MB240-0057	PACKING POLYBAG (10PCS/BOX)	
N/S	SP-MB240-0058	FIELD KIT, HARDWARE (1SET/BOX)	
N/S	SP-MB240-0059	RE-SHIP KIT (1SET/BOX)	

N/S: Not shown in the image.

## 7. MB Print Module



NO.	PART NO.	DESCRIPTION	SUGGEST ATTACH RATE
1	PM-MB240-0001	Print module (203 dpi) without main board, power supply unit and power cord	
	PM-MB240-0002	Print module (300 dpi) without main board, power supply unit and power cord	

# Revision History

Date	Content	Editor
2023/01/31	Updated the parts numbers	Camille
2023/05/29	Added linerless parts numbers	Camille
2023/06/26	Added linerless printer cleaning kit (1set/box)	Camille
2023/08/16	Updated the part number for upper mechanism assembly, page 3.	Peter Yao
2023/12/25	<ul style="list-style-type: none"><li>◆ Added MEDIA SENSOR ASSY_LINERLESS P/N (SP-MB240-0071)</li><li>◆ Updated LINERLESS PRINTER CLEANING KIT P/N</li></ul>	Camille Pao
2024/01/11	<ul style="list-style-type: none"><li>◆ Removed SP-MB240-0062 P/N (MEDIA SENSOR ASSY (1PC/BOX))</li><li>◆ Added SENSOR BAR HANDLE (GREEN) &amp; SCREWS (3SET/BOX) P/N (SP-MB240-0072)</li><li>◆ Added SENSOR BAR LINERLESS PAD (8PCS/BOX) P/N (SP-MB240-0073)</li></ul>	Camille Pao
2024/4/30	Updated the part number for LABEL ROLL GUARD	Camille



[www.tscprinters.com](http://www.tscprinters.com)