

Desktop Barcode Printer

DH240 Series

Direct Thermal

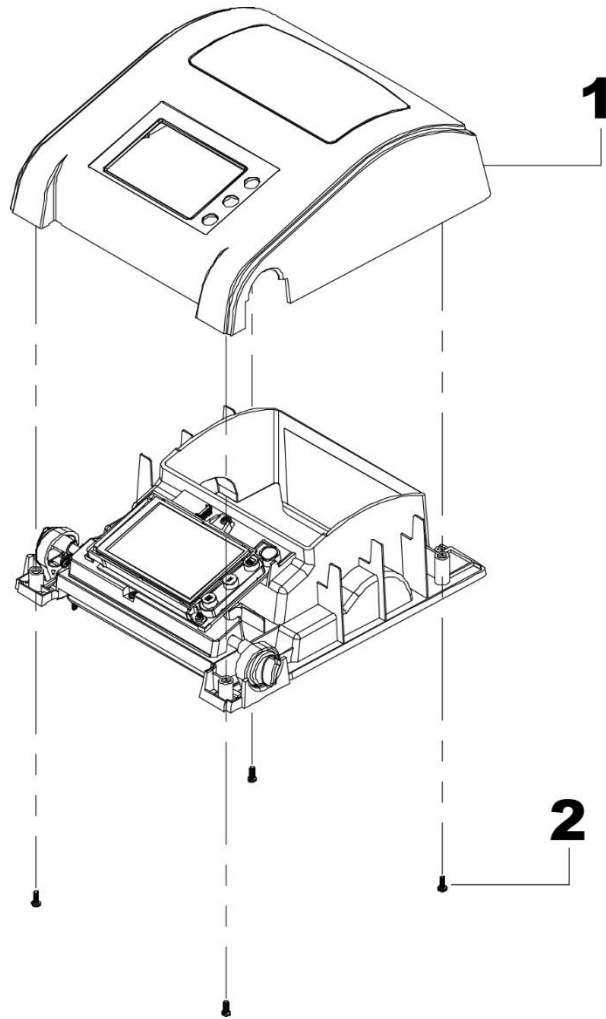


Parts List

Contents

- 1 Top Cover Assembly 1
- 2 Top Inner Cover Assembly 2
- 3 Lower Inner Cover Assembly 3
- 4 Screws for Lower Inner Cover Assembly..... 4
- 5 Bottom Cover Assembly 5
- 6 Options and Accessories..... 6
- Revision History 8

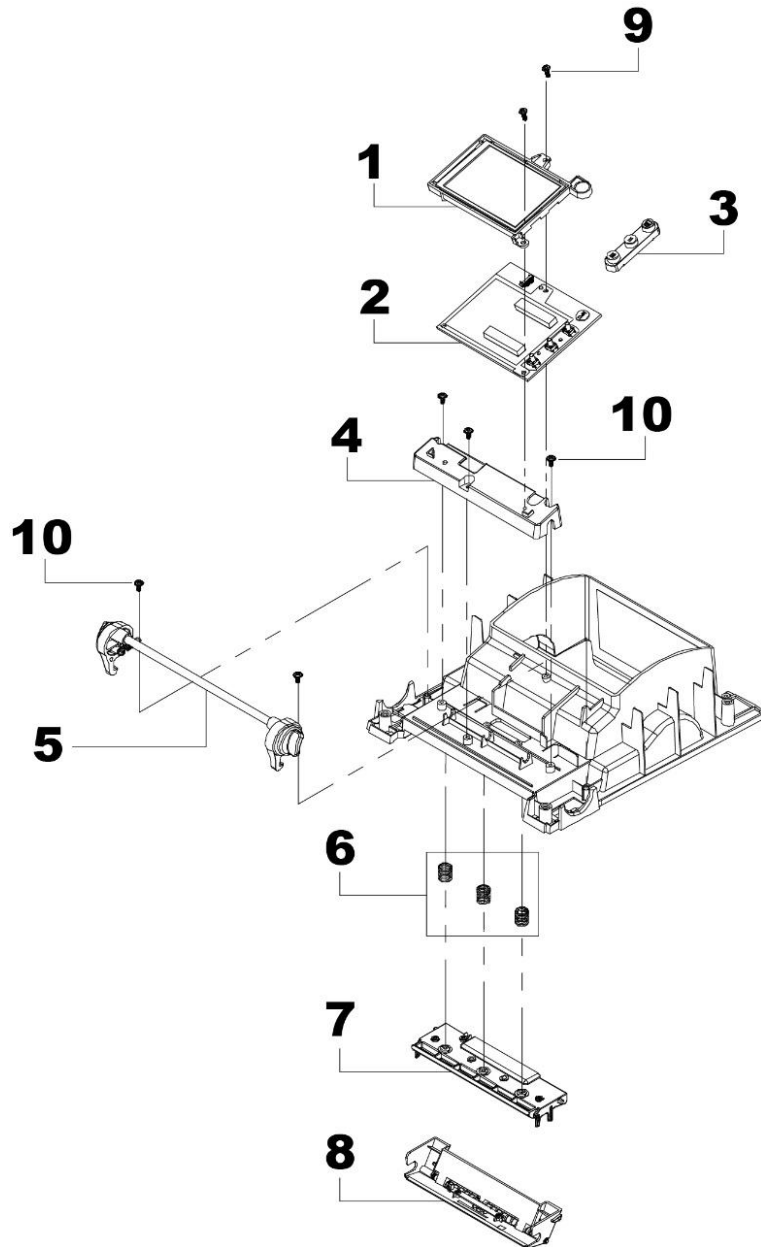
1 Top Cover Assembly



No.	Part No.	Description	Suggested Attached Rate
1	SP-DH240-0001	TOP COVER ASSY (1SET/BAG)	1%
	SP-DH240HC-0001	TOP COVER ASSY, DH240HC (1SET/BAG)	1%
2*	37-1403010-34LF	SELF-TAPPING SCREW-TP3xL10	

*Available only in Hardware Field Kit (P/N: SP-DH240-0017)

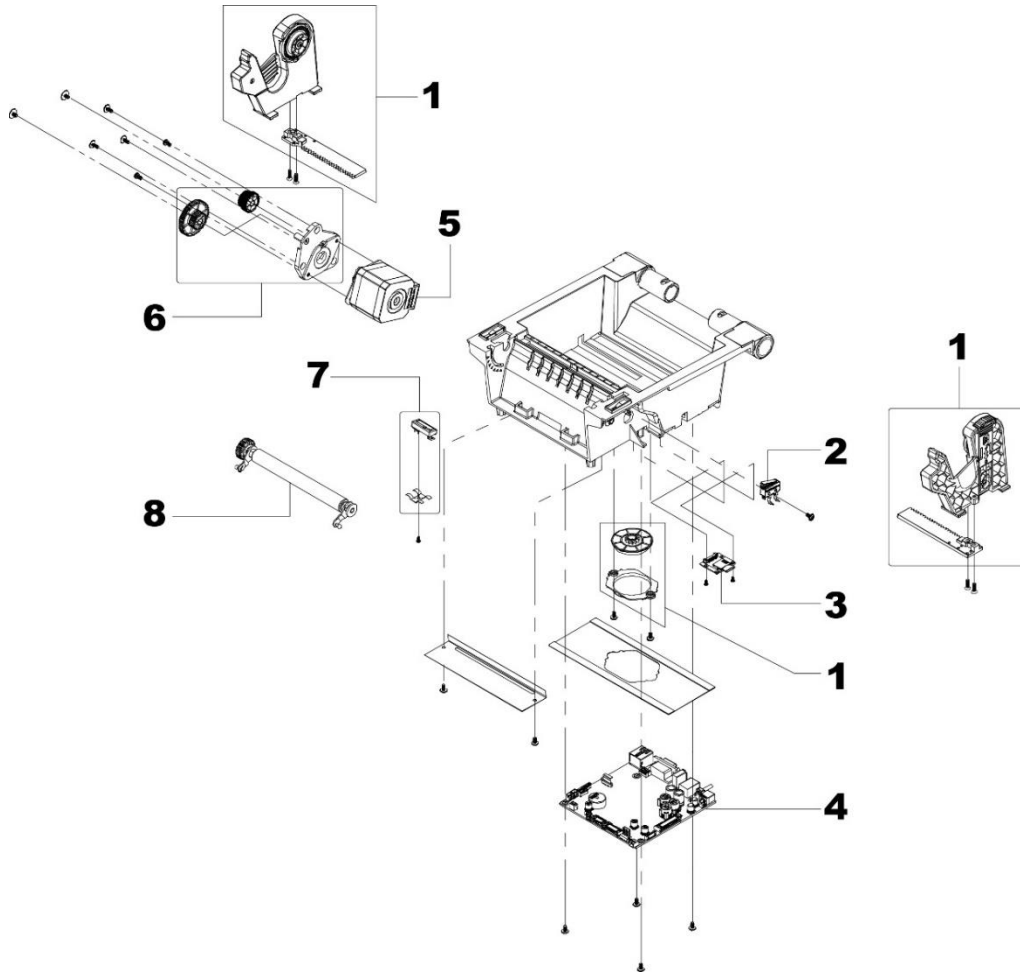
2 Top Inner Cover Assembly



No.	Part No.	Description	Suggested Attached Rate
1	SP-TH240-0005	LCD MODULE ASSY, TH240/DH240/TH220/DH220 (1SET/BOX)	1%
2	SP-TH240-0006	LCD PCBA ASSY, TH240/DH240/TH220/DH220 (1SET/BOX)	1%
3	SP-TH240-0007	FUNCTION KEY, TH240/DH240/TH220/DH220 (3PCS/BAG)	1%
4	SP-DH240-0002	HOOK COVER (1PC/BAG)	1%
5	SP-DH240-0003	OPEN LEVER ASSY (3SETS/BAG)	1%
	SP-DH240HC-0002	OPEN LEVER ASSY, DH240HC (3SETS/BAG)	1%
6	SP-TH240-0013	PRINthead SPRING, TH240/DH240 (5SETS/BAG)	1%
7	PH-DH240-0001	PRNTHD ASSY, DH240 (1SET/BOX)	3%
	PH-DH240-0002	PRNTHD ASSY, DH340 (1SET/BOX)	3%
8	SP-DH240-0004	PRINthead COVER WITH UPPER BLACK MARK SENSOR ASSY (1SET/BOX)	1%
9*	37-1403008-34LF	SELF-TAPPING SCREW-TP3xL8	
10*	37-1403006-74LF	SELF-TAPPING WASHER SCREW-TP3xL6xψ7	
N/S	SP-DH240-0005	PRINthead CABLE (1PC/BAG)	1%
N/S	SP-DH240-0006	LCD FFC CABLE (1PC/BAG)	1%
N/S	SP-TH240-0018	PANEL CABLE, TH240/DH240 (1PC/BAG)	1%

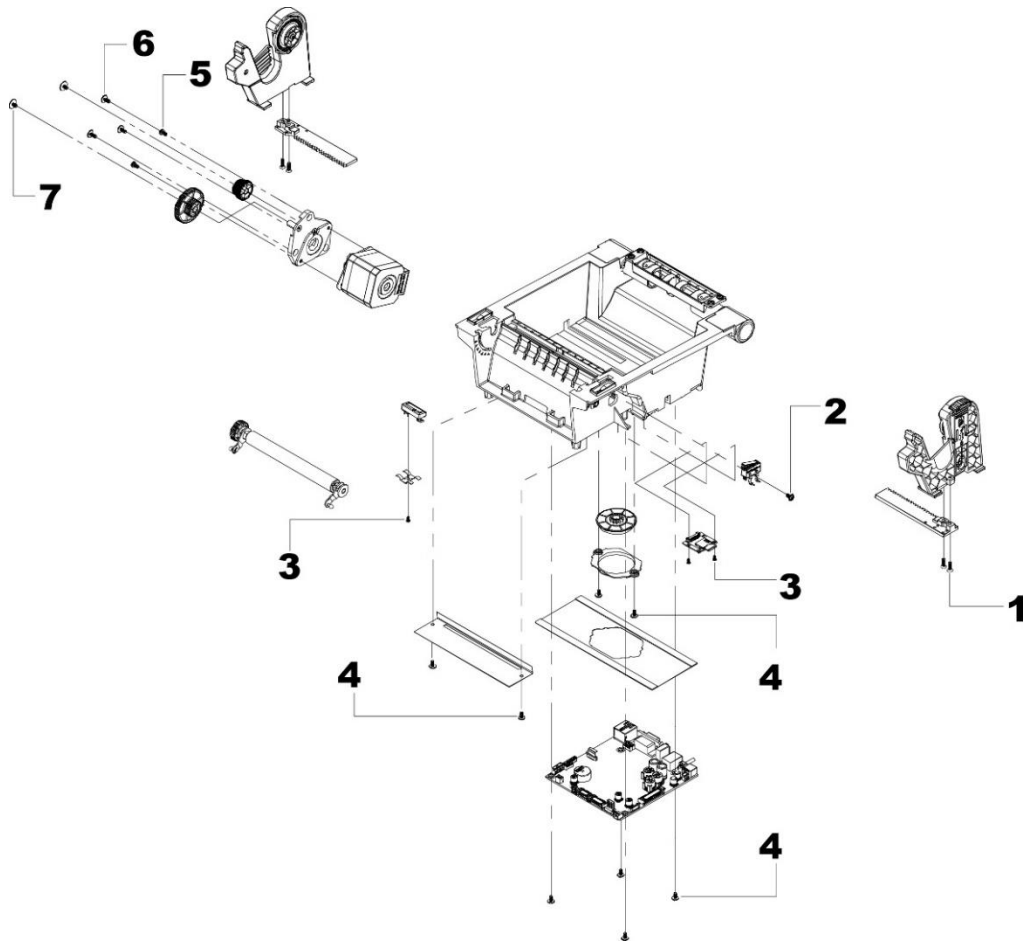
*Available only in Hardware Field Kit (P/N: SP-DH240-0017)

3 Lower Inner Cover Assembly



No.	Part No.	Description	Suggested Attached Rate
1	SP-DH240-0007	MEDIA HOLDER ASSY (1SET/BOX)	3%
2	SP-DH240-0008	PRINTHEAD OPEN SENSOR ASSY, DH240/TH220/DH220 (1SET/BAG)	1%
3	SP-TH240-0021	MICRO SD CARD SOCKET ASSY, TH240/DH240/TH220/DH220 (1SET/BAG)	1%
4	SP-DH240-0009	MAIN BOARD ASSY (1SET/BOX)	3%
5	SP-DH240-0010	STEPPING MOTOR (1SET/BOX)	1%
6	SP-DH240-0011	GEAR SET (1SET/BOX)	1%
7	SP-TH240-0024	BLACK MARK SENSOR ASSY, TH240/DH240/TH220/DH220 (1SET/BAG)	1%
8	SP-TH240-0027	PLATEN ROLLER ASSY, TH240/DH240 (1SET/BAG)	3%

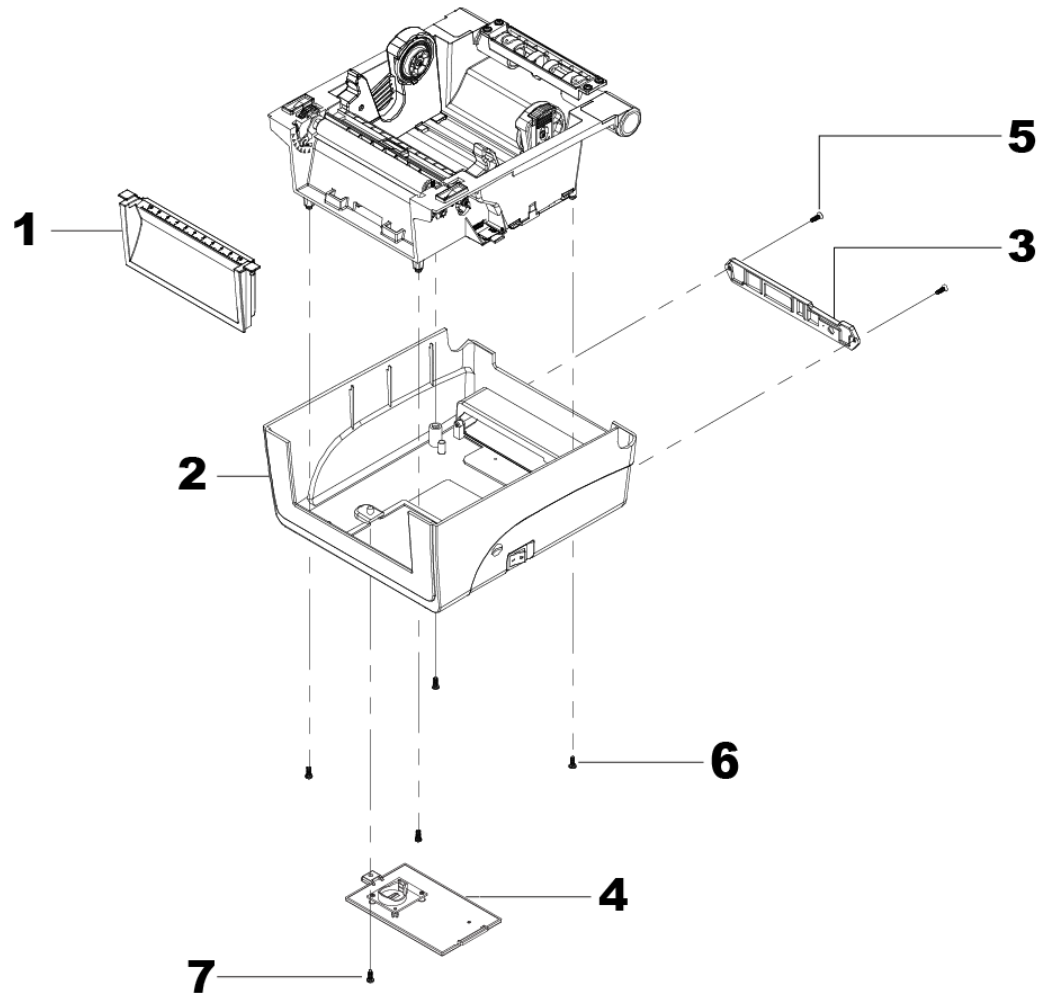
4 Screws for Lower Inner Cover Assembly



No.	Part No.	Description	Suggested Attached Rate
1*	37-1403012-22LF	SELF-TAPPING SCREW-TP3xL12	
2*	37-1403004-74LF	SELF-TAPPING WASHER SCREW-TP3xL4xψ7	
3*	37-1402004-34LF	SELF-TAPPING SCREW-TP2xL4	
4*	37-1403006-74LF	SELF-TAPPING WASHER SCREW-TP3xL6xψ7	
5*	37-1503006-84LF	SPRING WASHER SCREW-M3xL6	
6*	37-1403007-74LF	SELF-TAPPING WASHER SCREW-TP3xL7xψ8	
7*	37-1503005-74LF	MACHINE WASHER SCREW-M3xL5xψ10	

*Available only in Hardware Field Kit (P/N: SP-DH240-0017)

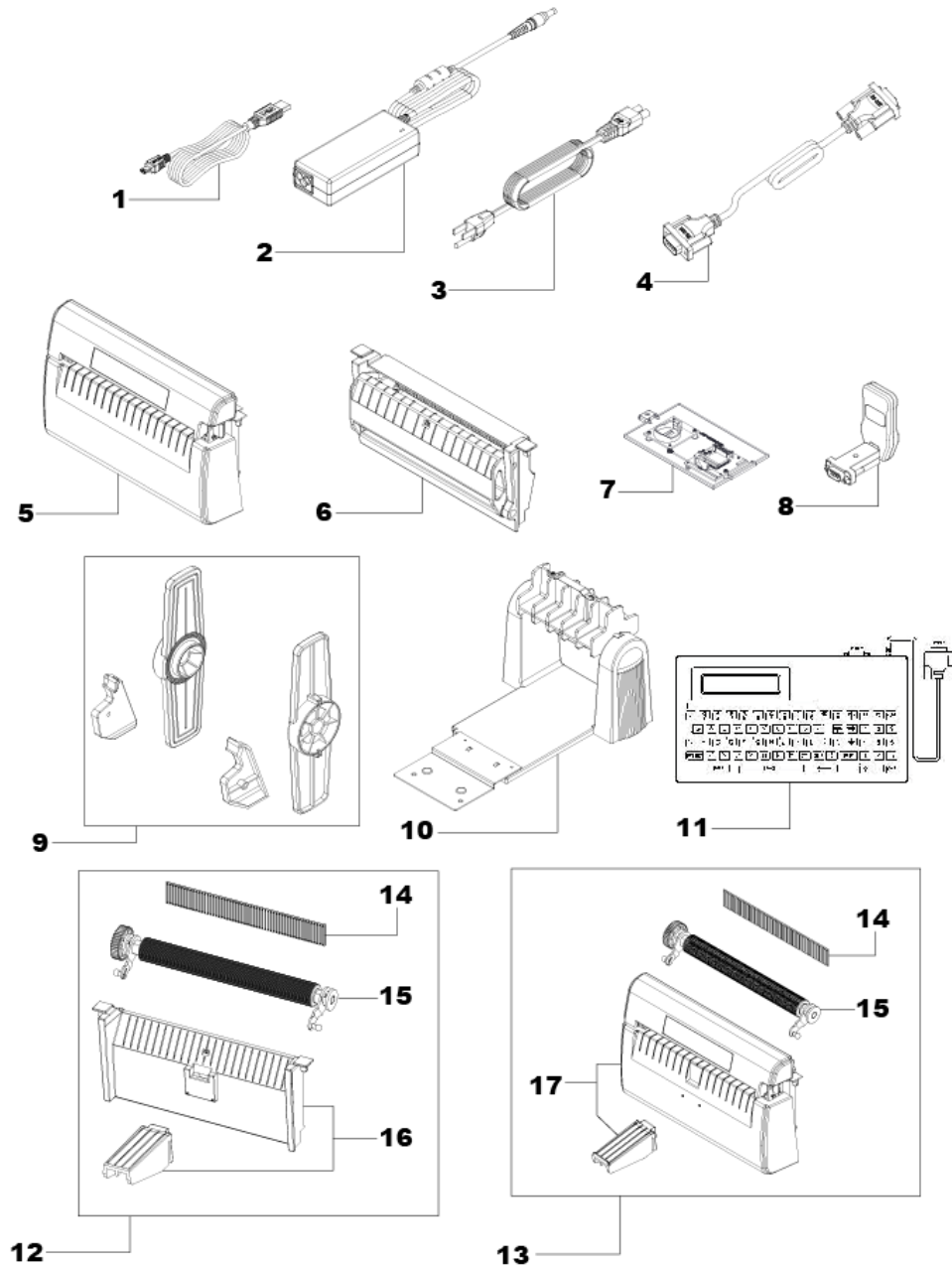
5 Bottom Cover Assembly



No.	Part No.	Description	Suggested Attached Rate
1	SP-TH240-0031	LOWER FRONT COVER, TH240/DH240 (1PC/BAG)	1%
	SP-TH240HC-0004	LOWER FRONT COVER, TH240HC/DH240HC (1PC/BAG)	1%
2	SP-DH240-0012	LOWER COVER ASSY (1SET/BAG)	1%
	SP-DH240HC-0003	LOWER COVER ASSY, DH240HC (1SET/BAG)	1%
3	SP-TH240-0033	INTERFACE COVER, TH240/DH240 (1PC/BAG)	1%
	SP-TH240HC-0006	INTERFACE COVER, TH240HC/DH240HC (1PC/BAG)	1%
4	SP-TH240-0034	RTC MODULE, WITHOUT BATTERY, TH240/DH240 (1PC/BOX)	1%
	SP-TH240HC-0007	RTC MODULE, WITHOUT BATTERY, TH240HC/DH240HC (1PC/BOX)	1%
5*	37-1403010-22LF	SELF-TAPPING SCREW-TP3xL10	
6*	37-1403010-34LF	SELF-TAPPING SCREW-TP3xL10	
7*	37-1403006-34LF	SELF-TAPPING SCREW-TP3xI6	

*Available only in Hardware Field Kit (P/N: SP-DH240-0017)

6 Options and Accessories



No.	Part No.	Description	Suggested Attached Rate
1	SP-COM-0002	USB CABLE, 1.5M (1PC/BAG)	1%
2	SP-COM-0021	POWER SUPPLY, IEC C6, 90W (1PC/BAG)	3%
	SP-COM-0022	IEC 60601-1 POWER SUPPLY, IEC C6, 90W (1PC/BAG)	3%
3	SP-COM-1002	POWER CORD, IEC C5, US (1PC/BAG)	1%
	SP-COM-2002	POWER CORD, IEC C5, EU 90D (1PC/BAG)	1%
	SP-COM-3002	POWER CORD, IEC C5, UK (1PC/BAG)	1%
	SP-COM-4002	POWER CORD, IEC C5, AU (1PC/BAG)	1%
	SP-COM-5002	POWER CORD, IEC C5, JP (1PC/BAG)	1%
	SP-COM-A002	POWER CORD, IEC C5, CN (1PC/BAG)	1%
	SP-COM-B002	POWER CORD, IEC C5, KR (1PC/BAG)	1%
	SP-COM-C002	POWER CORD, IEC C5, IN (1PC/BAG)	1%
	SP-COM-D002	POWER CORD, IEC C5, TH (1PC/BAG)	1%
	SP-COM-H002	POWER CORD, IEC C5, TW (1PC/BAG)	1%
	SP-COM-M002	POWER CORD, IEC C5, MAL_UK (1PC/BAG)	1%
4	SP-COM-0017	RS-232 CABLE	1%
5	CUT-TH240-0001	CUTTER MODULE, FULL/PARTIAL CUT, TH240/DH240/TH240HC/DH240HC (1SET/BOX)	1%
N/S	SP-TH240-0035	CUTTER BOARD, TH240/DH240/TH220/DH220 (1PC/BAG)	1%
6	PEL-TH240-0001	PEEL-OFF MODULE, TH240/DH240/TH240HC/DH240HC (1SET/BOX)	1%

No.	Part No.	Description	Suggested Attached Rate
7	WF-TH240-1001	WI-FI+BT COMBO MODULE KIT, WITHOUT BATTERY, TH240/DH240, US (1SET/BOX)	1%
	WF-TH240-2001	WI-FI+BT COMBO MODULE KIT, WITHOUT BATTERY, TH240/DH240, EU (EMEA) (1SET/BOX)	1%
	WF-TH240-4001	WI-FI+BT COMBO MODULE KIT, WITHOUT BATTERY, TH240/DH240, AU (1SET/BOX)	1%
	WF-TH240-A001	WI-FI+BT COMBO MODULE KIT, WITHOUT BATTERY, TH240/DH240, CN (1SET/BOX)	1%
	BT-TH240-0001	BLUETOOTH MODULE KIT, WITHOUT BATTERY, TH240/DH240 (1SET/BOX)	1%
	WF-TH240HC-1001	WI-FI+BT COMBO MODULE KIT, WITHOUT BATTERY, TH240HC/DH240HC, US (1SET/BOX)	1%
	WF-TH240HC-2001	WI-FI+BT COMBO MODULE KIT, WITHOUT BATTERY, TH240HC/DH240HC, EU (EMEA) (1SET/BOX)	1%
	WF-TH240HC-4001	WI-FI+BT COMBO MODULE KIT, WITHOUT BATTERY, TH240HC/DH240HC, AU (1SET/BOX)	1%
	WF-TH240HC-A001	WI-FI+BT COMBO MODULE KIT, WITHOUT BATTERY, TH240HC/DH240HC, CN (1SET/BOX)	1%
	BT-TH240HC-0001	BLUETOOTH MODULE KIT, WITHOUT BATTERY, TH240HC/DH240HC (1SET/BOX)	1%
8	BT-COM-0001	EXTERNAL BLUETOOTH MODULE, FOR RS-232 PORT (1SET/BOX)	1%
9	OP-DH240-0001	10MM NARROW MEDIA ADAPTOR KIT, DH240/DH220 (1SET/BAG)	1%
10	OP-COM-0002	EXTERNAL ROLL MOUNT ASSEMBLY (WITH 3" CORE LABEL SPINDLE)	1%

No.	Part No.	Description	Suggested Attached Rate
11	OP-COM-0003	KP-200 PLUS, STAND-ALONE KEYBOARD UNIT	1%
12	TEAR-DH240-0001	TEAR MODULE, LINERLESS TEAR KIT, DH240/DH240HC (1SET/BOX)	1%
13	CUT-DH240-0001	CUTTER MODULE, LINERLESS CUTTER KIT, DH240/DH240HC (1SET/BOX)	1%
14	SP-DH240-0016	ANTI-STICKY RUBBER, FOR LINERLESS, DH240/DH240HC (5PCS/BAG)	1%
15	SP-DH240-0015	PLATEN ROLLER ASSY, FOR LINERLESS, DH240/DH240HC (1SET/BOX)	1%
16	SP-DH240-0014	LINERLESS TEAR MODULE, DH240/DH240HC (1SET/BOX)	1%
17	SP-DH240-0013	LINERLESS CUTTER MODULE, DH240/DH240HC (1SET/BOX)	1%
N/S	SP-COM-0001	CLEANING PEN (MOQ 12PCS/CTN)	1%
N/S	SP-DH240-0017	FIELD KIT, HARDWARE (1SET/BAG)	1%

N/S: Not shown in the image.

Revision History

Date	Description	Editor
2023/11/16	Official release.	Peter Yao



www.tscprinters.com