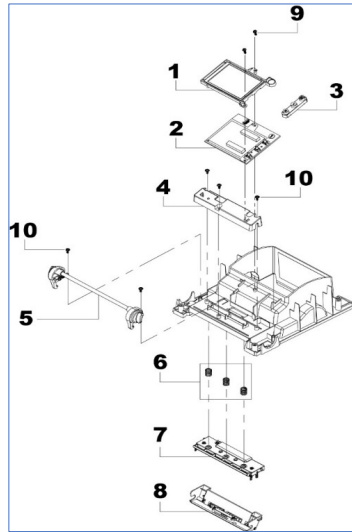


1. Top Cover Assembly

| No. | Sellable P/N | Description |
|-----|-----------------|------------------------------------|
| 1 | SP-DH240-0001 | TOP COVER ASSY (1SET/BAG) |
| | SP-DH240HC-0001 | TOP COVER ASSY, DH240HC (1SET/BAG) |
| 2* | -- | SELF-TAPPING SCREW-TP3xL10 |

*NOTE: Available only in Hardware Field Kit (P/N: SP-DH240-0017)

N/S: Not shown in the image.

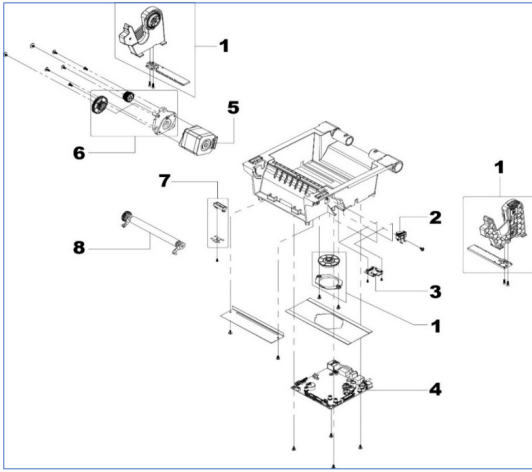


2. Top Inner Cover Assembly

| No. | Sellable P/N | Description |
|-----|-----------------|--|
| 1 | SP-TH240-0005 | LCD MODULE ASSY, TH240/DH240/TH220/DH220 (1SET/BOX) |
| 2 | SP-TH240-0006 | LCD PCBA ASSY, TH240/DH240/TH220/DH220 (1SET/BOX) |
| 3 | SP-TH240-0007 | FUNCTION KEY, TH240/DH240/TH220/DH220 (3PCS/BAG) |
| 4 | SP-DH240-0002 | HOOK COVER (1PC/BAG) |
| 5 | SP-DH240-0003 | OPEN LEVER ASSY (3SETS/BAG) |
| | SP-DH240HC-0002 | OPEN LEVER ASSY, DH240HC (3SETS/BAG) |
| 6 | SP-TH240-0013 | PRINthead SPRING, TH240/DH240 (5SETS/BAG) |
| 7 | PH-DH240-0001 | PRNTHD ASSY, DH240 (1SET/BOX) |
| | PH-DH240-0002 | PRNTHD ASSY, DH340 (1SET/BOX) |
| 8 | SP-DH240-0004 | PRINthead COVER WITH UPPER BLACK MARK SENSOR ASSY (1SET/BOX) |
| 9* | -- | SELF-TAPPING SCREW-TP3xL8 |
| 10* | -- | SELF-TAPPING WASHER SCREW-TP3xL6xψ7 |
| N/S | SP-DH240-0005 | PRINthead CABLE (1PC/BAG) |
| N/S | SP-DH240-0006 | LCD FFC CABLE (1PC/BAG) |
| N/S | SP-TH240-0018 | PANEL CABLE, TH240/DH240 (1PC/BAG) |

*NOTE: Available only in Hardware Field Kit (P/N: SP-DH240-0017)

N/S: Not shown in the image.

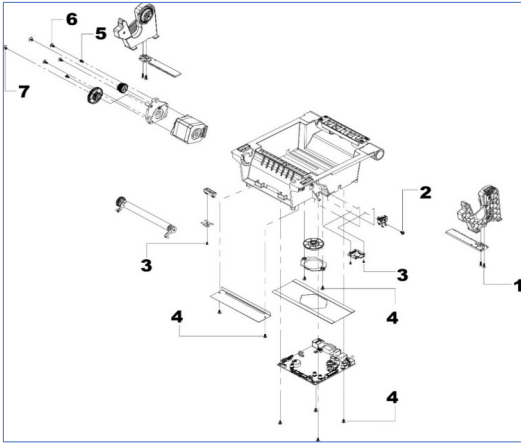


3. Lower Inner Cover Assembly

| No. | Sellable P/N | Description |
|-----|---------------|---|
| 1 | SP-DH240-0007 | MEDIA HOLDER ASSY (1SET/BOX) |
| 2 | SP-DH240-0008 | PRINthead OPEN SENSOR ASSY, DH240/TH220/DH220 (1SET/BAG) |
| 3 | SP-TH240-0021 | MICRO SD CARD SOCKET ASSY, TH240/DH240/TH220/DH220 (1SET/BAG) |
| 4 | SP-DH240-0009 | MAIN BOARD ASSY (1SET/BOX) |
| 5 | SP-DH240-0010 | STEPPING MOTOR (1SET/BOX) |
| 6 | SP-DH240-0011 | GEAR SET (1SET/BOX) |
| 7 | SP-TH240-0024 | BLACK MARK SENSOR ASSY, TH240/DH240/TH220/DH220 (1SET/BAG) |
| 8 | SP-TH240-0027 | PLATEN ROLLER ASSY, TH240/DH240 (1SET/BAG) |

*NOTE: Available only in Hardware Field Kit (P/N: SP-DH240-0017)

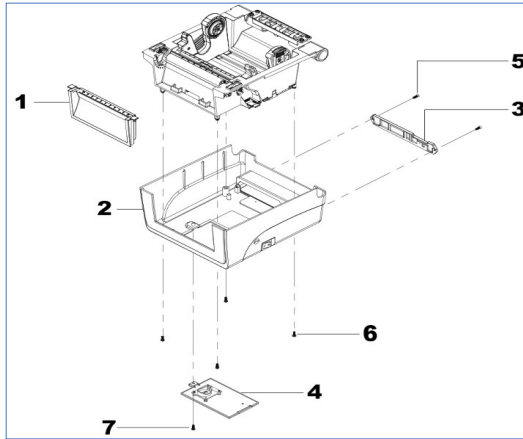
N/S: Not shown in the image.



4. Screws for Lower Inner Cover Assembly

| No. | Sellable P/N | Description |
|-----|--------------|-------------------------------------|
| 1* | -- | SELF-TAPPING SCREW-TP3xL12 |
| 2* | -- | SELF-TAPPING WASHER SCREW-TP3xL4xψ7 |
| 3* | -- | SELF-TAPPING SCREW-TP2xL4 |
| 4* | -- | SELF-TAPPING WASHER SCREW-TP3xL6xψ7 |
| 5* | -- | SPRING WASHER SCREW-M3xL6 |
| 6* | -- | SELF-TAPPING WASHER SCREW-TP3xL7xψ8 |
| 7* | -- | MACHINE WASHER SCREW-M3xL5xψ10 |

*NOTE: Available only in Hardware Field Kit (P/N: SP-DH240-0017)
 N/S: Not shown in the image.

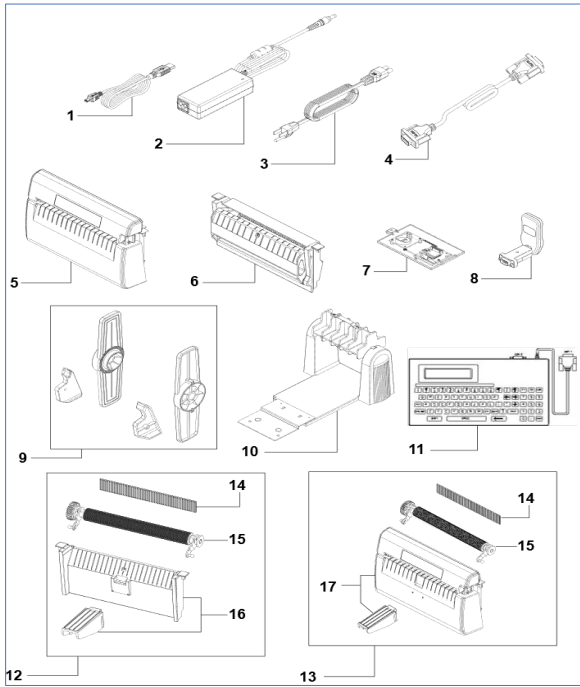


5. Bottom Cover Assembly

| No. | Sellable P/N | Description |
|-----|-----------------|--|
| 1 | SP-TH240-0031 | LOWER FRONT COVER, TH240/DH240 (1PC/BAG) |
| | SP-TH240HC-0004 | LOWER FRONT COVER, TH240HC/DH240HC (1PC/BAG) |
| 2 | SP-DH240-0012 | LOWER COVER ASSY (1SET/BAG) |
| | SP-DH240HC-0003 | LOWER COVER ASSY, DH240HC (1SET/BAG) |
| 3 | SP-TH240-0033 | INTERFACE COVER, TH240/DH240 (1PC/BAG) |
| | SP-TH240HC-0006 | INTERFACE COVER, TH240HC/DH240HC (1PC/BAG) |
| 4 | SP-TH240-0034 | RTC MODULE, WITHOUT BATTERY, TH240/DH240 (1PC/BOX) |
| | SP-TH240HC-0007 | RTC MODULE, WITHOUT BATTERY, TH240HC/DH240HC (1PC/BOX) |
| 5* | -- | SELF-TAPPING SCREW-TP3xL10 |
| 6* | -- | SELF-TAPPING SCREW-TP3xL10 |
| 7* | -- | SELF-TAPPING SCREW-TP3xI6 |

*NOTE: Available only in Hardware Field Kit (P/N: SP-DH240-0017)

N/S: Not shown in the image.



6. Options and Accessories

| No. | Sellable P/N | Description |
|-----|-----------------|---|
| 1 | SP-COM-0002 | USB CABLE, 1.5M (1PC/BAG) |
| 2 | SP-COM-0021 | POWER SUPPLY, IEC C6, 90W (1PC/BAG) |
| | SP-COM-0022 | IEC 60601-1 POWER SUPPLY, IEC C6, 90W (1PC/BAG) |
| 3 | SP-COM-2002 | POWER CORD, IEC C5, EU 90D (1PC/BAG) |
| | SP-COM-3002 | POWER CORD, IEC C5, UK (1PC/BAG) |
| | SP-COM-M002 | POWER CORD, IEC C5, MAL_UK (1PC/BAG) |
| 4 | SP-COM-0017 | RS-232 CABLE |
| 5 | CUT-TH240-0001 | CUTTER MODULE, FULL/PARTIAL CUT, TH240/DH240/TH240HC/DH240HC (1SET/BOX) |
| N/S | SP-TH240-0035 | CUTTER BOARD, TH240/DH240/TH220/DH220 (1PC/BAG) |
| 6 | PEL-TH240-0001 | PEEL-OFF MODULE, TH240/DH240/TH240HC/DH240HC (1SET/BOX) |
| 7 | WF-TH240-2001 | WI-FI+BT COMBO MODULE KIT, WITHOUT BATTERY, TH240/DH240, EU (EMEA) (1SET/BOX) |
| | BT-TH240-0001 | BLUETOOTH MODULE KIT, WITHOUT BATTERY, TH240/DH240 (1SET/BOX) |
| | WF-TH240HC-2001 | WI-FI+BT COMBO MODULE KIT, WITHOUT BATTERY, TH240HC/DH240HC, EU (EMEA) (1SET/BOX) |
| 8 | BT-TH240HC-0001 | BLUETOOTH MODULE KIT, WITHOUT BATTERY, TH240HC/DH240HC (1SET/BOX) |
| | BT-COM-0001 | EXTERNAL BLUETOOTH MODULE, FOR RS-232 PORT (1SET/BOX) |
| 9 | OP-DH240-0001 | 10MM NARROW MEDIA ADAPTOR KIT, DH240/DH220 (1SET/BAG) |
| 10 | OP-COM-0002 | EXTERNAL ROLL MOUNT ASSY WITH 3-INCH CORE LABEL SPINDLE (1SET/BOX) |
| 11 | OP-COM-0003 | KP-200 PLUS, STAND-ALONE KEYBOARD UNIT |
| 12 | TEAR-DH240-0001 | TEAR MODULE, LINERLESS TEAR KIT, DH240/DH240HC (1SET/BOX) |
| 13 | CUT-DH240-0001 | CUTTER MODULE, LINERLESS CUTTER KIT, DH240/DH240HC (1SET/BOX) |
| 14 | SP-DH240-0016 | ANTI-STICKY RUBBER, FOR LINERLESS, DH240/DH240HC (5PCS/BAG) |
| 15 | SP-DH240-0015 | PLATEN ROLLER ASSY, FOR LINERLESS, DH240/DH240HC (1SET/BOX) |
| 16 | SP-DH240-0014 | LINERLESS TEAR MODULE, DH240/DH240HC (1SET/BOX) |
| 17 | SP-DH240-0013 | LINERLESS CUTTER MODULE, DH240/DH240HC (1SET/BOX) |
| N/S | SP-COM-0001 | CLEANING PEN (MOQ 12PCS/CTN) |
| N/S | SP-DH240-0017 | FIELD KIT, HARDWARE (1SET/BAG) |
| N/S | SP-COM-0025 | LINERLESS PRINTER CLEANING KIT(1SET/BOX) |

*NOTE: Available only in Hardware Field Kit (P/N: SP-DH240-0017)

N/S: Not shown in the image.