

Desktop Barcode Printer

DH220 Series

Direct Thermal

Series Models

DH220 / DH320

DH220T / DH320T

DH220THC / DH320THC



Parts List

Copyright

©2023 TSC Auto ID Technology Co., Ltd.

The copyright in this manual, the software and firmware in the printer described are owned by TSC Auto ID Technology Co., Ltd. All rights reserved.

CG Triumvirate is a trademark of Agfa Corporation. CG Triumvirate Bold Condensed font is under license from the Monotype Corporation. Windows is a registered trademark of Microsoft Corporation.

All other trademarks are the property of their respective owners. Information in this document is subject to change without notice and does not represent a commitment on the part of TSC Auto ID Technology Co. No part of this manual may be reproduced or transmitted in any form or by any means, for any purpose other than the purchaser's personal use, without the expressed written permission of TSC Auto ID Technology Co.

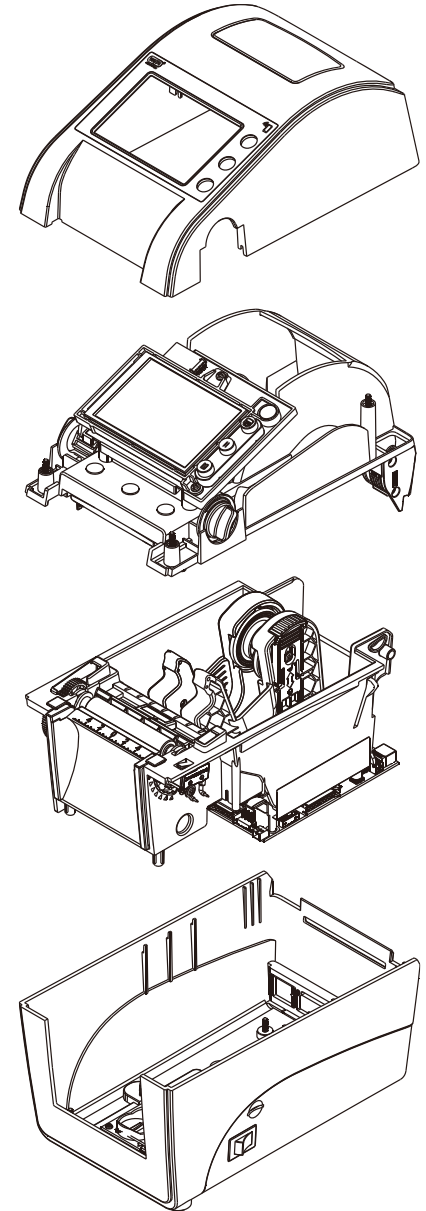


Contents

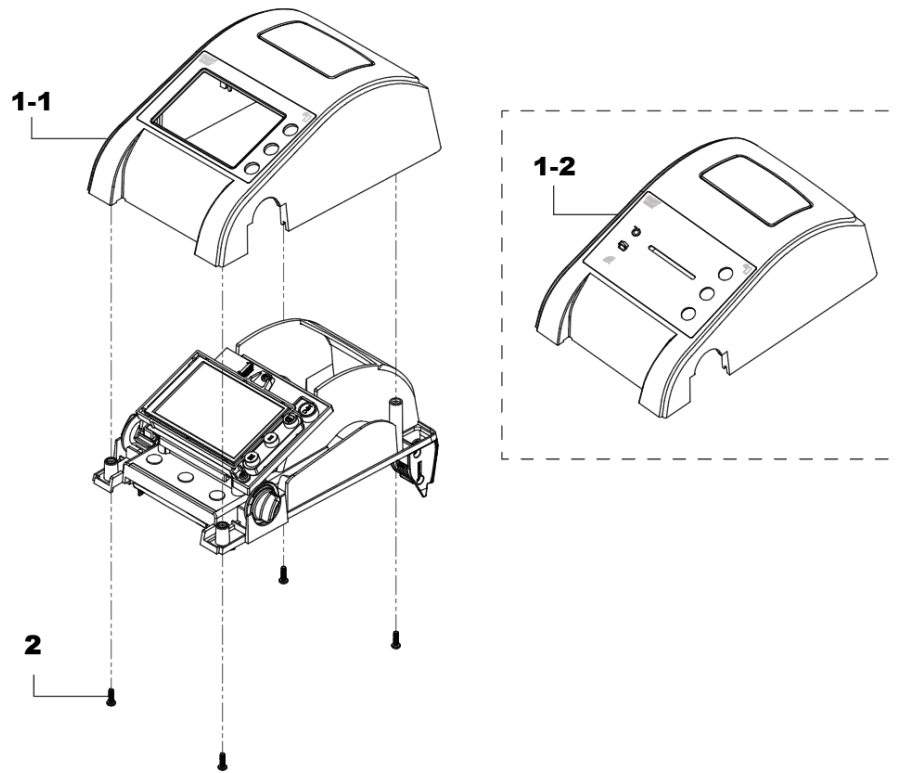
Illustrated Parts Breakdown	2
1. Top Cover Assemblies	3
2. Top Inner Cover Assemblies	4
3. Lower Inner Cover Assemblies.....	5
4. Screws for Lower Inner Cover Assembly.....	6
5. Lower Cover Assemblies	7
6. Options and Accessories	8
Revision History	11

Illustrated Parts Breakdown

This document drawings of the electromechanical assemblies comprising the printer. The table following each illustration lists the illustrated parts and their part numbers.



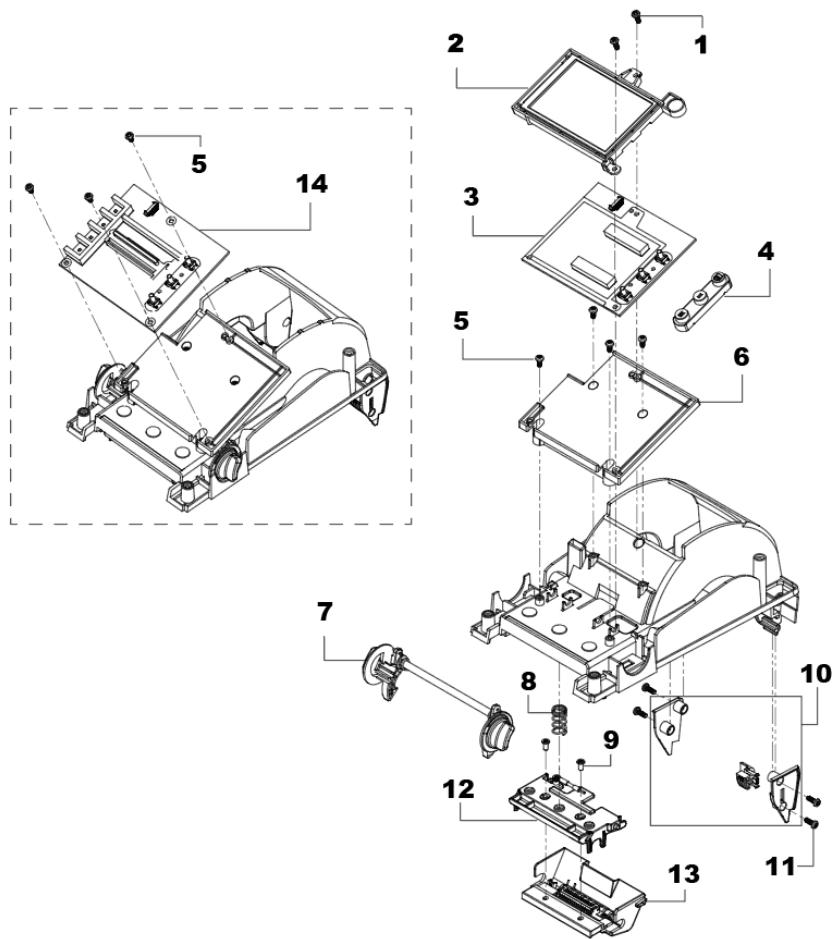
1. Top Cover Assemblies



NO.	PART NO.	DESCRIPTION	SUGGEST ATTACH RATE
1-1	SP-DH220-0001	TOP COVER ASSY, FOR LCD MODEL (1SET/BAG)	1%
	SP-DH220HC-0001	TOP COVER ASSY, FOR LCD MODEL, DH240HC (1SET/BAG)	1%
1-2	SP-DH220-0002	TOP COVER ASSY, FOR LED MODEL (1SET/BAG)	1%
2*	--	SELF-TAPPING SCREW, TP3xL10/ ROUND, NI	

* Available only in Hardware Field Kit (P/N: SP-DH220-0018)

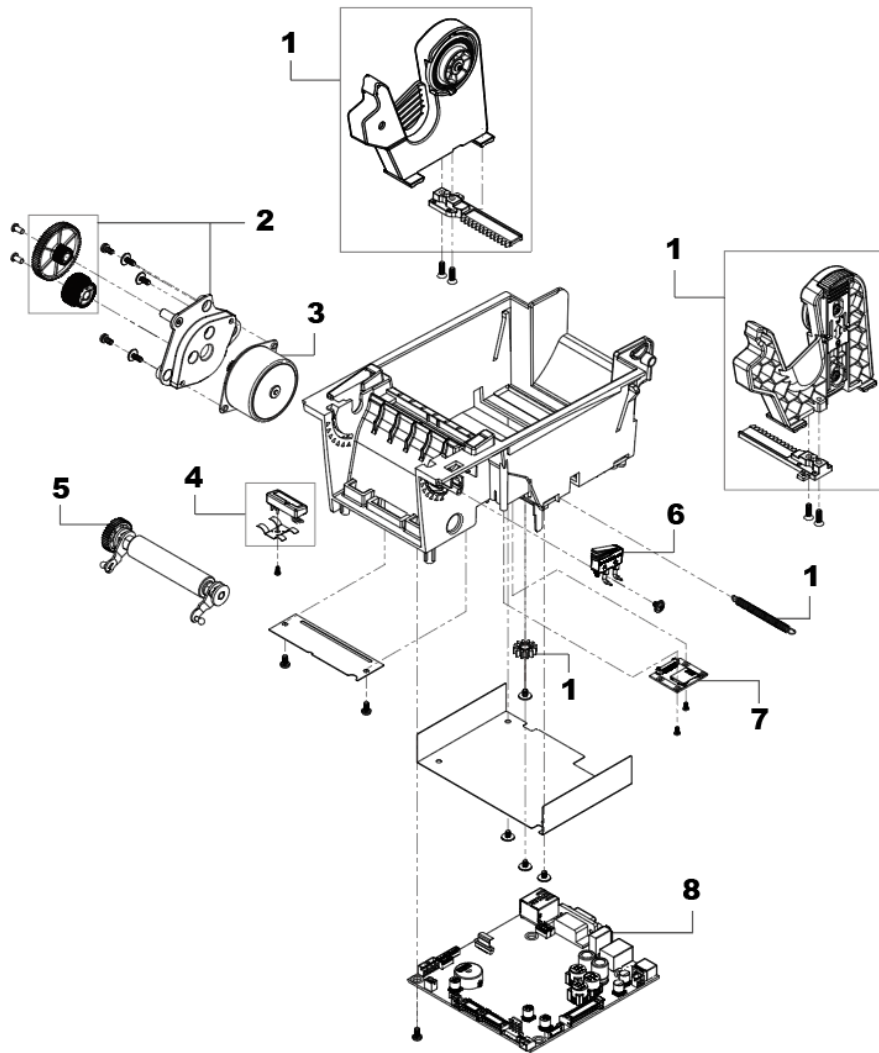
2. Top Inner Cover Assemblies



NO.	PART NO.	DESCRIPTION	SUGGEST ATTACH RATE
1*	--	SELF-TAPPING SCREW, TP3xL8/ ROUND, NI	
2	SP-TH240-0005	LCD MODULE ASSY, TH240/DH240/TH220/DH220 (1SET/BOX)	1%
3	SP-TH240-0006	LCD PCBA ASSY, TH240/DH240/TH220/DH220 (1SET/BOX)	1%
4	SP-TH240-0007	FUNCTION KEY, TH240/DH240/TH220/DH220 (3PCS/BAG)	1%
5*	--	SELF-TAPPING SCREW, TP3xL6/ ROUND, NI	
6	SP-DH220-0003	LCD HOLDER (3PCS/BAG)	1%
7	SP-DH220-0004	OPEN LEVER ASSY (3SETS/BAG)	1%
	SP-DH220HC-0002	OPEN LEVER ASSY, DH220HC (3SETS/BAG)	1%
8	SP-TH220-0007	PRINTHEAD SPRING, TH220/DH220 (5PCS/BAG)	1%
9*	--	MACHINE SCREW-M3xL6	
10	SP-DH220-0005	TOP COVER HANDLE (1 SET/BAG)	1%
	SP-DH220HC-0003	TOP COVER HANDLE, DH220HC (1 SET/BAG)	1%
11*	--	SELF-TAPPING SCREW, TP3xL8/ ROUND, NI	
12	PH-DH220-0001	PRNTHD ASSY, DH220 (1SET/BOX)	3%
	PH-DH220-0002	PRNTHD ASSY, DH320 (1SET/BOX)	3%
13	SP-DH220-0006	PRINTHEAD COVER WITH UPPER BLACK MARK SENSOR (1PC/BAG)	1%
14	SP-TH240-0015	LED PCBA ASSY, TH240/DH220 (1SET/BOX)	1%
N/S	SP-DH220-0007	PRINTHEAD CABLE (1PC/BAG)	1%
N/S	SP-TH220-0011	LCD FFC CABLE, TH220/DH220 (1PC/BAG)	1%
N/S	SP-TH220-0012	PANEL CABLE, TH220/DH220 (1PC/BAG)	1%

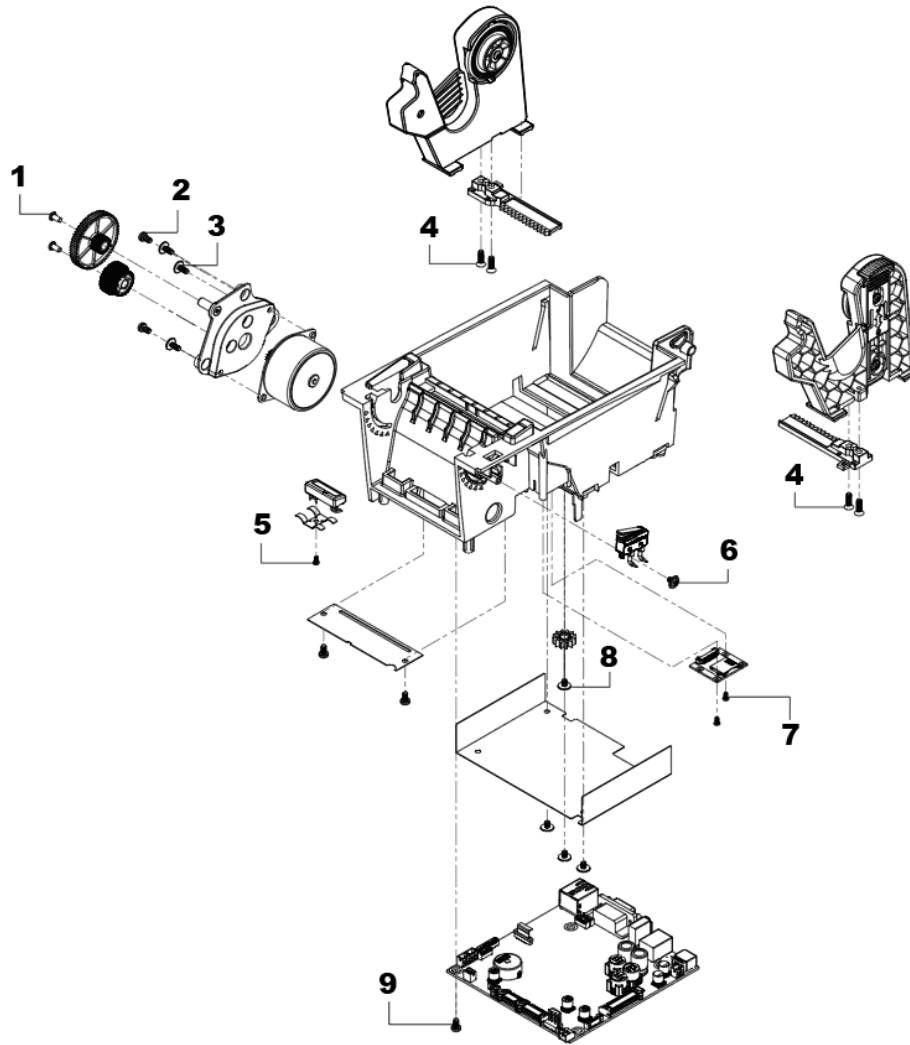
* Available only in Hardware Field Kit (P/N: SP-DH220-0018)
 N/S: Not shown in the image.

3. Lower Inner Cover Assemblies



NO.	PART NO.	DESCRIPTION	SUGGEST ATTACH RATE
1	SP-DH220-0008	MEDIA HOLDER ASSY (1SET/BAG)	3%
2	SP-DH220-0009	GEAR ASSY (1SET/BAG)	1%
3	SP-TH220-0017	STEPPING MOTOR, TH220/DH220 (1SET/BOX)	1%
4	SP-TH240-0024	BLACK MARK SENSOR ASSY, TH240/DH240/TH220/DH220 (1SET/BAG)	1%
5	SP-TH220-0018	PLATEN ROLLER ASSY, TH220/DH220 (1SET/BAG)	3%
6	SP-DH240-0008	PRINTHEAD OPEN SENSOR ASSY, DH240/TH220/DH220 (1SET/BAG)	1%
7	SP-TH240-0021	MICRO SD CARD SOCKET ASSY, TH240/DH240/TH220/DH220 (1SET/BAG)	1%
8	SP-DH220-0010	MAIN BOARD ASSY (1SET/BOX)	3%

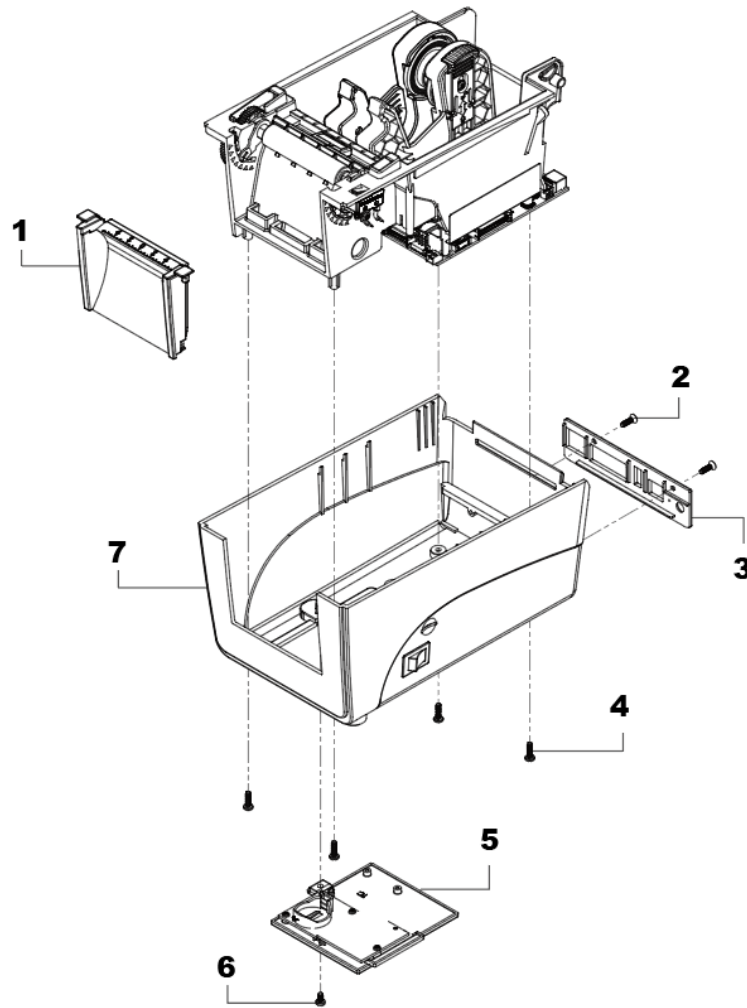
4. Screws for Lower Inner Cover Assembly



NO.	PART NO.	DESCRIPTION	SUGGEST ATTACH RATE
1*	--	MACHINE SCREW-M3xL6	
2*	--	SPRING WASHER SCREW-M3xL6	
3*	--	SELF-TAPPING WASHER SCREW,TP3x7/ROUND,NI	
4*	--	SELF-TAPPING SCREW-TP3xL12	
5*	--	SELF-TAPPING SCREW-TP2xL4	
6*	--	SELF-TAPPING WASHER SCREW-TP3xL4xψ7	
7*	--	SELF-TAPPING SCREW-TP2xL4	
8*	--	SELF-TAPPING WASHER SCREW-TP3xL4xψ7	
9*	--	SELF-TAPPING SCREW, TP3xL6/ ROUND, NI	

* Available only in Hardware Field Kit (P/N: SP-DH220-0018)

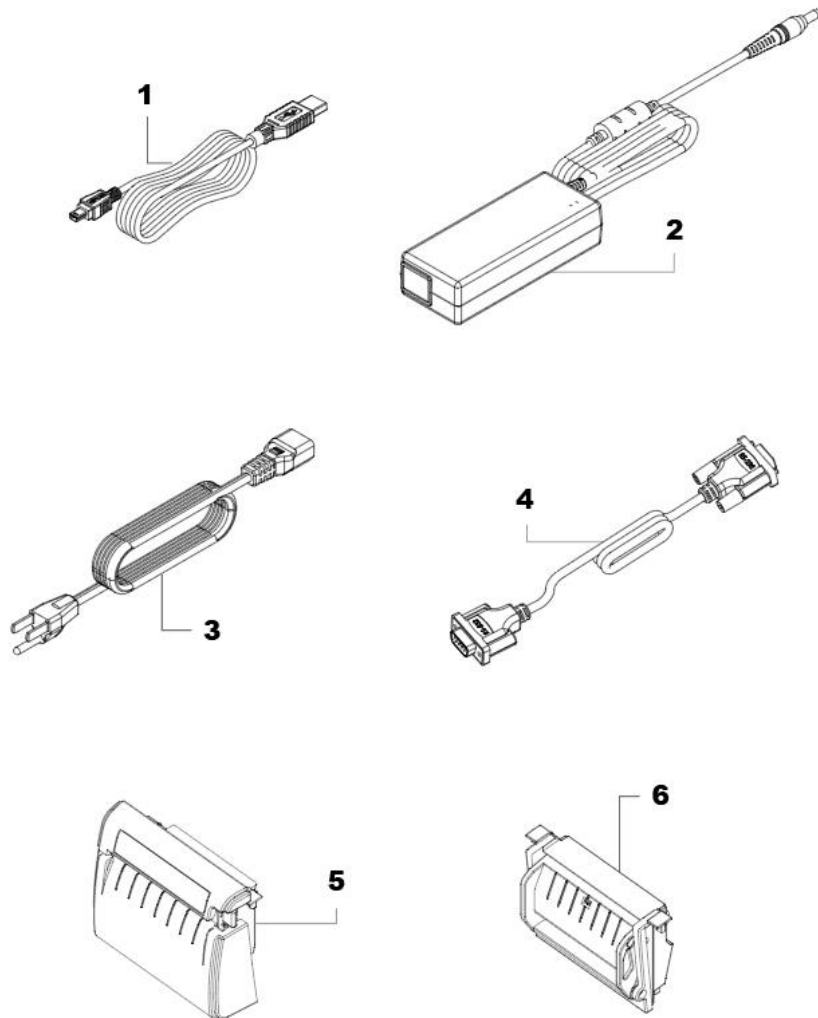
5. Lower Cover Assemblies



NO.	PART NO.	DESCRIPTION	SUGGEST ATTACH RATE
1	SP-DH220-0011	LOWER FRONT COVER, (1PC/BAG)	1%
	SP-DH220HC-0004	LOWER FRONT COVER, DH220HC (1PC/BAG)	1%
2*	--	TAPPING SCREW-TP3x6	
3	SP-DH220-0012	INTERFACE COVER (1PC/BAG)	1%
	SP-DH220HC-0005	INTERFACE COVER, DH220HC (1PC/BAG)	1%
4*	--	SELF-TAPPING SCREW, TP3xL10/ ROUND, NI	
5	SP-DH220-0013	RTC MODULE, WITHOUT BATTERY, (1PC/BOX)	1%
	SP-DH220HC-0006	RTC MODULE, WITHOUT BATTERY, DH220HC (1PC/BOX)	1%
6*	--	SELF-TAPPING SCREW, TP3xL6/ ROUND, NI	
7	SP-DH220-0014	LOWER COVER ASSY (1SET/BAG)	1%
	SP-DH220HC-0007	LOWER COVER ASSY, DH220HC (1SET/BAG)	1%

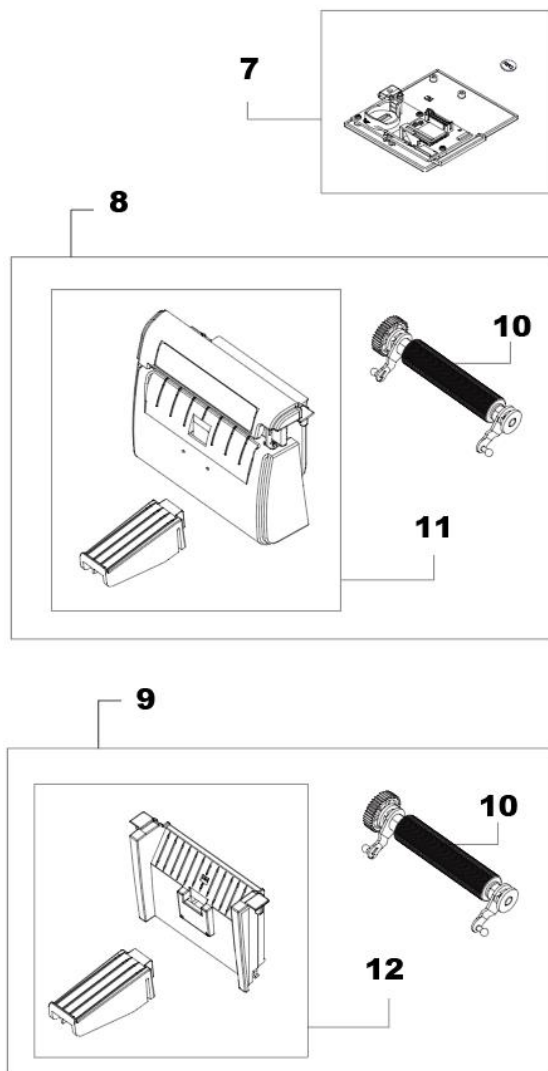
* Available only in Hardware Field Kit (P/N: SP-DH220-0018)

6. Options and Accessories

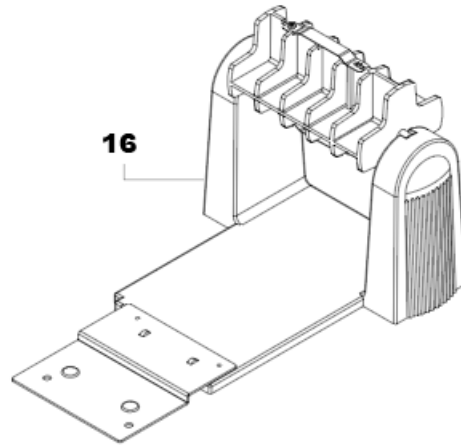
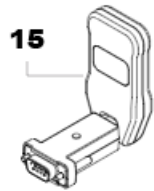
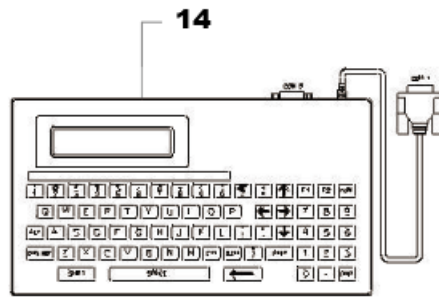
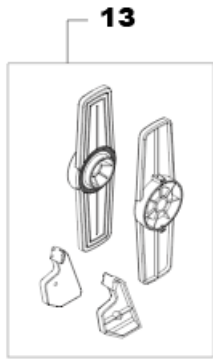


NO.	PART NO.	DESCRIPTION	SUGGEST ATTACH RATE
1	SP-COM-0002	USB CABLE, 1.5M (1PC/BAG)	1%
2	SP-COM-0023	POWER SUPPLY, IEC C14, 60W	3%
	SP-COM-0024	IEC60601-1 POWER SUPPLY, IEC C14, 60W	3%
3	SP-COM-1001	POWER CORD, IEC C13, US (1PC/BAG)	1%
	SP-COM-2001	POWER CORD, IEC C13, EU (90 DEGREE) (1PC/BAG)	1%
	SP-COM-3001	POWER CORD, IEC C13, UK (1PC/BAG)	1%
	SP-COM-4001	POWER CORD, IEC C13, AU (1PC/BAG)	1%
	SP-COM-5001	POWER CORD, IEC C13, JP (1PC/BAG)	1%
	SP-COM-A001	POWER CORD, IEC C13, CN (1PC/BAG)	1%
	SP-COM-B001	POWER CORD, IEC C13, KR (1PC/BAG)	1%
	SP-COM-C001	POWER CORD, IEC C13, IN (1PC/BAG)	1%
	SP-COM-D001	POWER CORD, IEC C13, TH (1PC/BAG)	1%
	SP-COM-H001	POWER CORD, IEC C13, TW (1PC/BAG)	1%
	SP-COM-M001	POWER CORD, IEC C13, MAL_UK (1PC/BAG)	1%
4	SP-COM-0017	RS-232 CABLE	1%
5	CUT-TH220-0001	CUTTER MODULE, FULL/PARTIAL CUT, TH220/DH220/TH220HC/DH220HC (1SET/BOX)	1%
N/S	SP-TH240-0035	CUTTER BOARD, TH240/DH240/TH220/DH220 (1PC/BAG)	1%
6	PEL-TH220-0001	PEEL-OFF MODULE, TH220/DH220/TH220HC/DH220HC (1SET/BOX)	1%

N/S: Not shown in the image.



NO.	PART NO.	DESCRIPTION	SUGGEST ATTACH RATE
7	WF-DH220-1001	WI-FI+BT COMBO MODULE KIT, WITHOUT BATTERY, US (1SET/BOX)	1%
	WF-DH220-2001	WI-FI+BT COMBO MODULE KIT, WITHOUT BATTERY, EU (EMEA) (1SET/BOX)	1%
	WF-DH220-4001	WI-FI+BT COMBO MODULE KIT, WITHOUT BATTERY, AU (1SET/BOX)	1%
	WF-DH220-A001	WI-FI+BT COMBO MODULE KIT, WITHOUT BATTERY, CN (1SET/BOX)	1%
	BT-DH220-0001	BLUETOOTH MODULE KIT, WITHOUT BATTERY (1SET/BOX)	1%
	WF-DH220HC-1001	WI-FI+BT COMBO MODULE KIT, WITHOUT BATTERY, DH220HC, US (1SET/BOX)	1%
	WF-DH220HC-2001	WI-FI+BT COMBO MODULE KIT, WITHOUT BATTERY, DH220HC, EU (EMEA) (1SET/BOX)	1%
	WF-DH220HC-4001	WI-FI+BT COMBO MODULE KIT, WITHOUT BATTERY, DH220HC, AU (1SET/BOX)	1%
	WF-DH220HC-A001	WI-FI+BT COMBO MODULE KIT, WITHOUT BATTERY, DH220HC, CN (1SET/BOX)	1%
	BT-DH220HC-0001	BLUETOOTH MODULE KIT, WITHOUT BATTERY, DH220HC (1SET/BOX)	1%
8	CUT-DH220-0001	CUTTER MODULE, LINERLESS CUTTER KIT, DH220/DH220HC (1SET/BOX)	1%
9	TEAR-DH220-0001	TEAR MODULE, LINERLESS TEAR KIT, DH220/DH220HC (1SET/BOX)	1%
10	SP-DH220-0015	PLATEN ROLLER ASSY, FOR LINERLESS (1SET/BOX)	1%
11	SP-DH220-0016	LINERLESS CUTTER MODULE (1SET/BOX)	1%
12	SP-DH220-0017	LINERLESS TEAR MODULE (1SET/BOX)	1%



NO.	PART NO.	DESCRIPTION	SUGGEST ATTACH RATE
13	OP-DH240-0001	10MM NARROW MEDIA ADAPTOR KIT, DH240/DH220 (1SET/BAG)	1%
14	OP-COM-0003	KP-200 PLUS, STAND-ALONE KEYBOARD UNIT	1%
15	BT-COM-0001	EXTERNAL BLUETOOTH MODULE, FOR RS-232 PORT (1SET/BOX)	1%
16	OP-COM-0002	EXTERNAL ROLL MOUNT ASSEMBLY (WITH 3" CORE LABEL SPINDLE)	1%
N/S	SP-COM-0001	CLEANING PEN (MOQ 12PCS/CTN)	1%
N/S	SP-DH220-0018	FIELD KIT, HARDWARE (1SET/BAG)	1%
N/S	SP-COM-0025	LINERLESS PRINTER CLEANING KIT(1SET/BOX)	

N/S: Not shown in the image.

Revision History

Date	Content	Editor
2023/11/1	First release	Camille
2023/11/30	Add LINERLESS PRINTER CLEANING KIT P/N	Camille



www.tscprinters.com