

Alpha-4L

DIRECT THERMAL PORTABLE PRINTER

Parts List

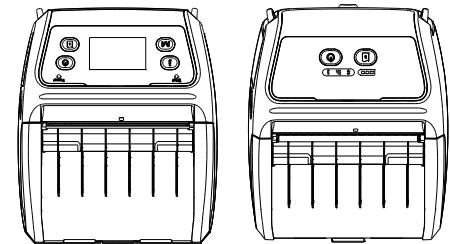
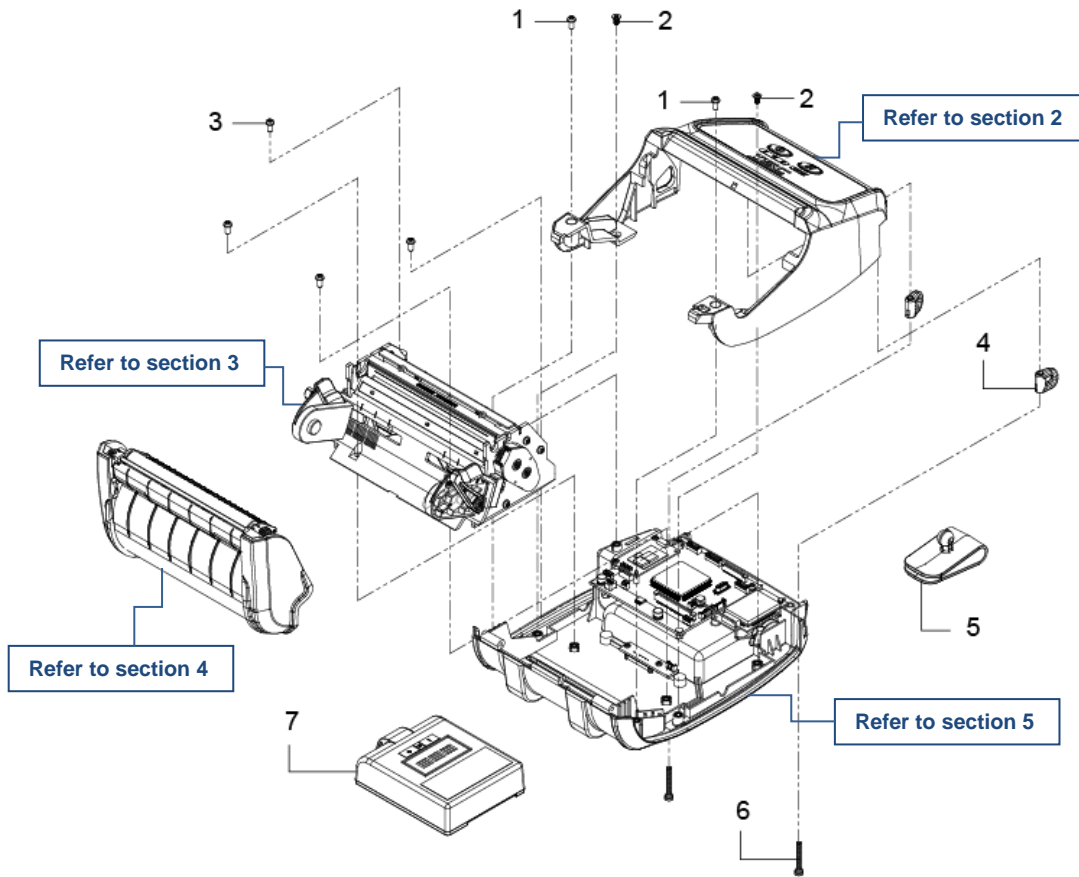


TABLE OF CONTENT

Part List	3
1 Main Printer Assemblies	3
2 Top Cover Assemblies.....	4
2.1 For Standard Panel.....	4
2.2 For LCD Panel (Option).....	5
3 Internal Mechanism Assemblies.....	6
4 Media Cover Assemblies.....	7
5 Lower Cover Assemblies	8
6 Accessories.....	10
Update History	12

Part List

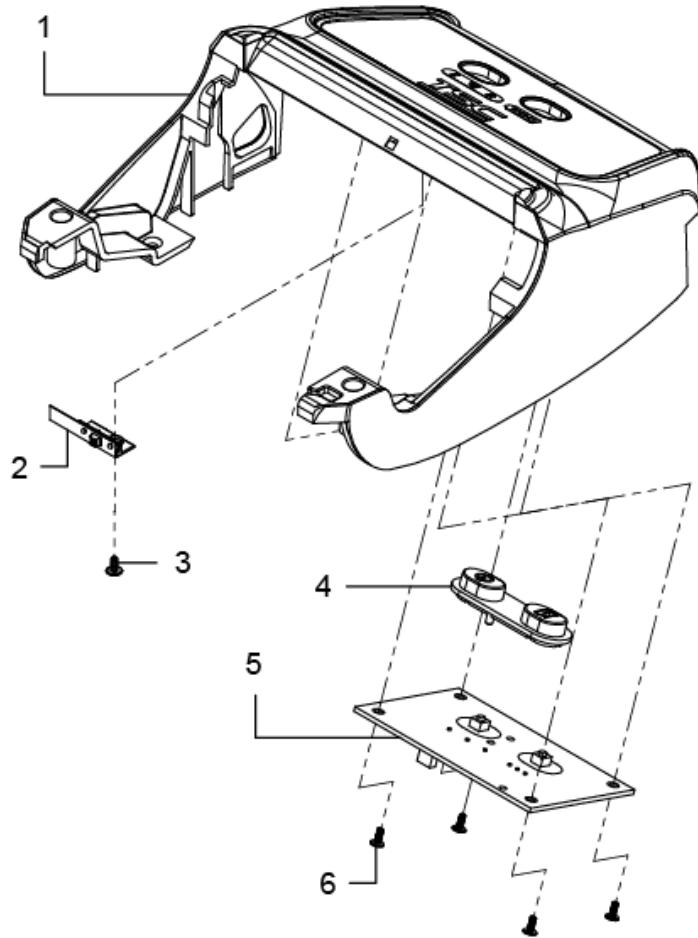
1 Main Printer Assemblies



No.	Part No.	Description	Remark	Spare parts
1	37-1503008-34LF	Screw, M3*8, MOQ 50 pcs	2 pcs	
2	37-1503006-24LF	Screw, M3*6, MOQ 50 pcs	2 pcs	
3	37-1503006-34LF	Screw, M3*6, MOQ 50 pcs	2 pcs	
4	30-0520027-00LF	Loop	2 pcs	
5	30-0520028-00LF	Belt clip	1 pc	
6	37-1503022-E2LF	Screw, M3*L22, MOQ 50 pcs	2 pcs	
7	98-0520038-00LF	Battery	1 pc	1%

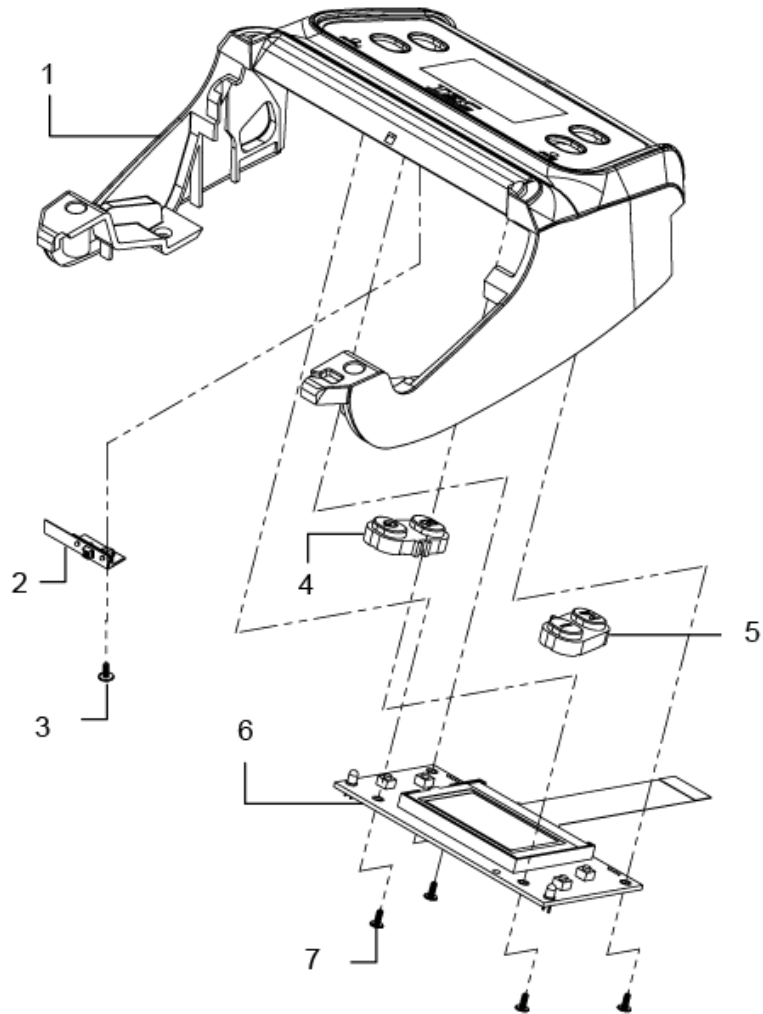
2 Top Cover Assemblies



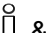

2.1 For Standard Panel



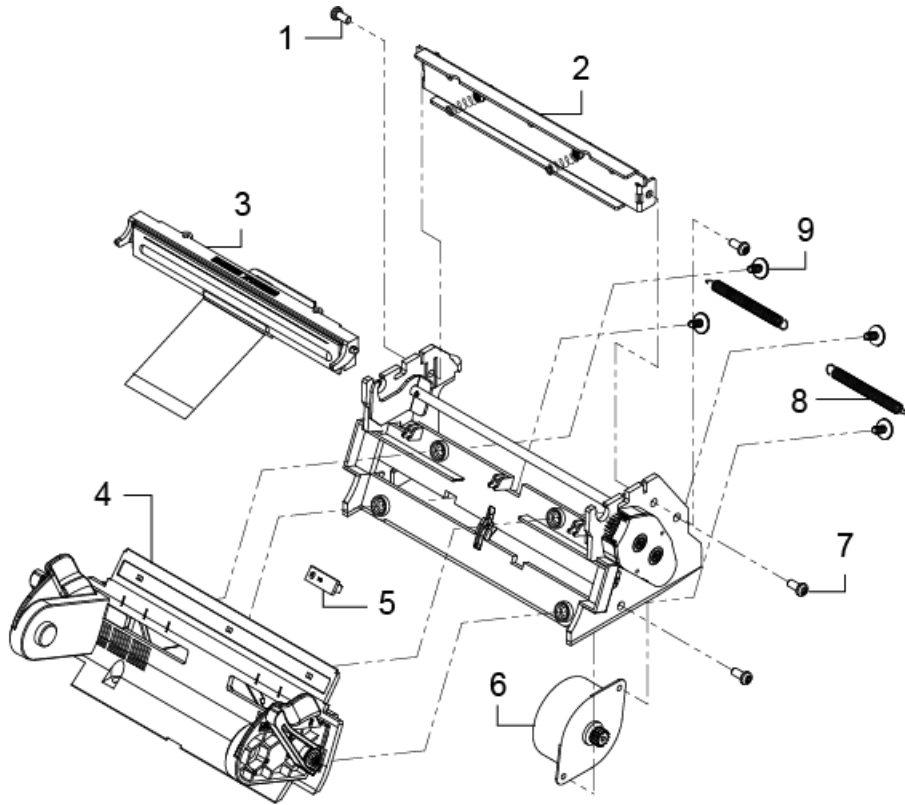
No.	Part No.	Description	Remark	Spare parts
1	98-0520019-00LF	Top cover assembly	1 set	1%
	98-0520020-00LF	Top cover assembly (for linerless model)		
2	98-0520018-00LF	Peel-off sensor assembly	1 set	1%
3	37-1402005-72LF	Screw, TP2*5 , MOQ 50 pcs	1 pc	
4	36-0520003-00LF	Keys button	1 pc	
5	98-0520046-00LF	LED & Keys panel board	1 set	
6	37-1502004-G9LF	Screw, M2*4, MOQ 50 pcs	4 pcs	

2.2 For LCD Panel (Option)



No.	Part No.	Description	Remark	Spare parts
1	98-0520021-00LF	Top cover assembly/ LCD	1 set	1%
	98-0520023-00LF	Top cover assembly/ LCD (for linerless model)		
2	98-0520018-00LF	Peel-off sensor assembly	1 set	1%
3	37-1402005-72LF	Screw, TP2*5 , MOQ 50 pcs	1 pc	
4	36-0520007-00LF	Keys button ( & )	1 pc	
5	36-0520006-00LF	Keys button ( & )	1 pc	
6	98-0520050-00LF	LCD & Keys panel board	1 set	1%
7	37-1502004-G9LF	Screw, M2*4, MOQ 50 pcs	4 pcs	

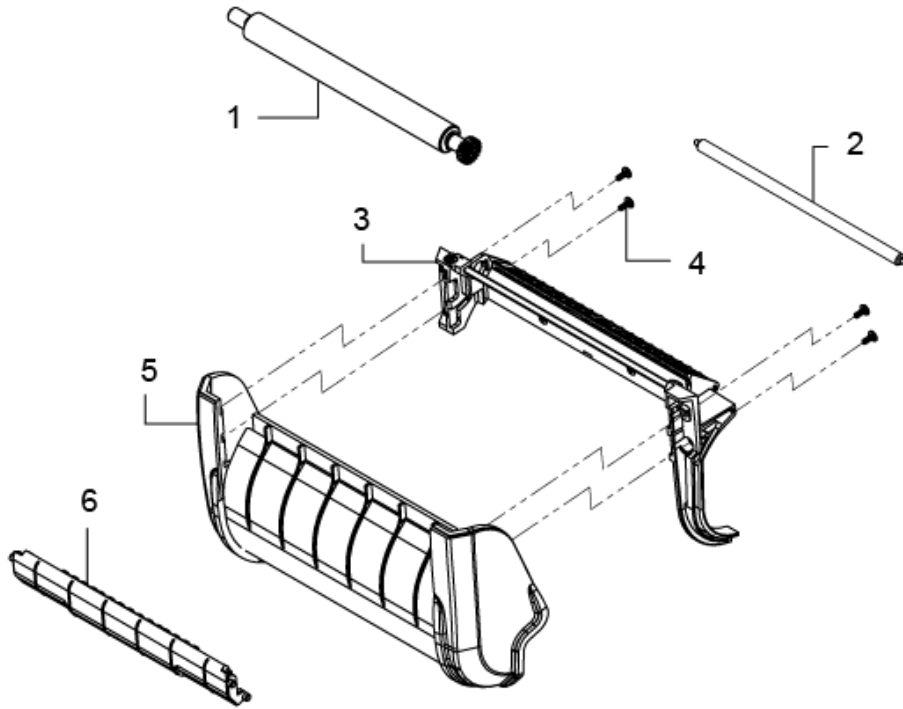
3 Internal Mechanism Assemblies



No.	Part No.	Description	Remark	Spare parts
1	37-1503006-34LF	Screw, M3*6, MOQ 50 pcs	2 pcs	
2	98-0520010-00LF	Print head spring fixture	1 set	
3	98-0520004-00LF	Print head assembly	1 set	3%
4	98-0520062-00LF	Media holder assembly (including item 8 & item 9)	1 set	
5	98-0520044-00LF	Gap transmissive sensor	1 set	1%
6	65-0520001-00LF	Stepping motor assembly	1 set	1%
7	37-1503006-39LF	Screw, M3*6, MOQ 50 pcs	2 pcs	
8	32-0520007-00LF	Spring	2 pcs	
9	37-1403008-74LF	Screw, TP3*8, MOQ 50 pcs	4 pcs	
N/S	98-0520043-00LF	Head open sensor assembly	1 set	

N/S: Not shown

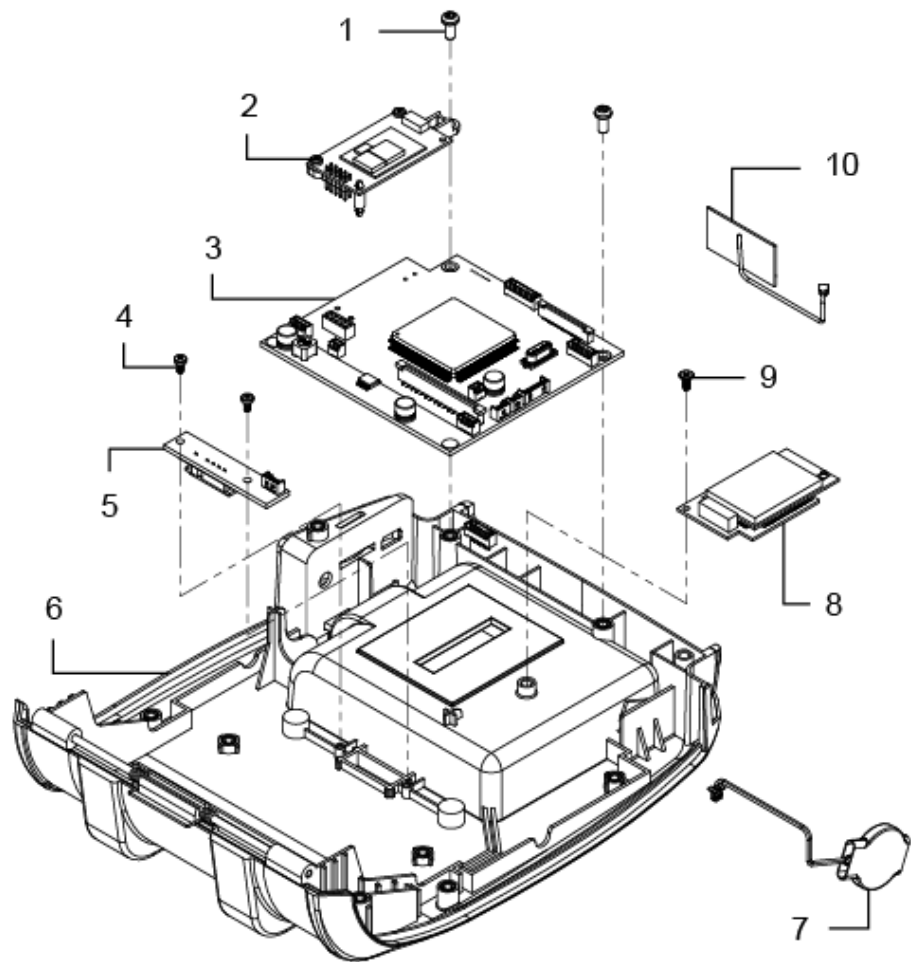
4 Media Cover Assemblies



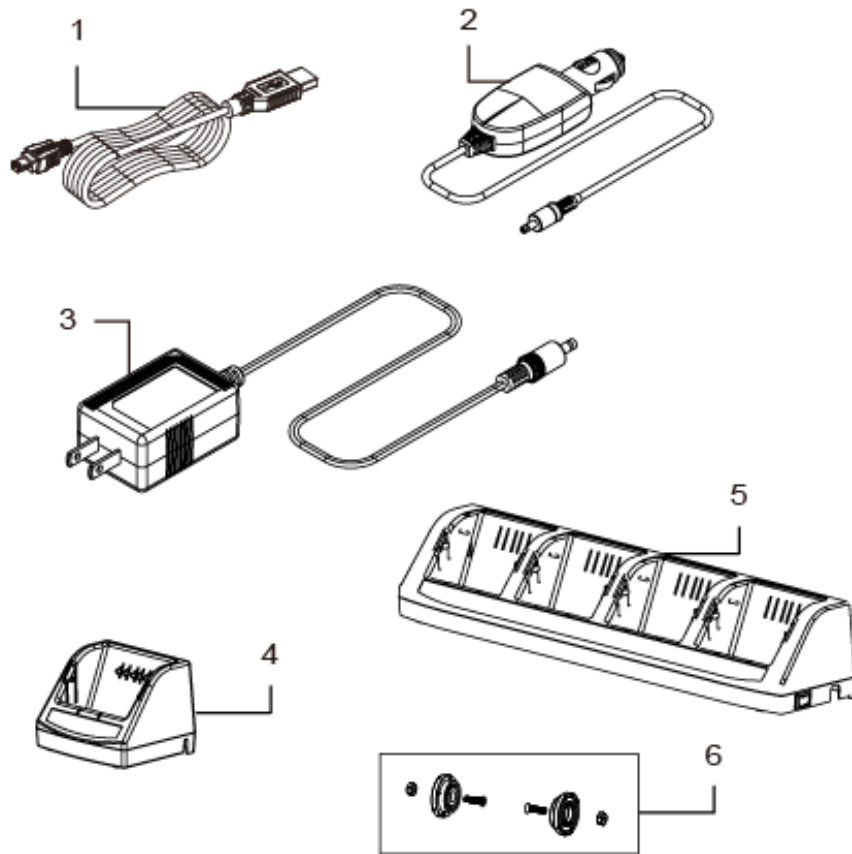
No.	Part No.	Description	Remark	Spare parts
1	98-0520009-00LF	Platen roller assembly	1 set	1%
	98-0520013-00LF	Linerless platen roller assembly	Option	
2	36-0520011-00LF	Linerless guide platen roller	Option	1%
3	98-0520015-00LF	Black mark sensor assembly (for standard model)	1 set	1%
	98-0520016-00LF	Black mark sensor assembly (for linerless model)	Option	
4	37-1502004-G9LF	Screw, M2*4, MOQ 50 pcs	4 pcs	
5	30-0520021-00LF	Media cover	1 pc	
6	98-0520017-00LF	Peel-off module assembly	1 set	1%

5 Lower Cover Assemblies

No.	Part No.	Description	Remark	Spare parts
1	37-1503008-34LF	Screw, M3*8, MOQ 50 pcs	2 pcs	
2	98-0520012-00LF	Bluetooth module	1 set	1%
	98-0480047-20LF	Bluetooth module (4.0/ MFi/ RMA)	1 set	1%
3	98-0520052-6ALF	Main board assembly	1 set	3%
4	37-1402005-34LF	Screw, TP2*5, MOQ 50 pcs	2 pcs	
5	98-0520048-00LF	Charger board assembly	1 set	1%
6	30-0520023-00LF	Lower cover	1 pc	
7	72-0520010-01LF	Battery for RTC	1 set	
8	98-0520063-00LF	Wi-Fi module assembly (Including antenna)	1 set Option	1%
9	37-1502004-G9LF	Screw, M2*4, MOQ 50 pcs (Option)	1 pc	
10	72-0520026-00LF	Antenna (For Wi-Fi module)	1 set Option	



6 Accessories



No.	Part No.	Description	Remark	Spare parts
1	72-0480010-00LF	Mini USB cable	Option	
	72-0480008-00LF	RS-232 to mini USB cable	Option	
2	62-0520010-00LF	Vehicle power adaptor (12-24V)	Option	
	62-0620002-00LF	Vehicle power adaptor (12-60V)	Option	
3	98-0480050-01LF	Power adaptor/ EU	Option	1%
	98-0480050-04LF	Power adaptor/ UK	Option	
4	98-0520024-20LF	Charger station 1 cell/ US	Option	
	98-0520024-21LF	Charger station 1 cell/ EU	Option	
	98-0520024-22LF	Charger station 1 cell/ UK	Option	
	98-0520024-23LF	Charger station 1 cell/ AU	Option	
	98-0520024-28LF	Charger station 1 cell/ CN	Option	
5	98-0520025-20LF	Charger station 4 cell/ US	Option	
	98-0520025-21LF	Charger station 4 cell/ EU	Option	
	98-0520025-22LF	Charger station 4 cell/ UK	Option	
	98-0520025-23LF	Charger station 4 cell/ AU	Option	
	98-0520025-28LF	Charger station 4 cell/ CN	Option	
	98-0520025-29LF	Charger station 4 cell/ IN	Option	
6	98-0520014-00LF	Adapter for 0.75" & 1" paper core (standard for linerless model)	Option	

No.	Part No.	Description	Remark	Spare parts
N/S	98-0520033-00LF	IP-54 rated environmental case with shoulder strap (for standard model)	Option	
	36-0520020-00LF	IP-54 rated environmental case (for standard model)	Option	
	98-0520034-00LF	IP-54 rated environmental case with shoulder strap (for linerless model)	Option	
	36-0520023-00LF	IP-54 rated environmental case (for linerless model)	Option	
N/S	36-0520034-00LF	Shoulder strap	Option	
N/S	98-0520030-00LF	Belt strap (standard for linerless model)	Option	
N/S	98-0T80022-00LF	Cleaning pen (MOQ 12pcs/CTN)	Option	

N/S: Not shown

Update History

Date	Content	Editor
2013/10/29	Update main board assembly P/N from 98-0520052-20LF to 98-0520052-30LF	Camille
2013/12/27	<ul style="list-style-type: none"> * Modify vehicle power adaptor P/N from 62-0480010-00LF to 62-0520010-00LF * Modify power adaptor P/N * Modify charger station 1 cell P/N from 98-0520014-00LF to 98-0520024-00LF * Add charger station 4 cell P/N 	Camille
2014/1/7	* Add adapter for 0.75" & 1" paper core P/N	Camille
2014/1/24	Modify section 1 screws P/N	Camille
2014/4/8	Modify battery P/N from 52-0740576-00LF to 98-0520022-00LF	Camille
2014/5/19	<ul style="list-style-type: none"> * Modify IP-54 rated environmental case P/Ns * Add shoulder strap P/N 	Camille
2014/5/22	Add charger station P/Ns	Camille
2014/6/18	Modify top cover assembly/ LCD (for linerless model) P/N	Camille
2014/6/25	Modify battery P/N from 98-0520022-00LF to 98-0520040-00LF	Camille
2014/7/28	Modify main board assembly from 98-0520052-30LF to 98-0520052-52LF	Camille
2014/8/20	Modify the screw for stepping motor P/N from 37-1503006-34LF to 37-1503006-39LF	Camille
2014/9/3	Modify battery P/N from 98-0520040-00LF to 98-0520038-00LF	Camille
2014/12/24	<ul style="list-style-type: none"> * Modify charger station 1 cell P/N from 98-0520024-0xLF to 98-0520024-1xLF * Modify charger station 4 cell P/N from 98-0520025-0xLF to 98-0520025-1xLF 	Camille
2014/12/29	Remove charger station 4 cell P/Ns for CH & IT	Camille
2016/3/4	Modify power adaptor P/N from 62-0480012-0xLF to 62-0480012-1xLF	Camille

2016/4/6	* Modify Wi-Fi module assembly P/N from 98-0520051-20LF to 98-0520060-00LF(including antenna) * Modify antenna P/N (for Wi-Fi module) from 98-0520011-00LF to 72-0520026-00LF	Camille
2016/4/15	Modify media holder assembly P/N from 98-0520005-00LF to 98-0520062-00LF (Add 4 screws)	Camille
2017/1/6	Modify main board assembly P/N from 98-0520052-52LF to 98-0520052-62LF	Camille
2017/3/17	Modify Wi-Fi module assembly P/N from 98-0520060-00LF to 98-0520063-00LF (including antenna)	Camille
2017/5/18	Add head open sensor P/N	Camille
2017/7/14	Modify charger station 1 cell P/N from 98-0520024-1xLF to 98-0520024-2xLF	Camille
2017/9/1	Add Cleaning pen P/N	Kate
2017/10/17	Revise Power adaptor/ EU P/N from 62-0480012-11LF to 62-0480012-21LF	Kate
2018/3/7	Modify Cleaning pen (MOQ 12PCS/CTN) P/N from 36-0000100-00LF to 98-0T80022-00LF	Kate
2018/4/18	Modify Charger station 4 cell/ US P/N from 98-0520025-10LF to 98-0520025-20LF Modify Charger station 4 cell/ EU P/N from 98-0520025-11LF to 98-0520025-21LF Modify Charger station 4 cell/ UK P/N from 98-0520025-12LF to 98-0520025-22LF Modify Charger station 4 cell/ AU P/N from 98-0520025-13LF to 98-0520025-23LF	Kate

	Modify Charger station 4 cell/ CN P/N from 98-0520025-18LF to 98-0520025-28LF	
2018/8/14	Modify Battery for RTC P/N from 72-0520010-00LF to 72-0520010-01LF	Kate
2018/8/24	Modify Main board assembly P/N from 98-0520052-62LF to 98-0520052-6ALF	Kate
2018/9/21	Modify Vehicle power adaptor description to Vehicle power adaptor (12-24V)	Kate
2018/10/1	Add Vehicle power adaptor (12-60V) P/N	Kate
2020/1/13	Add Charger station 4 cell/ IN P/N	Kate
2020/4/21	Modify Power adaptor (EU) P/N from 62-0480012-21LF to 62-0480012-31LF	Camille
2020/4/30	Add Bluetooth module (4.0/ MFi) P/N	Camille
2020/7/3	Modify Power adaptor/ UK P/N from 62-0480012-14LF to 62-0480012-24LF	Linda
2020/7/8	Modify Power adaptor/ US P/N from 62-0480012-30LF to 62-0480012-40LF	Linda
2021/1/14	Delete 62-0480012-40LF, Power adaptor/ US Modify Power adaptor/ EU P/N from 62-0480012-31LF to 98-0480050-01LF Modify Power adaptor/ EU P/N from 62-0480012-24LF to 98-0480050-04LF Delete 62-0480012-12LF, Power adaptor/ CN Delete 62-0480012-13LF, Power adaptor/ AU	Linda



TSC Auto ID Technology Co., Ltd.

Corporate Headquarters

9F., No.95, Minquan Rd., Xindian Dist.,
New Taipei City 23141, Taiwan (R.O.C.)

TEL: +886-2-2218-6789

FAX: +886-2-2218-5678

Web site: www.tscprinters.com

E-mail: printer_sales@tscprinters.com
tech_support@tscprinters.com

Li Ze Plant

No.35, Sec. 2, Ligong 1st Rd., Wujie Township,
Yilan County 26841, Taiwan (R.O.C.)

TEL: +886-3-990-6677

FAX: +886-3-990-5577