

Mobile Barcode Printer

Alpha-3R

Direct Thermal

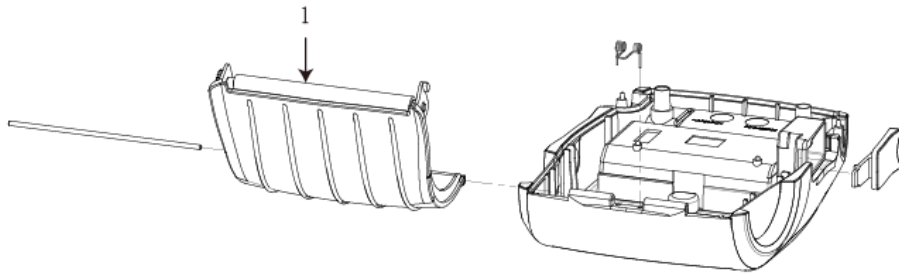
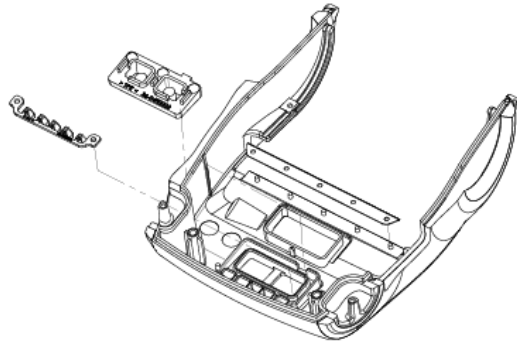


Parts List

Contents

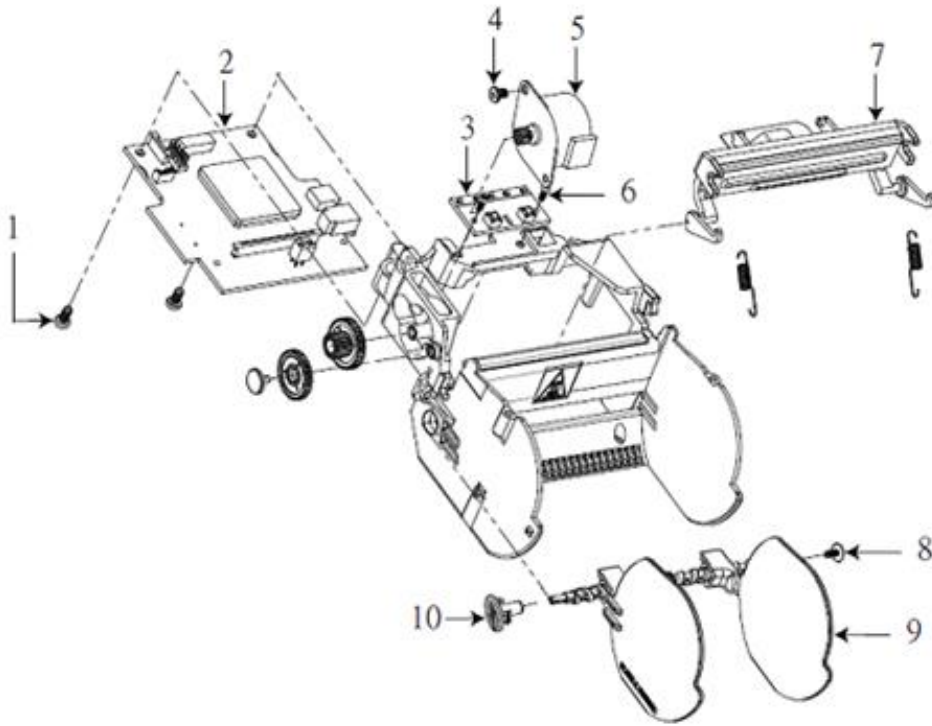
- 1 Printer Cover Assemblies..... 2
- 2 Internal Mechanism & Electronic Maintenance Kit..... 3
- 3 Options & Accessories 4
- Revision History..... 5

1 Printer Cover Assemblies



No.	Part No.	Description	Remark	Spare parts
1	98-0480006-10LF	Platen roller assembly (including media cover)	1 set	1%

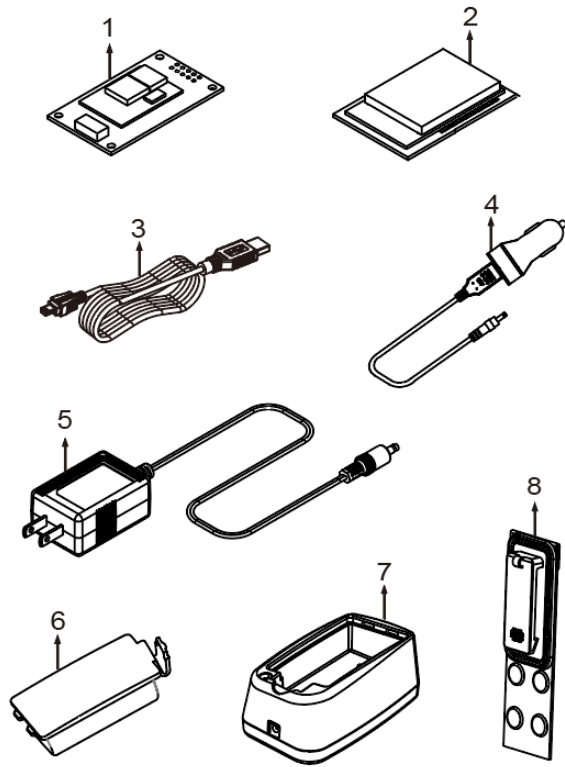
2 Internal Mechanism & Electronic Maintenance Kit



No.	Part No.	Description	Remark	Spare parts
1	37-1403006-34LF	Screw, TP3*6, MOQ 50 pcs	2 pcs	
2	98-0480048-6ALF	Main board assembly	1 pc	3%
	98-0480048-6CLF	Main board assembly (RTC connector)	1 pc	3%
3	98-0480013-00LF	Keys control board	1 pc	1%
4	37-1503008-24LF	Screw, M3*8, MOQ 50 pcs	2 pcs	
5	65-0480001-10LF	Stepping motor	1 set	1%
6	37-1402005-34LF	Screw, TP2*5, MOQ 50 pcs	2 pcs	
7	98-0480007-10LF	Print head assembly	1 set	5%
8	37-1402004-74LF	Screw, TP2*4, MOQ 50 pcs	1 pc	
9	98-0480005-00LF	Media holder	1 set	1%
10	30-0480011-00LF	Adjustment knob	1 pc	1%
N/S	98-0480011-30LF	Black mark sensor assembly (left side, center)	1 set	1%
	98-0480011-31LF	Black mark sensor assembly (right side)	1 set	1%
N/S	98-0480031-00LF	Open sensor kit (including platen roller ass'y)	1 set	3%

N/S: Not shown in the image.

3 Options & Accessories



No.	Part No.	Description	Remark	Spare parts
1	98-0480008-10LF	Bluetooth control board	Option	
	98-0480047-20LF	Bluetooth control board (4.0/ MFi)	Option	
2	98-0480026-00LF	Wi-Fi control board (including antenna)	Option	
N/S	72-0520026-00LF	Antenna for Wi-Fi module	Option	
3	72-0480010-00LF	Mini USB cable	Option	
	72-0480008-00LF	RS-232 cable	Option	
4	OP-P-CP-003-0001	P-CP-003, 12-24V DC VEHICLE POWER ADAPTOR (1PC/BAG)	Option	
	62-0620002-00LF	Vehicle power adaptor (12-60V)	Option	
	OP-P-CP-004-0001	P-CP-004, 12-60V DC VEHICLE OPEN END POWER SUPPLY (1SET/BOX)	Option	
5	98-0480050-01LF	Power adaptor/ EU	Option	
	98-0480050-04LF	Power adaptor/ UK	Option	
	62-0480012-25LF	Power adaptor/ IN	Option	
6	98-0480035-00LF,	Li-ion battery	Option	
	98-0480035-03LF	Li-ion battery/ EU	Option	
7	98-048B0016-00LF	Charger station 1 cell	Option	
N/S	98-0480028-10LF	Charger station 4 bay/ US	Option	
N/S	98-0480028-11LF	Charger station 4 bay/ EU	Option	
N/S	98-0480028-12LF	Charger station 4 bay/ UK	Option	
N/S	98-0480028-13LF	Charger station 4 bay/ AU	Option	
N/S	98-0480028-15LF	Charger station 4 bay/ TW	Option	
N/S	98-0480028-16LF	Charger station 4 bay/ IN	Option	
8	36-0480006-10LF	Belt clip	Standard	
N/S	98-0480018-10LF	IP-54 rated environmental case with shoulder strap	Option	
N/S	36-0480016-00LF	IP-54 rated environmental case	Option	
N/S	36-0480017-10LF	Shoulder strap	Option	
N/S	98-0T80022-00LF	Cleaning pen (MOQ 12pcs/CTN)	Option	

N/S: Not shown in the image.

Revision History

Date	Content	Editor
2012/12/19	<ul style="list-style-type: none"> * Modify black mark sensor assembly (left side, center) P/N from 98-0480011-00LF to 98-0480011-10LF * Modify black mark sensor assembly (right side) P/N from 98-0480011-01LF to 98-0480011-11LF * Clarify black mark sensor item name * Add Wifi control board 98-0480014-02LF 	Tina
2013/5/3	Modify black mark sensor assembly P/N from 98-0480011-10LF/-11LF to 98-0480011-20LF/-21LF	Camille
2013/5/15	<ul style="list-style-type: none"> * Modify Wifi control board P/N from 98-0480014-00LF to 98-0480014-10LF * Modify platen roller assembly P/N from 98-0480006-00LF to 98-0480006-10LF 	Camille
2013/10/17	* Modify black mark sensor assembly P/N from 98-0480011-20LF/21LF to 98-0480011-30LF/31LF	Camille
2014/4/8	Modify main board assembly P/N from 98-0480048-00LF to 98-0480048-10LF	Camille
2014/5/7	Modify Li-ion battery P/N from 52-0480001-00LF to 52-0480001-10LF	Camille
2014/7/9	<ul style="list-style-type: none"> * Modify the IP-54 rated environmental case with shoulder strap P/N from 36-0480008-00LF to 98-0480018-00LF * Add IP-54 rated environmental case P/N * Add shoulder strap P/N 	Camille
2014/7/29	Modify Li-ion battery P/N from 52-0480001-10LF to 52-0480001-20LF	Camille
2014/9/30	Modify main board assembly P/N from 98-0480048-10LF to 98-0480048-20LF	Camille
2014/12/26	Modify print head assembly P/N for 98-0480007-00LF to 98-0480007-10LF	Camille

Date	Content	Editor
2015/8/14	Modify vehicle power adaptor P/N from 62-0480010-00LF to 62-0520010-00LF	Camille
2016/1/15	Modify Li-ion battery P/N from 52-0480001-20LF to 52-0480001-30LF	Camille
2016/2/3	Add open sensor assembly P/N	Camille
2016/2/5	<ul style="list-style-type: none"> * Modify main board assembly P/N from 98-0480048-20LF to 98-0480048-30LF * Modify Wifi control board P/N from 98-0480014-10LF to 98-0480046-00LF * Add antenna P/N (for Wi-Fi module) 	Camille
2016/3/4	Modify power adaptor P/N from 62-0480012-0xLF to 62-0480012-1xLF	Camille
2016/4/6	Modify Wi-Fi control board P/N from 98-0480046-00LF to 98-0480026-00LF(including antenna)	Camille
2016/4/26	Modify main board assembly P/N from 98-0480048-30LF to 98-0480048-40LF	Camille
2016/6/24	Replace open sensor (98-0480012-20LF) to open sensor kit (98-0480031-00LF)	Camille
2016/11/10	Add main board assembly (RTC connector) P/N	Camille
2016/12/14	Modify main board assembly P/N from 98-0480048-40LF/42LF to 98-0480048-50LF/52LF	Camille
2017/7/14	Modify Li-ion battery P/N from 52-0480001-30LF to 52-0480001-40LF	Kate
2017/9/11	<ul style="list-style-type: none"> * Add Cleaning pen P/N * Revise Belt clip P/N from 36-0480006-00LF to 36-0480006-10LF 	Kate
2017/10/17	* Revise Power adaptor/ EU P/N from 62-0480012-11LF to 62-0480012-21LF	Kate
2017/11/21	* Revise Power adaptor/ US, JP P/N from 62-0480012-10LF to 62-0480012-20LF	Kate

Date	Content	Editor
2018/3/7	* Modify Cleaning pen (MOQ 12PCS/CTN) P/N from 36-0000100-00LF to 98-0T80022-00LF	Kate
2018/4/18	* Modify Power adaptor/ US, JP P/N from 62-0480012-20LF to 62-0480012-30LF * Modify Main board assembly P/N from 98-0480048-50LF to 98-0480048-60LF * Modify Main board assembly (RTC connector) P/N from 98-0480048-52LF to 98-0480048-62LF	Kate
2018/7/6	*Modify Bluetooth control board P/N from 98-0480008-00LF to 98-0480008-10LF	Kate
2018/8/24	*Modify Main board assembly P/N from 98-0480048-60LF to 98-0480048-6ALF *Modify Main board assembly (RTC connector) P/N from 98-0480048-62LF to 98-0480048-6CLF	Kate
2018/8/30	*Add Power adaptor/ IN P/N	Kate
2018/9/21	*Modify Vehicle power adaptor description to Vehicle power adaptor (12-24V)	Kate
2018/10/1	*Add Vehicle power adaptor (12-60V) P/N	Kate
2018/11/29	*Modify Power adaptor/ IN P/N from 62-0480012-15LF to 62-0480012-25LF *Add Li-ion battery/ KR and Li-ion battery/ IN P/N	Kate
2019/1/28	*Modify Li-ion battery P/N from 52-0480001-40LF to 98-0480035-00LF *Add Bluetooth control board (4.0/ Mfi) P/N	Kate
2019/4/10	*Modify Print head assembly P/N from 98-0480007-10LF to 98-0480049-00LF	Kate
2019/4/29	*Modify Bluetooth control board (4.0/ Mfi) P/N from 98-0480047-00LF to 98-0480047-20LF	Kate
2019/5/21	*Modify Print head assembly P/N from 98-0480049-00LF to 98-0480007-10LF	Kate
2020/1/13	*Add Charger station 4 bay/ US P/N *Add Charger station 4 bay/ EU P/N *Add Charger station 4 bay/ UK P/N	Kate

Date	Content	Editor
	*Add Charger station 4 bay/ AU P/N *Add Charger station 4 bay/ TW P/N *Add Charger station 4 bay/ IN P/N	
2020/4/21	* Modify Power adaptor(EU) P/N from 62-0480012-21LF to 62-0480012-31LF	Camille
2020/6/22	Modify IP-54 rated environmental case with shoulder strap P/N from 98-0480018-00LF to 98-0480018-10LF.	Linda
2020/7/3	Modify Power adaptor/ UK P/N from 62-0480012-14LF to 62-0480012-24LF	Linda
2020/7/8	Modify Power adaptor/ US, JP P/N from 62-0480012-30LF to 62-0480012-40LF	Linda
2021/1/14	Modify Power adaptor/ EU P/N from 62-0480012-31LF to 98-0480050-01LF Modify Power adaptor/ EU P/N from 62-0480012-24LF to 98-0480050-04LF Delete 62-0480012-40LF, Power adaptor/ US, JP Delete 62-0480012-12LF, Power adaptor/ CN Delete 62-0480012-13LF, Power adaptor/ AU Delete 62-0480012-25LF, Power adaptor/ IN Add 98-0480035-03LF, Li-ion battery/ EU Delete 98-0480035-00LF, Li-ion battery Delete 98-0480035-00LF, Li-ion battery / KR Delete 98-0480035-00LF, Li-ion battery / IN	Linda
2021/1/19	Add 98-0480035-00LF, Li-ion battery	Linda
2023/9/26	Update 12-24V DC VEHICLE POWER ADAPTOR P/N	Camille
2023/11/23	Updated part number and description for vehicle power adapter (OP-P-CP-003-0001), page 4. Added 12-60V DC vehicle open end power adapter supply part number OP-CP-004-0001 and its description, page 4.	Peter Yao
2023/12/13	Update the SUGGEST ATTACH RATE info.	Camille



www.tscprinters.com