

Mobile Barcode Printer

Alpha-30L(HC) Series

Direct Thermal

Series Models

Alpha-30L



Parts List

Copyright

©2023 TSC Auto ID Technology Co., Ltd.

The copyright in this manual, the software and firmware in the printer described are owned by TSC Auto ID Technology Co., Ltd. All rights reserved.

CG Triumvirate is a trademark of Agfa Corporation. CG Triumvirate Bold Condensed font is under license from the Monotype Corporation. Windows is a registered trademark of Microsoft Corporation.

All other trademarks are the property of their respective owners. Information in this document is subject to change without notice and does not represent a commitment on the part of TSC Auto ID Technology Co. No part of this manual may be reproduced or transmitted in any form or by any means, for any purpose other than the purchaser's personal use, without the expressed written permission of TSC Auto ID Technology Co.

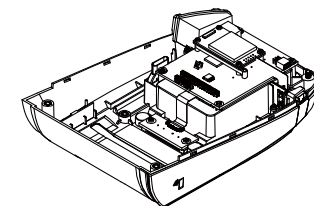
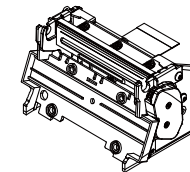
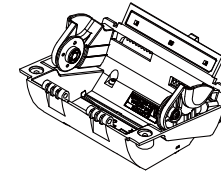
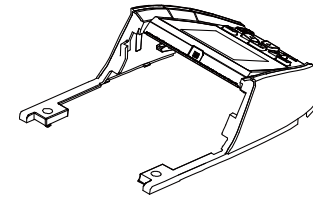
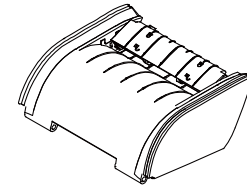


Contents

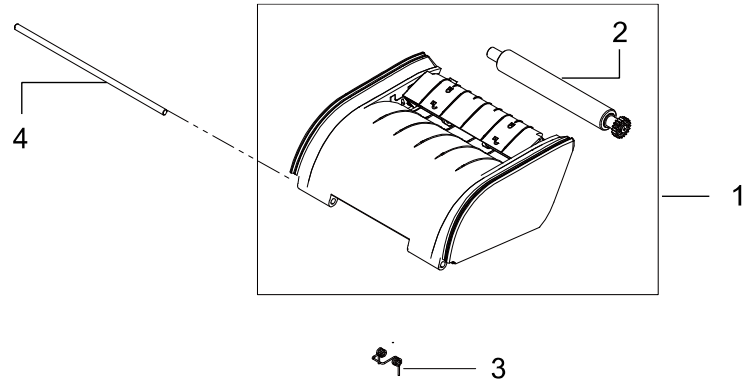
Illustrated Parts Breakdown	2
1. Media Cover Assemblies.....	3
2. Top Cover Assemblies	4
3. Media Holder Assemblies	5
4. Internal Mechanism Assemblies.....	6
5. Lower Cover Assemblies	7
6. Options and Accessories.....	8
Revision History	10

Illustrated Parts Breakdown

This document drawings of the electromechanical assemblies comprising the printer. The table following each illustration lists the illustrated parts and their part numbers.



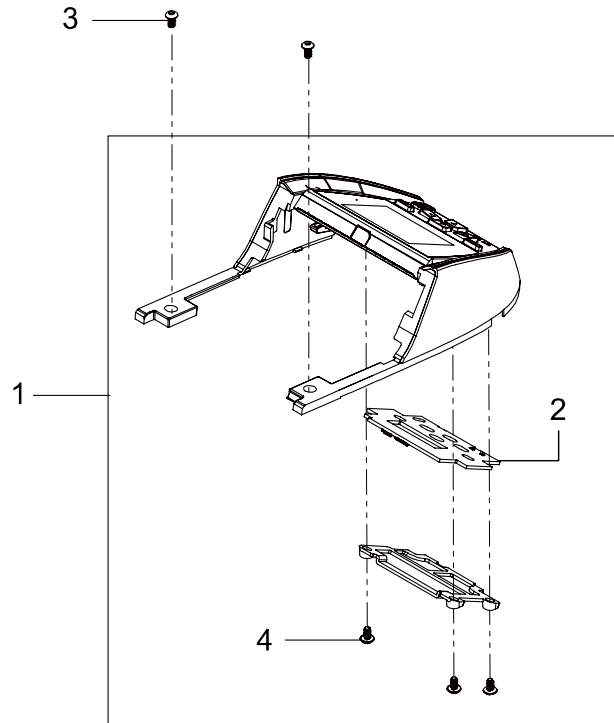
1. Media Cover Assemblies



NO.	PART NO.	DESCRIPTION	SUGGEST ATTACH RATE
1	SP-A30L-0001	MEDIA COVER ASSEMBLY (1SET/BAG)	3%
	SP-A30LHC-0001	MEDIA COVER ASSEMBLY, A30LHC (1SET/BAG)	3%
2	SP-A30L-0002	PLATEN ROLLER ASSEMBLY/ REGULAR (1SET/BAG)	3%
N/S	SP-A30L-0003	MEDIA COVER ASSEMBLY/ LINERLESS (1SET/BAG)	3%
	SP-A30LHC-0002	MEDIA COVER ASSEMBLY/ LINERLESS, A30LHC (1SET/BAG)	3%
N/S	SP-A30L-0004	PLATEN ROLLER ASSEMBLY/ LINERLESS (1SET/BAG)	3%
N/S	SP-A30L-0005	LINERLESS GUIDE ROLLER (1SET/BAG)	3%
3	SP-A30L-0006	TORSION SPRING (1SET/BAG)	1%
4	SP-A30L-0007	SHAFT (1SET/BAG)	1%

N/S: Not shown in the image.

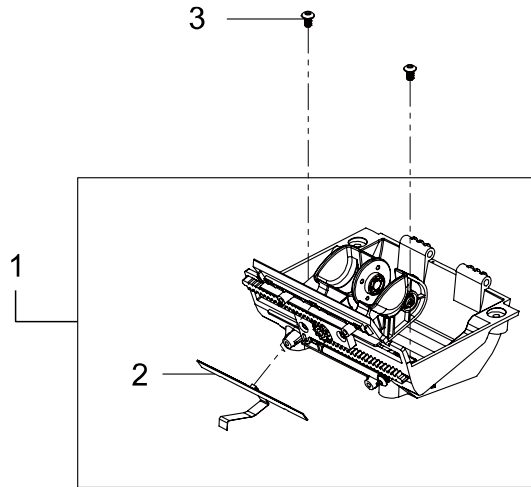
2. Top Cover Assemblies



NO.	PART NO.	DESCRIPTION	SUGGEST ATTACH RATE
1	SP-A30L-0008	TOP COVER ASSEMBLY/ FOR MFI BLUETOOTH MODEL (INCLUDING LCD ASSEMBLY) (1SET/BAG)	1%
	SP-A30LHC-0003	TOP COVER ASSEMBLY/ FOR MFI BLUETOOTH MODEL, A30LHC (INCLUDING LCD ASSEMBLY) (1SET/BAG)	1%
	SP-A30L-0009	TOP COVER ASSEMBLY/ FOR WI-FI + BT4.2 MODEL (INCLUDING LCD ASSEMBLY) (1SET/BAG)	1%
	SP-A30LHC-0004	TOP COVER ASSEMBLY/ FOR WI-FI + BT4.2 MODEL, A30LHC (INCLUDING LCD ASSEMBLY) (1SET/BAG)	1%
2	SP-A30L-0010	LCD BOARD PCB-A ASSEMBLY (1SET/BOX)	1%
3*	--	MACHINE SCREW, M3XL10MM/ HEX SOCKET TRUSS, BLACK ZN, NYLOK	
4*	--	SELF-TAPPING WASHER SCREW, TP3XL6XΨ7MM/ PHILLIPS ROUND, NI	

* Available only in Hardware Field Kit (P/N: SP-A30L-0040)

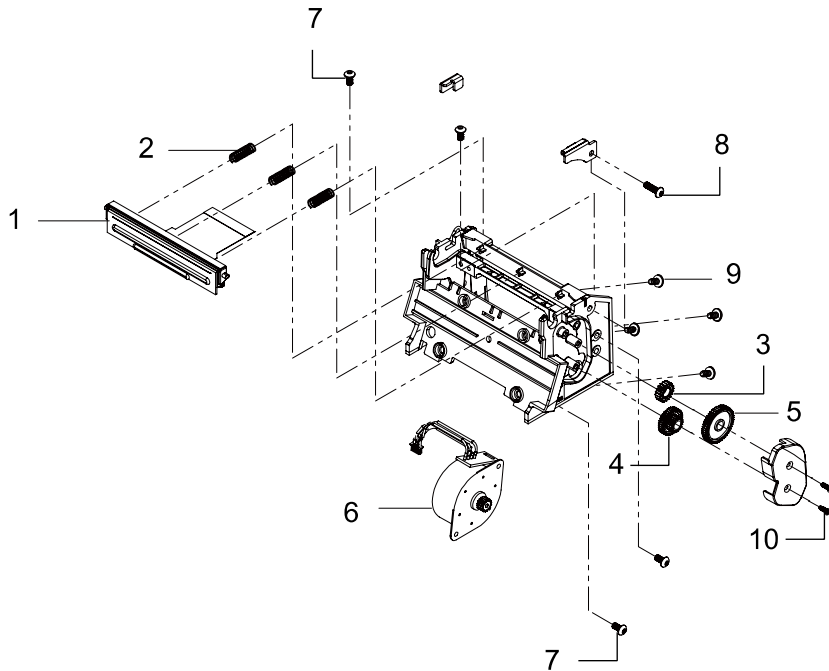
3. Media Holder Assemblies



NO.	PART NO.	DESCRIPTION	SUGGEST ATTACH RATE
1	SP-A30L-0011	MEDIA HOLDER ASSEMBLY (1SET/BAG)	5%
2	SP-A30L-0012	BLACK MARK SENSOR FPCB ASSEMBLY (TPH SIDE) (1SET/BAG)	3%
3*	--	MACHINE SCREW, M3XL6MM/ HEX SOCKET TRUSS, BLACK ZN, NYLOK	

* Available only in Hardware Field Kit (P/N: SP-A30L-0040)

4. Internal Mechanism Assemblies

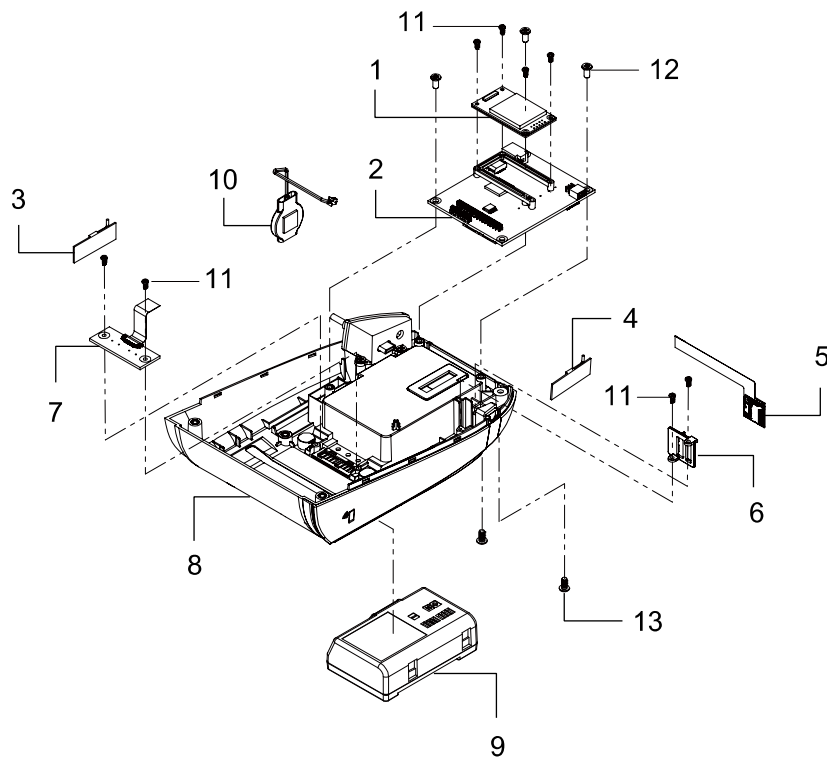


NO.	PART NO.	DESCRIPTION	SUGGEST ATTACH RATE
1	PH-A30L-0001	PRNTHD ASSY, ALPHA-30L (1SET/BOX)	5%
2	SP-A30L-0014	SPRING (1SET/BAG)	1%
3	SP-A30L-0015	GEAR, M0.5-20T (1SET/BAG)	1%
4	SP-A30L-0016	GEAR, M0.4-50T M0.5_18T (1SET/BAG)	1%
5	SP-A30L-0017	GEAR, M0.4-36T_20T (1SET/BAG)	1%
6	SP-A30L-0018	STEPPING MOTOR ASSEMBLY (1SET/BOX)	1%
N/S	SP-A30L-0019	HEAD OPEN SENSOR (1SET/BAG)	1%
7*	--	MACHINE SCREW, M3XL6MM/ HEX SOCKET TRUSS, BLACK ZN, NYLOK	
8*	--	MACHINE SCREW, M3XL10MM/ HEX SOCKET TRUSS, BLACK ZN, NYLOK	
9*	--	SELF-TAPPING WASHER SCREW, TP3XL6XΨ7MM/ PHILLIPS ROUND, NI	
10*	--	SELF-TAPPING SCREW, TP2XL6MM/ PHILLIPS FLAT, BLACK ZN	

N/S: Not shown in the image.

* Available only in Hardware Field Kit (P/N: SP-A30L-0040)

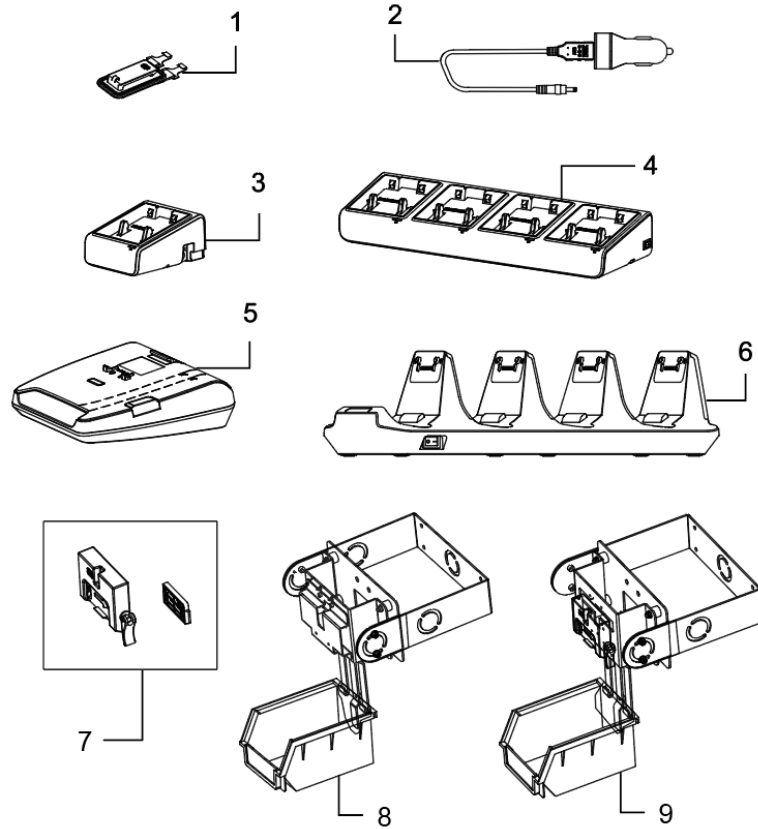
5. Lower Cover Assemblies



NO.	PART NO.	DESCRIPTION	SUGGEST ATTACH RATE
1	SP-A30L-0020	MFI BLUETOOTH 5.0 MODULE, NFC TAG (1SET/BOX)	1%
	SP-A30L-0021	802.11 a/b/g/n/ac Wi-Fi+BLUETOOTH 4.2 COMBO MODULE, NFC TAG, US (1SET/BOX)	1%
	SP-A30L-0022	802.11 a/b/g/n/ac Wi-Fi+BLUETOOTH 4.2 COMBO MODULE, NFC TAG, EU (EMEA) (1SET/BOX)	1%
	SP-A30L-0023	802.11 a/b/g/n/ac Wi-Fi+BLUETOOTH 4.2 COMBO MODULE, NFC TAG, CN (1SET/BOX)	1%
	SP-A30L-0024	802.11 a/b/g/n/ac Wi-Fi+BLUETOOTH 4.2 COMBO MODULE, NFC TAG, AU (1SET/BOX)	1%
2	SP-A30L-0025	MAIN BOARD ASSEMBLY, ALPHA-30L (1SET/BOX)	3%
3	SP-A30L-0026	ANTENNA PCB WITH 121.5MM CABLE (1SET/BOX)	1%
4	SP-A30L-0027	ANTENNA PCB WITH 76MM CABLE (1SET/BOX)	1%
5	SP-A30L-0028	MICROSD FPCB ASSEMBLY (1SET/BOX)	1%
6	SP-A30L-0029	MICROSD HOLDER (1SET/BAG)	1%
7	SP-A30L-0030	CRADLE CHARGE ADAPTER BOARD (1SET/BOX)	1%
8	SP-A30L-0031	LOWER COVER (1SET/BAG)	1%
	SP-A30LHC-0005	LOWER COVER, A30LHC (1SET/BAG)	1%
9	OP-P-SB-002-0001	P-SB-002 (SMART BATTERY FOR ALPHA-30L, TDM-BAT30S) (1SET/BOX)	5%
10	SP-A30L-0032	RTC BATTERY (1SET/BOX)	1%
11*	--	SELF-TAPPING SCREW, TP2XL4mm/ PHILLIPS ROUND, NI	
12*	--	SELF-TAPPING SCREW, TP3XL6mm/ PHILLIPS THIN, NI	
13*	--	MACHINE SCREW, M3XL10mm/ HEX SOCKET TRUSS, BLACK ZN, NYLOK	

* Available only in Hardware Field Kit (P/N: SP-A30L-0040)

6. Options and Accessories



N/S: Not shown in the image.

NO.	PART NO.	DESCRIPTION	SUGGEST ATTACH RATE
N/S	SP-A30L-0033	POWER ADAPTOR/ US (1PC/BOX)	
	SP-A30LHC-0006	IEC60601-1 POWER ADAPTOR, US (1PC/BAG)	
	SP-A30L-0034	POWER ADAPTOR/ EU (1PC/BOX)	
	SP-A30LHC-0007	IEC60601-1 POWER ADAPTOR, EU (1PC/BAG)	
	SP-A30L-0035	POWER ADAPTOR/ CN (1PC/BOX)	
	SP-A30L-0036	POWER ADAPTOR/ AU (1PC/BOX)	
	SP-A30L-0037	POWER ADAPTOR/ UK (1PC/BOX)	
	SP-A30LHC-0008	IEC60601-1 POWER ADAPTOR, UK (1PC/BAG)	
	SP-A30L-0038	POWER ADAPTOR/ KR (1PC/BOX)	
SP-A30L-0039	POWER ADAPTOR/ IN (1PC/BOX)		
1	OP-P-BCP-001-0001	P-BCP-001 (BELT CLIP)	
2	OP-P-CP-003-0001	P-CP-003, 12-24V DC VEHICLE POWER ADAPTOR (1PC/BAG)	
N/S	OP-P-CP-002-0001	P-CP-002 (12-60V AUTOMOBILE CIGARETTE LIGHTER PLUG) (1SET/BOX)	
N/S	OP-P-CP-004-0001	P-CP-004, 12-60V DC VEHICLE OPEN END POWER SUPPLY (1SET/BOX)	
3	OP-P-BC1-001-1001	P-BC1-001 (1-SLOT BATTERY CHARGER STATION, US) (1SET/BOX)	
	OP-P-BC1-001-2001	P-BC1-001 (1-SLOT BATTERY CHARGER STATION, EU (EMEA)) (1SET/BOX)	
	OP-P-BC1-001-3001	P-BC1-001 (1-SLOT BATTERY CHARGER STATION, UK (EMEA)) (1SET/BOX)	
	OP-P-BC1-001-4001	P-BC1-001 (1-SLOT BATTERY CHARGER STATION, AU) (1SET/BOX)	
	OP-P-BC1-001-A001	P-BC1-001 (1-SLOT BATTERY CHARGER STATION, CN) (1SET/BOX)	
	OP-P-BC1-001-B001	P-BC1-001 (1-SLOT BATTERY CHARGER STATION, KR) (1SET/BOX)	
	OP-P-BC1-001-C001	P-BC1-001 (1-SLOT BATTERY CHARGER STATION, IN) (1SET/BOX)	
	OP-P-BC1-001-H001	P-BC1-001 (1-SLOT BATTERY CHARGER STATION, TW) (1SET/BOX)	
	OP-P-BC1-001-K001	P-BC1-001 (1-SLOT BATTERY CHARGER STATION, EU (APAC)) (1SET/BOX)	
	OP-P-BC1-001-L001	P-BC1-001 (1-SLOT BATTERY CHARGER STATION, UK (APAC)) (1SET/BOX)	
	OP-P-BC1-001-M001	P-BC1-001 (1-SLOT BATTERY CHARGER STATION, UK (MY)) (1SET/BOX)	

NO.	PART NO.	DESCRIPTION	SUGGEST ATTACH RATE	
4	OP-P-BC4-001-1001	P-BC4-001 (4-SLOT BATTERY CHARGER STATION, US)		
	OP-P-BC4-001-2001	P-BC4-001 (4-SLOT BATTERY CHARGER STATION, EU (EMEA))		
	OP-P-BC4-001-3001	P-BC4-001 (4-SLOT BATTERY CHARGER STATION, UK (EMEA))		
	OP-P-BC4-001-4001	P-BC4-001 (4-SLOT BATTERY CHARGER STATION, AU)		
	OP-P-BC4-001-A001	P-BC4-001 (4-SLOT BATTERY CHARGER STATION, CN)		
	OP-P-BC4-001-B001	P-BC4-001 (4-SLOT BATTERY CHARGER STATION, KR)		
	OP-P-BC4-001-C001	P-BC4-001 (4-SLOT BATTERY CHARGER STATION, IN)		
	OP-P-BC4-001-H001	P-BC4-001 (4-SLOT BATTERY CHARGER STATION, TW)		
	OP-P-BC4-001-K001	P-BC4-001 (4-SLOT BATTERY CHARGER STATION, EU (APAC))		
	OP-P-BC4-001-L001	P-BC4-001 (4-SLOT BATTERY CHARGER STATION, UK (APAC))		
	OP-P-BC4-001-M001	P-BC4-001 (4-SLOT BATTERY CHARGER STATION, UK (MY))		
	5	OP-P-DC1-001-1001	P-DC1-001 (1-SLOT DOCKING CRADLE, US)	
		OP-P-DC1-001-2001	P-DC1-001 (1-SLOT DOCKING CRADLE, EU (EMEA))	
OP-P-DC1-001-3001		P-DC1-001 (1-SLOT DOCKING CRADLE, UK (EMEA))		
OP-P-DC1-001-4001		P-DC1-001 (1-SLOT DOCKING CRADLE, AU)		
OP-P-DC1-001-A001		P-DC1-001 (1-SLOT DOCKING CRADLE, CN)		
OP-P-DC1-001-B001		P-DC1-001 (1-SLOT DOCKING CRADLE, KR)		
OP-P-DC1-001-C001		P-DC1-001 (1-SLOT DOCKING CRADLE, IN)		
OP-P-DC1-001-H001		P-DC1-001 (1-SLOT DOCKING CRADLE, TW)		
OP-P-DC1-001-K001		P-DC1-001 (1-SLOT DOCKING CRADLE, EU (APAC))		
OP-P-DC1-001-L001		P-DC1-001 (1-SLOT DOCKING CRADLE, UK (APAC))		
OP-P-DC1-001-M001		P-DC1-001 (1-SLOT DOCKING CRADLE, UK (MY))		

NO.	PART NO.	DESCRIPTION	SUGGEST ATTACH RATE
6	OP-P-DC4-001-1001	P-DC4-001 (4-SLOT DOCKING CRADLE, US)	
	OP-P-DC4-001-2001	P-DC4-001 (4-SLOT DOCKING CRADLE, EU (EMEA))	
	OP-P-DC4-001-3001	P-DC4-001 (4-SLOT DOCKING CRADLE, UK (EMEA))	
	OP-P-DC4-001-4001	P-DC4-001 (4-SLOT DOCKING CRADLE, AU)	
	OP-P-DC4-001-A001	P-DC4-001 (4-SLOT DOCKING CRADLE, CN)	
	OP-P-DC4-001-B001	P-DC4-001 (4-SLOT DOCKING CRADLE, KR)	
	OP-P-DC4-001-C001	P-DC4-001 (4-SLOT DOCKING CRADLE, IN)	
	OP-P-DC4-001-H001	P-DC4-001 (4-SLOT DOCKING CRADLE, TW)	
	OP-P-DC4-001-K001	P-DC4-001 (4-SLOT DOCKING CRADLE, EU (APAC))	
	OP-P-DC4-001-L001	P-DC4-001 (4-SLOT DOCKING CRADLE, UK (APAC))	
	OP-P-DC4-001-M001	P-DC4-001 (4-SLOT DOCKING CRADLE, UK (MY))	
N/S	OP-P-EC-001-0001	P-EC-001 (PROTECTIVE CASE WITH SHOULDER STRAP FOR ALPHA-30L)	
N/S	OP-P-SS-001-0001	P-SS-001 (SHOULDER STRAP)	
N/S	OP-P-BEM-001-0001	P-BEM-001 (12V-48V DC-DC POWER ADAPTOR FOR ALPHA-30L, P-BEM-001)	
N/S	OP-P-BEM-003-0001	P-BEM-003, 12V-48V WIRE TO WIRE BATTERY ELIMINATOR WITH POWER SUPPLY, A30L/A30R/TDM-30 (1SET/BOX)	
N/S	OP-P-BEM-006-0001	P-BEM-006, WIRE TO WIRE DUMMY BATTERY PACK, A30L/A30R/TDM-30 (1SET/BOX)	
N/S	OP-P-VM-001-0001	P-VM-001 (VEHICLE MOUNT ADAPTER FOR ALPHA-30L)	
7	OP-P-VM-015-0001	P-VM-015, QUICK RELEASE VEHICLE MOUNT KIT (1SET/BOX)	
8	OP-P-MH-002-0001	P-MH-002, EXTERNAL FANFOLD MEDIA HOLDER WITH EXPANSION KIT (1SET/BOX)	
9	OP-P-MH-003-0001	P-MH-003, EXTERNAL FANFOLD MEDIA HOLDER WITH QUICK RELEASE VEHICLE MOUNT KIT (1SET/BOX)	
N/S	SP-COM-0001	CLEANING PEN (12PCS/CTN)	
N/S	SP-A30L-0040	FIELD KIT, HARDWARE, ALPHA-30L	
N/S	OP-P-MCA-001-0001	0.75 INCH MEDIA CORE ADAPTOR	
N/S	OP-P-MCA-003-0001	1 INCH + 1.5 INCH MEDIA CORE ADAPTOR	

Revision History

Date	Content	Editor
2020/12/15	Add FIELD KIT, HARDWARE P/N	Camille
2021/5/19	Add OP-P-MCA-001-0001, 0.75INCH MEDIA CORE ADAPTOR	Linda
2023/9/26	Update 12-24V DC VEHICLE POWER ADAPTOR P/N	Camille
2023/11/23	<ul style="list-style-type: none"> ◆ Update MFi BLUETOOTH 5.0 MODULE, NFC TAG description ◆ Add 12-60V DC VEHICLE OPEN END POWER SUPPLY P/N ◆ Add 12V-48V WIRE TO WIRE BATTERY ELIMINATOR WITH POWER SUPPLY P/N ◆ Add WIRE TO WIRE DUMMY BATTERY PACK P/N ◆ Add QUICK RELEASE VEHICLE MOUNT KIT P/N ◆ Add EXTERNAL FANFOLD MEDIA HOLDER WITH EXPANSION KIT P/N ◆ Add EXTERNAL FANFOLD MEDIA HOLDER WITH QUICK RELEASE VEHICLE MOUNT KIT P/N ◆ Add 1 INCH + 1.5 INCH MEDIA CORE ADAPTOR P/N 	Camille
2023/12/13	Add SUGGEST ATTACH RATE info.	Camille
2023/12/13	Add Alpha-30L Healthcare(HC) P/Ns	Camille



www.tscprinters.com