

Mobile Barcode Printer

# Alpha-2R

Direct Thermal

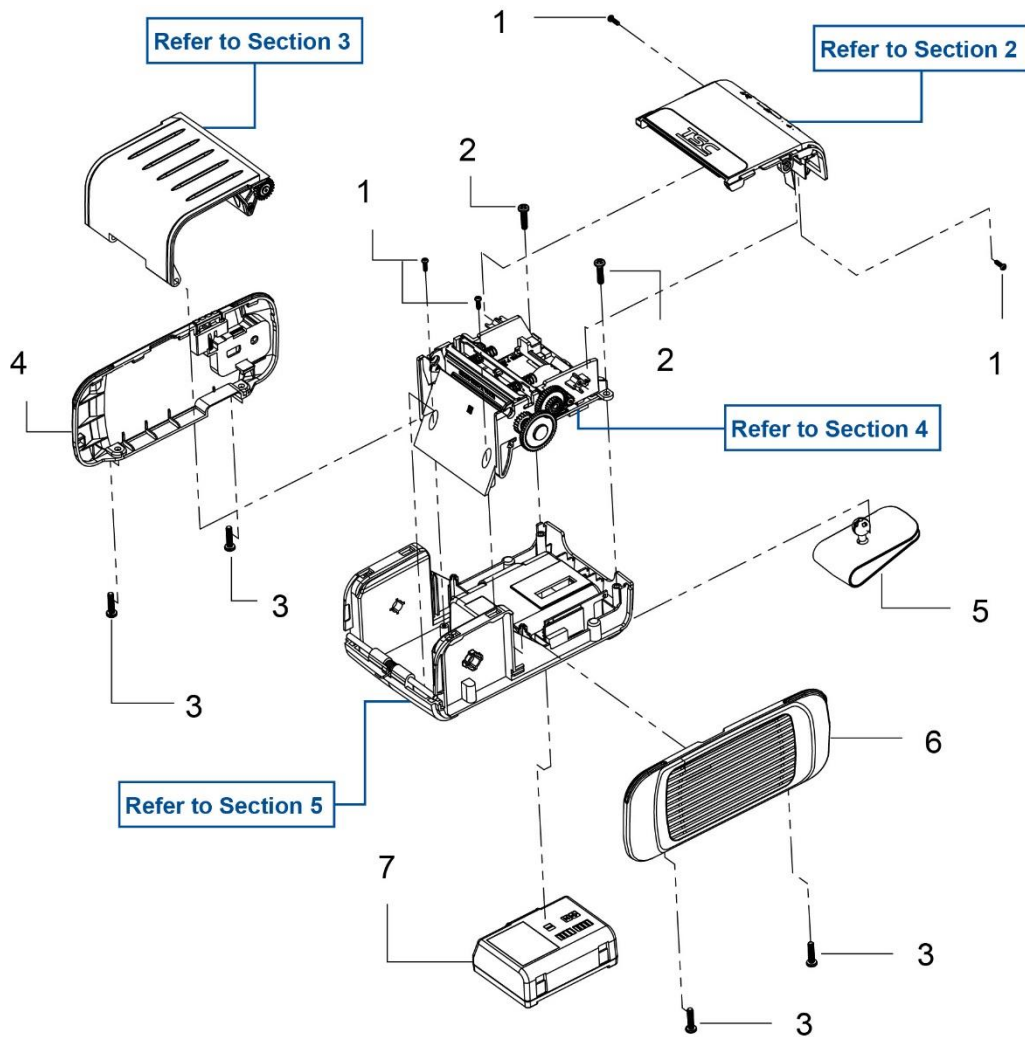


**Parts List**

# Contents

- 1 Main Printer Assembly..... 1
- 2 Top Cover Assembly..... 2
- 3 Media Cover Assembly ..... 3
- 4 Internal Mechanism Assembly ..... 4
- 5 Lower Cover Assembly..... 5
- 6 Accessories..... 6
- Revision History..... 8

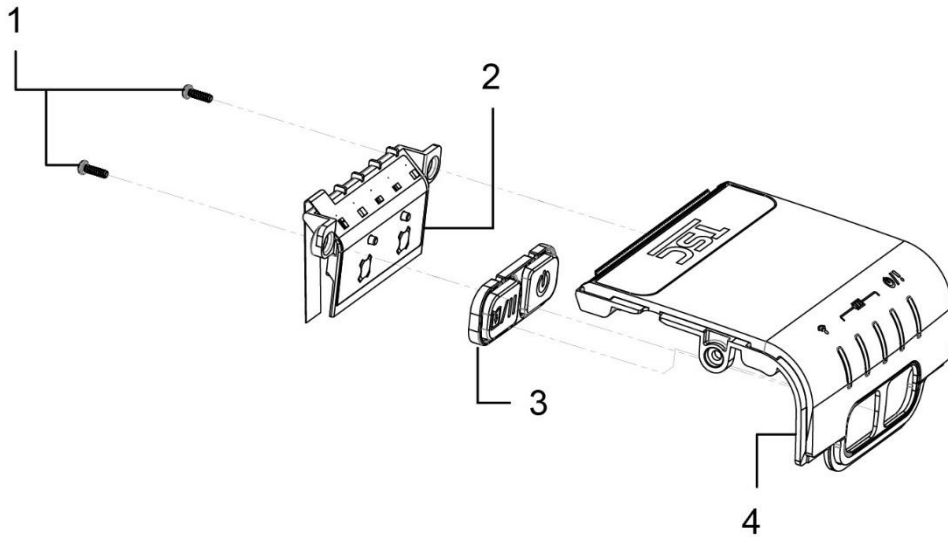
# 1 Main Printer Assembly



NO.	PART NO.	DESCRIPTION	SUGGESTED ATTACH RATE
1*	--	SCREW, TP2X6	
2*	--	SCREW, TP3.0XL12	
3*	--	SCREW, TP3X10	
4	SP-A2R-0001	LEFT SIDE COVER ASSY (3SETS/BOX)	1%
5	OP-P-BCP-004-0001	P-BCP-004, BELT CLIP (10PCS/BOX)	1%
6	SP-A2R-0002	RIGHT SIDE COVER (3PCS/BOX)	1%
7	OP-P-RB-003-0001	P-RB-003, REGULAR BATTERY (1SET/BOX)	1%

\* Available only in Hardware Field Kit (P/N: SP-A2R-0022)

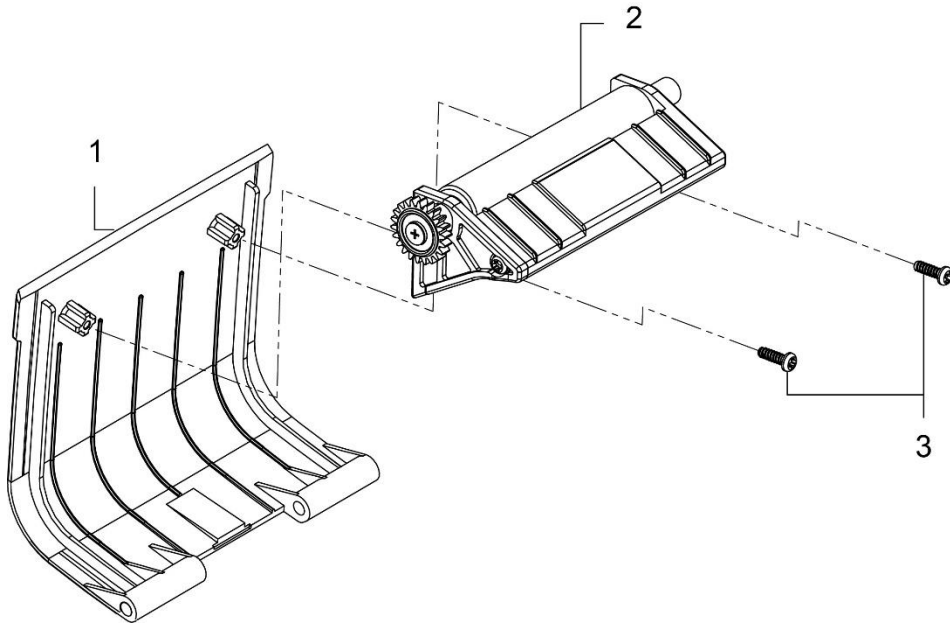
## 2 Top Cover Assembly



NO.	PART NO.	DESCRIPTION	SUGGESTED ATTACH RATE
1*	--	SCREW, TP2X6	
2	SP-A2R-0003	LED AND KEYS PANEL BOARD ASSY (1SET/BOX)	1%
3	SP-A2R-0004	KEYS BUTTON (10PCS/BOX)	1%
4	SP-A2R-0005	TOP COVER ASSY (1SET/BOX)	1%

\* Available only in Hardware Field Kit (P/N: SP-A2R-0022)

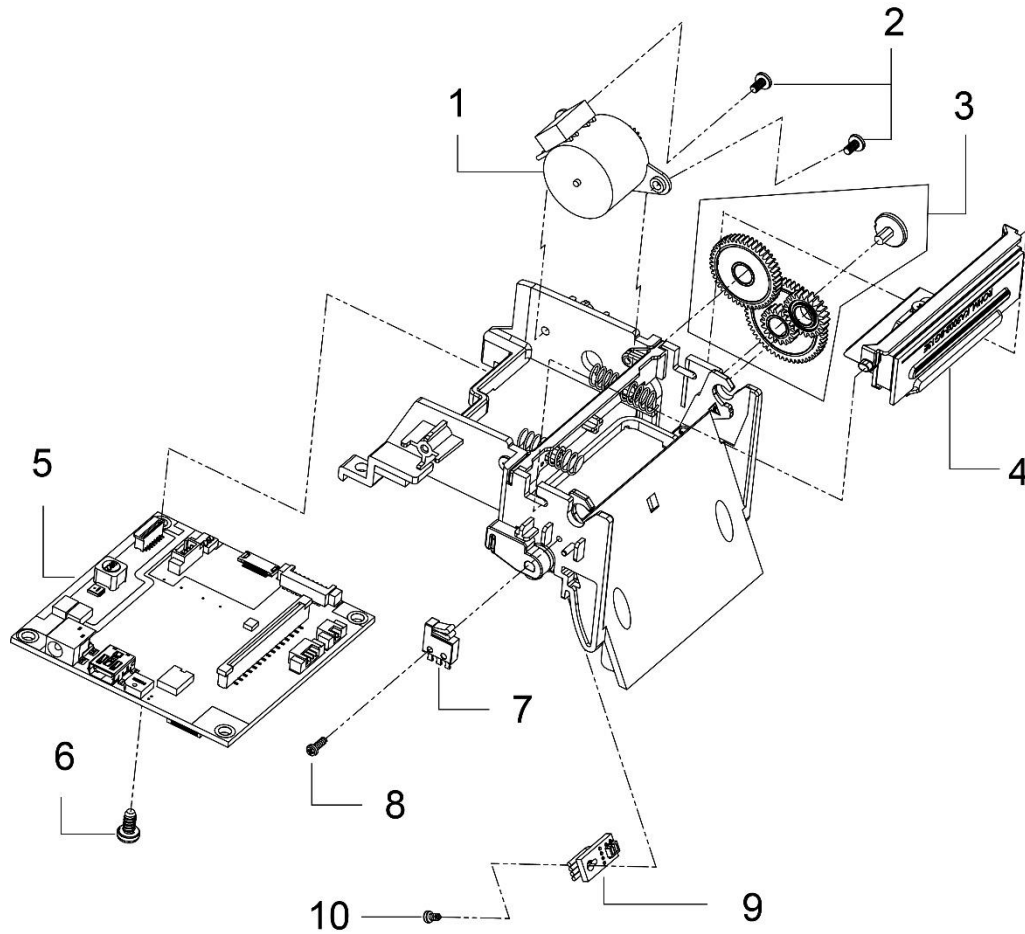
### 3 Media Cover Assembly



No.	Part No.	DESCRIPTION	SUGGESTED ATTACH RATE
1	SP-A2R-0006	MEDIA COVER (10PCS/BOX)	3%
2	SP-A2R-0007	PLATEN ROLLER ASSY (1SET/BOX)	3%
	SP-A2R-0008	PLATEN ROLLER ASSY, FOR LINERLESS (1SET/BOX)	3%
3*	--	SCREW, TP2X6	

\* Available only in Hardware Field Kit (P/N: SP-A2R-0022)

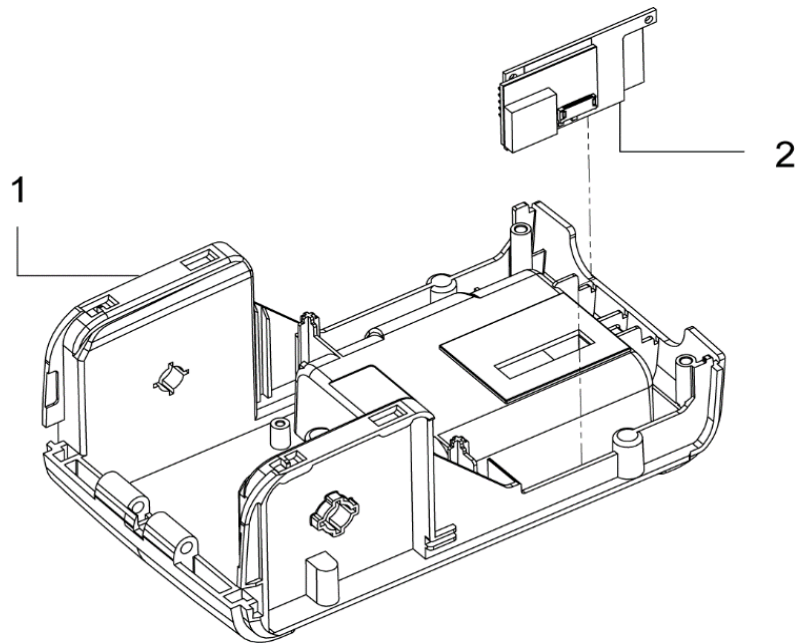
## 4 Internal Mechanism Assembly



NO.	PART NO.	DESCRIPTION	SUGGESTED ATTACH RATE
1	SP-A2R-0009	STEPPING MOTOR ASSY (1SET/BOX)	1%
2*	--	SCREW, M2X4	
3	SP-A2R-0010	GEAR ASSY (1SET/BOX)	1%
4	PH-A2R-0001	PRINthead ASSY (1SET/BOX)	3%
5	SP-A2R-0011	MAIN BOARD ASSY (1SET/BOX)	3%
6*	--	SCREW, TP3X6	
7	SP-A2R-0012	MEDIA COVER OPEN SENSOR ASSY (1SET/BOX)	1%
8*	--	SCREW, TP1.7X5	
9	SP-A2R-0013	BLACK MARK SENSOR ASSY (1SET/BOX)	1%
10*	--	SCREW, PTS 1.7X3 $\phi$ 2.85	

\* Available only in Hardware Field Kit (P/N: SP-A2R-0022)

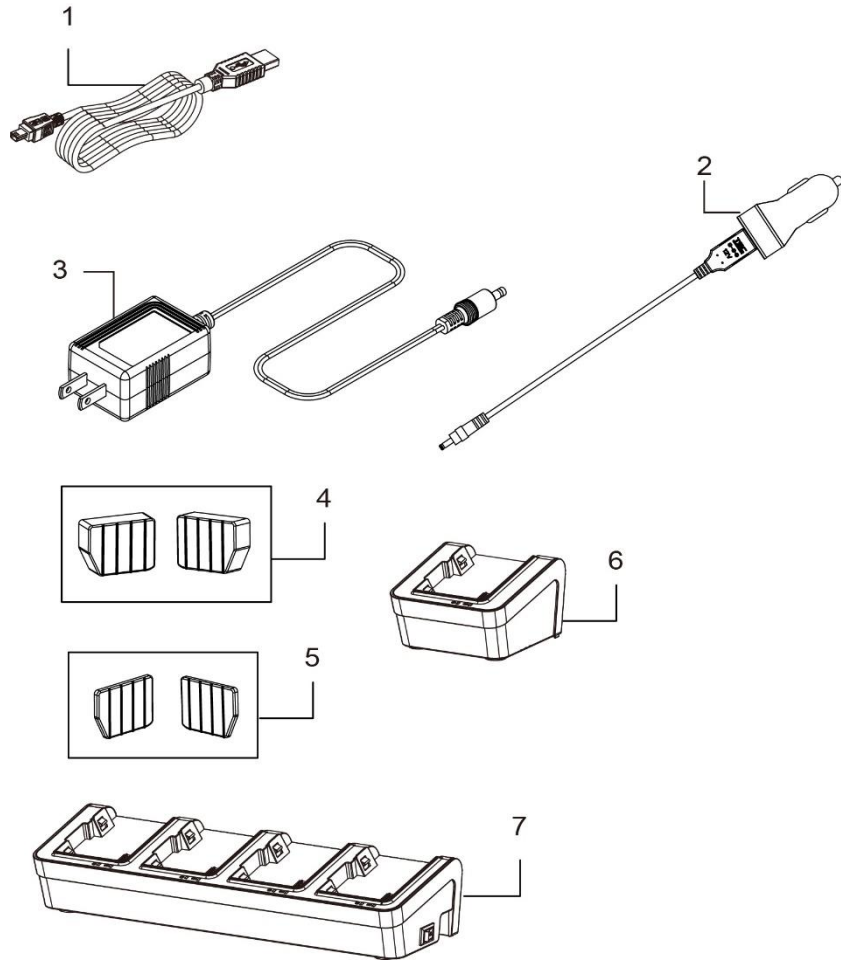
## 5 Lower Cover Assembly



NO.	PART NO.	DESCRIPTION	SUGGESTED ATTACH RATE
1	SP-A2R-0014	LOWER COVER (1PC/BOX)	1%
2	SP-A2R-0015	BLUETOOTH MODULE (1SET/BOX)	1%
	SP-A2R-0016	BLUETOOTH MODULE, FOR MFI BLUETOOTH MODEL (1SET/BOX)	1%
	SP-A2R-0017	WI-FI MODULE (1SET/BOX)	1%
N/S	SP-A2R-0018	WI-FI MODULE ANTENNA (1SET/BOX)	1%

\* N/S: Not shown in the image.

## 6 Accessories



NO.	PART NO.	DESCRIPTION	SUGGESTED ATTACH RATE
1	SP-COM-0013	MINI USB CABLE, 1M (1PC/BAG)	
N/S	SP-COM-0014	RS232 TO MINI USB CABLE, 1M (1PC/BAG)	

NO.	PART NO.	DESCRIPTION	SUGGESTED ATTACH RATE
N/S	OP-P-CP-002-0001	P-CP-002, 12-60V DC VEHICLE POWER ADAPTOR (1PC/BAG)	
2	OP-P-CP-003-0001	P-CP-003, 12-24V DC VEHICLE POWER ADAPTOR (1PC/BAG)	
N/S	OP-P-CP-004-0001	P-CP-004, 12-60V DC VEHICLE OPEN END POWER SUPPLY (1SET/BOX)	
3	SP-COM-1003	POWER ADAPTOR, 12V/1A, US (1PC/BOX)	
	SP-COM-2003	POWER ADAPTOR, 12V/1A, EU (1PC/BOX)	
	SP-COM-3003	POWER ADAPTOR, 12V/1A, UK (1PC/BOX)	
	SP-COM-4003	POWER ADAPTOR, 12V/1A, AU (1PC/BOX)	
	SP-COM-A003	POWER ADAPTOR, 12V/1A, CN (1PC/BOX)	
	SP-COM-B003	POWER ADAPTOR, 12V/1A, KR (1PC/BOX)	
	SP-COM-C003	POWER ADAPTOR, 12V/1A, IN (1PC/BOX)	
4	OP-P-MS-003-0001	P-MS-003, MEDIA SPACER, FOR 1-INCH WIDE MEDIA (3SETS/BOX)	
5	OP-P-MS-004-0001	P-MS-004, MEDIA SPACER, FOR 2-INCH WIDE MEDIA (3SETS/BOX)	
6	OP-P-BC1-002-1001	P-BC1-002, 1-SLOT BATTERY CHARGER STATION, US (1SET/BOX)	
	OP-P-BC1-002-2001	P-BC1-002, 1-SLOT BATTERY CHARGER STATION, EU (EMEA) (1SET/BOX)	
	OP-P-BC1-002-3001	P-BC1-002, 1-SLOT BATTERY CHARGER STATION, UK (EMEA) (1SET/BOX)	
	OP-P-BC1-002-4001	P-BC1-002, 1-SLOT BATTERY CHARGER STATION, AU (1SET/BOX)	
	OP-P-BC1-002-A001	P-BC1-002, 1-SLOT BATTERY CHARGER STATION, CN (1SET/BOX)	



NO.	PART NO.	DESCRIPTION	SUGGESTED ATTACH RATE
7	OP-P-BC4-003-1001	P-BC4-003, 4-SLOT BATTERY CHARGER STATION, US (1SET/BOX)	
	OP-P-BC4-003-2001	P-BC4-003, 4-SLOT BATTERY CHARGER STATION, EU (EMEA) (1SET/BOX)	
	OP-P-BC4-003-3001	P-BC4-003, 4-SLOT BATTERY CHARGER STATION, UK (EMEA) (1SET/BOX)	
	OP-P-BC4-003-4001	P-BC4-003, 4-SLOT BATTERY CHARGER STATION, AU (1SET/BOX)	
	OP-P-BC4-003-A001	P-BC4-003, 4-SLOT BATTERY CHARGER STATION, CN (1SET/BOX)	
N/S	OP-P-EC-006-0001	P-EC-006, PROTECTIVE CASE WITH SHOULDER STRAP (1SET/BAG)	
N/S	OP-P-SS-003-0001	P-SS-003, SHOULDER STRAP, FOR TDM-20/TDM-30/ALPHA-2R (3SETS/BAG)	
N/S	SP-COM-0001	CLEANING PEN (12PCS/BOX)	
N/S	SP-A2R-0019	PACKING CARTON, FOR 12 SETS PACKAGE (3PCS/SET)	
N/S	SP-A2R-0020	PACKING CARTON, FOR 1 SET PACKAGE (5PCS/SET)	
N/S	SP-A2R-0021	CUSHION PACKING (10PCS/BAG)	
N/S	SP-A2R-0022	FIELD KIT, HARDWARE (1SET/BAG)	

\* N/S: Not shown in the image.

# Revision History

Date	Content	Editor
2022/12/05	Updated the part numbers.	Peter Yao
2022/12/08	Updated the image for the accessories on page 6.	Peter Yao
2023/01/30	<ul style="list-style-type: none"><li>Changed the part number SP-COM-0014 as N/S (Not shown in the image) on page 6.</li><li>Updated the images for the accessories and adjusted the item numbers on page 6 and 7.</li></ul>	Peter Yao
2023/05/09	Changed the terminology "CTN" to "BOX" for all instances in this list.	Peter Yao
2023/11/23	Added new power supply (Part Number: OP-P-CP-004-0001), page 6.	Peter Yao
2023/12/13	Updated data for "Suggested Attach Rate", page 1, 2, 3, 4, and 5.	Peter Yao



[www.tscprinters.com](http://www.tscprinters.com)